

DATA SHEET

MODULETEK: MT2011-CWDM-OADM1

MT2011-CWDM-OADM1 Overview

The MT2011 CWDM series coarse-wavelength division multiplexer is a low-cost WDM transmission scheme with selectable wavelengths from 1271nm to 1611nm and channel spacing of 20nm. The low-loss and high-bandwidth characteristics of single-mode fiber are used to couple different wavelengths of light into one fiber for transmission, which effectively improves the utilization of the fiber and reduces the network operation cost.

MT2011-CWDM-OADM1 has only one channel. The main function is to separate and insert one optional wavelength from the multi-wavelength channel, allowing different wavelength signals of different optical networks to be inserted and multiplexed at different locations. Easy network upgrade and scale up. The product has excellent performance, small insertion loss, high isolation, stable performance, small delay and simple use. The shape is LGX chassis, which can be easily installed into a conventional cabinet. According to the needs, you can also choose 3 special ports, which are pass port, monitor port and 1310 port. The pass port can be used to further expand the network bandWide; the monitor port can be used to monitor the optical power of the service port; The 1310 port can be used for traditional 1310nm 1G/10G/40G/100G rate signal transmission.

Product Features

LGX chassis

Single wavelength channel, customizable special port

Low optical insertion loss

Passive, no electric power required

Duplex LC/UPC connectors

Operating temperature range : 0°C to 70°C

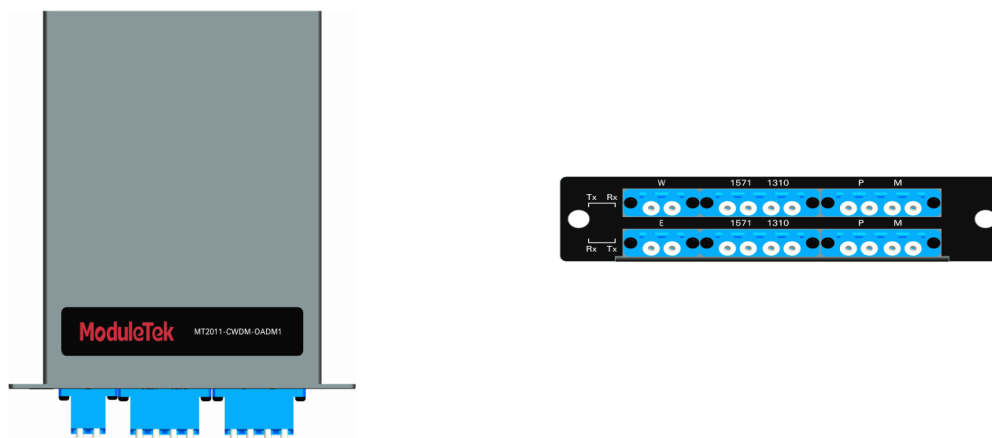
Ordering Information

Part Number	Description
MT2011-CWDM-OADM1-1471	Single channel(1471) optical add/drop multiplexer, with pass port, monitor port and 1310 port, LC connectors
MT2011-CWDM-OADM1-1491	Single channel(1491) optical add/drop multiplexer, with pass port, monitor port and 1310 port, LC connectors
MT2011-CWDM-OADM1-1511	Single channel(1511) optical add/drop multiplexer, with pass port, monitor port and 1310 port, LC connectors
MT2011-CWDM-OADM1-1531	Single channel(1531) optical add/drop multiplexer, with pass port, monitor port and 1310 port, LC connectors
MT2011-CWDM-OADM1-1551	Single channel(1551) optical add/drop multiplexer, with pass port, monitor port and 1310 port, LC connectors
MT2011-CWDM-OADM1-1571	Single channel(1571) optical add/drop multiplexer, with pass port, monitor port and 1310 port, LC connectors
MT2011-CWDM-OADM1-1591	Single channel(1591) optical add/drop multiplexer, with pass port, monitor port and 1310 port, LC connectors
MT2011-CWDM-OADM1-1611	Single channel(1611) optical add/drop multiplexer, with pass port, monitor port and 1310 port, LC connectors
<p>Notes:</p> <ol style="list-style-type: none"> 1.The channel wavelength of the product in the above table and the special port are the default solutions for this model. We can also customize other solutions for customers with special requirements. 2.Special ports have pass port, monitor port and 1310 port; channel wavelengths can be continuously selected from 1271nm-1611nm. 3.When your custom wavelength range covers 1310nm, the 1310 special port will not be customizable. 	
<p>For More Information: ModuleTek Limited Web: www.moduletek.com Email: sales@moduletek.com</p>	

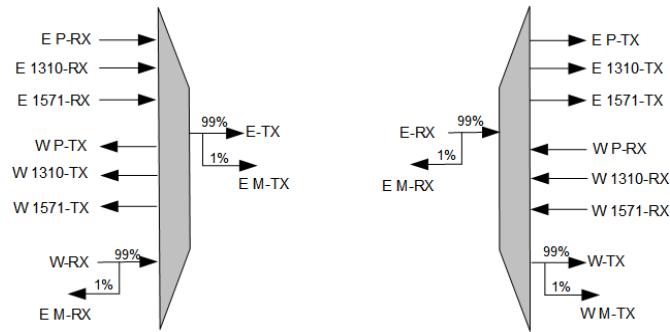
General Specifications

Parameter	Spec		Unit
Insertion Loss	Typ	0.5	dB
	Max	0.7	
Center Wavelength	1571		nm
Channel Spacing	20		nm
Channel Bandwidth	±6.5		nm
1310 channel bandwidth	±40		nm
Adjacent Channel Isolation	≥30		dB
Non-Adjacent Channel Isolation	≥40		dB
Return Loss	≥50		dB
Directivity	≥55		dB
Operating temperature	0 to 70		°C
Storage temperature	-40 to 85		°C
Connector Type	LC/UPC		-

Front Panel



Wiring Diagram



Dimensions (Unit: mm)

