

DATA SHEET

MODULETEK: SFP10-CWDM-DML-xxxx-10KM-D10

10Gb/s SFP+ CWDM 10km Transceiver

SFP10-CWDM-DML-xxxx-10KM-D10 Overview

ModuleTek's SFP10-CWDM-DML-xxxx-10KM-D10 SFP+ CWDM 10km optical transceivers are based on 10G Ethernet IEEE 802.3ae standard and SFF-8431 standard, and provide a quick and reliable interface for the 10G Ethernet application. The digital diagnostics functions are available via the 2-wire serial bus specified in the SFF-8472.

Product Features

- Up to 10.7 Gb/s bi-directional data links
- Compliant with IEEE 802.3ae 10GBASE-LR/LW
- Compliant with 10GFC
- Compliant with SFF-8431
- Hot-pluggable SFP+ footprint
- CWDM DFB laser transmitter
- Duplex LC connector
- Built-in digital diagnostic functions
- Up to 10km on SMF
- Single power supply 3.3V
- RoHS Compliant
- Operating temperature range: - 20°C to 85°C

Applications

- 10GBASE-LR/LW Ethernet
- 10GFC
- 10km 10G CWDM Network

Ordering Information

Part Number	Description	Color on Clasp
SFP10-CWDM-DML-1270-10KM-D10	10 Gigabit CWDM SFP+ Transceiver, LC Connectors, 1270nm, Single Mode Fiber 10km	light purple
SFP10-CWDM-DML-1290-10KM-D10	10 Gigabit CWDM SFP+ Transceiver, LC Connectors, 1290nm, Single Mode Fiber 10km	sky blue
SFP10-CWDM-DML-1310-10KM-D10	10 Gigabit CWDM SFP+ Transceiver, LC Connectors, 1310nm, Single Mode Fiber 10km	Yellow green
SFP10-CWDM-DML-1330-10KM-D10	10 Gigabit CWDM SFP+ Transceiver, LC Connectors, 1330nm, Single Mode Fiber 10km	Yellow ocher
SFP10-CWDM-DML-1350-10KM-D10	10 Gigabit CWDM SFP+ Transceiver, LC Connectors, 1350nm, Single Mode Fiber 10km	Pink
SFP10-CWDM-DML-1370-10KM-D10	10 Gigabit CWDM SFP+ Transceiver, LC Connectors, 1370nm, Single Mode Fiber 10km	Beige
SFP10-CWDM-DML-1390-10KM-D10	10 Gigabit CWDM SFP+ Transceiver, LC Connectors, 1390nm, Single Mode Fiber 10km	White
SFP10-CWDM-DML-1410-10KM-D10	10 Gigabit CWDM SFP+ Transceiver, LC Connectors, 1410nm, Single Mode Fiber 10km	Silver
SFP10-CWDM-DML-1430-10KM-D10	10 Gigabit CWDM SFP+ Transceiver, LC Connectors, 1430nm, Single Mode Fiber 10km	Black
SFP10-CWDM-DML-1450-10KM-D10	10 Gigabit CWDM SFP+ Transceiver, LC Connectors, 1450nm, Single Mode Fiber 10km	Yellow orange
SFP10-CWDM-DML-1470-10KM-D10	10 Gigabit CWDM SFP+ Transceiver, LC Connectors, 1470nm, Single Mode Fiber 10km	Gray
SFP10-CWDM-DML-1490-10KM-D10	10 Gigabit CWDM SFP+ Transceiver, LC Connectors, 1490nm, Single Mode Fiber 10km	Violet
SFP10-CWDM-DML-1510-10KM-D10	10 Gigabit CWDM SFP+ Transceiver, LC Connectors, 1510nm, Single Mode Fiber 10km	Blue
SFP10-CWDM-DML-1530-10KM-D10	10 Gigabit CWDM SFP+ Transceiver, LC Connectors, 1530nm, Single Mode Fiber 10km	Green
SFP10-CWDM-DML-1550-10KM-D10	10 Gigabit CWDM SFP+ Transceiver, LC Connectors, 1550nm, Single Mode Fiber 10km	Yellow
SFP10-CWDM-DML-1570-10KM-D10	10 Gigabit CWDM SFP+ Transceiver, LC Connectors, 1570nm, Single Mode Fiber 10km	Orange
SFP10-CWDM-DML-1590-10KM-D10	10 Gigabit CWDM SFP+ Transceiver, LC Connectors, 1590nm, Single Mode Fiber 10km	Red
SFP10-CWDM-DML-1610-10KM-D10	10 Gigabit CWDM SFP+ Transceiver, LC Connectors, 1610nm, Single Mode Fiber 10km	Brown
For More Information: ModuleTek Limited Web: www.moduletek.com Email: sales@moduletek.com		

General Specifications

Parameter	Symbol	Min	Typ	Max	Unit	Remarks
Data Rate	DR		10.3125		Gb/s	1
Bit Error Rate	BER			10^{-12}		
Operating Temperature	T _C	-20		85	°C	2
Storage Temperature	T _{STO}	-40		90	°C	3
Supply Current	I _{CC}		200	285	mA	4
Input Voltage	V _{CC}	3.14	3.3	3.46	V	
Maximum Voltage	V _{MAX}	-0.5		4	V	4

Notes:

1. IEEE 802.3ae
2. Case temperature
3. Ambient temperature
4. For electrical power interface

Link Distances

Data Rate	Fiber Type	Distance Range (km)
10.3125 Gb/s	9/125um SMF	10

Optical – Characteristics – Transmitter

$V_{CC}=3.14V$ to $3.46V$, $T_C=-20^{\circ}C$ to $85^{\circ}C$

Parameter	Symbol	Min	Typ	Max	Unit	Remarks
Output Optical Power	P_{TX}	0		5	dBm	1
Optical Center Wavelength	λ_C	$\lambda-6.5$	λ	$\lambda+6.5$	nm	
Extinction Ratio	ER	3.5			dB	
Side Mode Suppression Ratio	SMSR	30			dB	
Relative Intensity Noise	RIN			-128	dB/Hz	
Transmitter Dispersion Penalty	TDP			3.2	dB	
Launch Power of OFF Transmitter	P_{OUT_OFF}			-30	dBm	1

Notes:

1. Average

Optical – Characteristics – Receiver

$V_{CC}=3.14V$ to $3.46V$, $T_C=-20^{\circ}C$ to $85^{\circ}C$

Parameter	Symbol	Min	Typ	Max	Unit	Remarks
Optical Center Wavelength	λ_C	1260		1620	nm	
Receiver Overload	P_{OL}	0.5			dBm	
Receiver Sensitivity @10.3Gb/s	R_{X_SEN}			-14	dBm	1
Receiver Reflectance	TR_{RX}			-12	dB	
LOS Assert	LOS_A	-30			dBm	
LOS De-Assert	LOS_D			-17	dBm	
LOS Hysteresis	LOS_H	0.5			dB	

Notes:

1. Measured with worst ER: $BER < 10^{-12}; 2^{31}-1$ PRBS

Electrical – Characteristics – Transmitter

$V_{CC}=3.14V$ to $3.46V$, $T_C=-20\text{ }^{\circ}C$ to $85\text{ }^{\circ}C$

Parameter	Symbol	Min	Typ	Max	Unit	Remarks
Input differential impedance	R_{IN}		100		Ω	
Differential data input swing	V_{IN_PP}	180		700	mV	
Transmit Disable Voltage	V_D	2		V_{CC}	V	
Transmit Enable Voltage	V_{EN}	V_{EE}		$V_{EE}+0.8$	V	

Electrical – Characteristics – Receiver

$V_{CC}=3.14V$ to $3.46V$, $T_C=-20\text{ }^{\circ}C$ to $85\text{ }^{\circ}C$

Parameter	Symbol	Min	Typ	Max	Unit	Remarks
Differential data output swing	V_{OUT_PP}	300		850	mV	
Data output rise time/fall time (20%-80%)	t_r / t_f	28			ps	
LOS Assert	V_{LOS_A}	2		V_{CC_HOST}	V	
LOS De-Assert	V_{LOS_D}	V_{EE}		$V_{EE}+0.5$	V	

Digital Diagnostic Functions

SFP10-CWDM-DML-xxxx-10KM-D10 supports the 2-wire serial communication protocol, as defined in the SFP MSA. Digital diagnostic information is accessible over the 2-wire interface at the address 0xA2. Digital diagnostics for SFP10-CWDM-DML-xxxx-10KM-D10 are internally calibrated by default. A micro controller unit inside the transceiver gathers the monitoring information and reports the status of transceiver.

Transceiver Temperature, internally measured, represented as a 16 bit signed twos complement value in increments of 1/256 degrees Celsius, Temperature accuracy is better than ± 3 degrees Celsius over specified operating temperature and voltage.

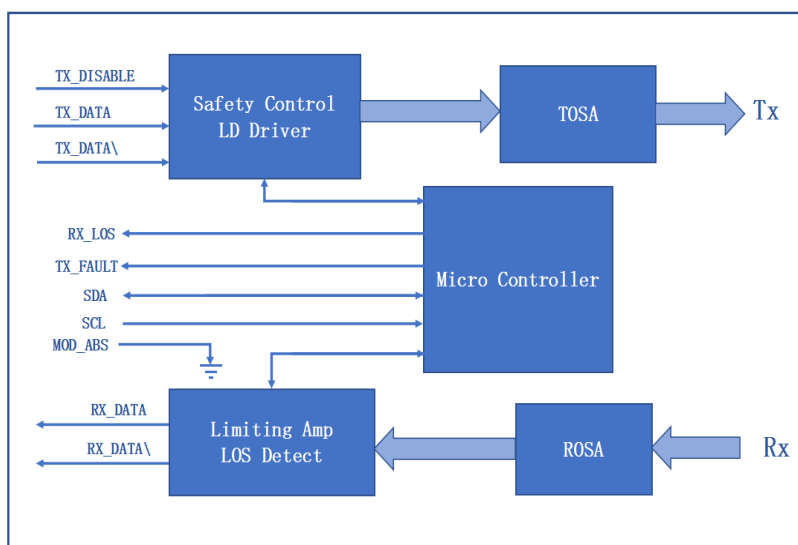
Transceiver Supply Power, internally measured, represented as a 16 bit unsigned integer with the voltage defined as the full 16 bit value (0 – 65535) with LSB equal to 100 μ Volt, yielding a total range of 0 to +6.55 Volts.

Transceiver TX bias current, internally measured, represented as a 16 bit unsigned integer with the current defined as the full 16 bit value (0 – 65535) with LSB equal to 2 μ A, yielding a total range of 0 to 131mA. Accuracy is better than $\pm 10\%$ over specified operating temperature and voltage.

Transceiver TX output power, internally measured, represented as a 16 bit unsigned integer with the power defined as the full 16 bit value (0– 65535) with LSB equal to 0.1 μ W. Data is assumed to be based on measurement of laser monitor photodiode current. Accuracy is better than ± 3 dB over specified temperature and voltage. Data is not valid when the transmitter is disabled.

Transceiver RX received optical power, internally measured, represented as a 16 bit unsigned integer with the power defined as the full 16 bit 35 value (0 – 65535) with LSB equal to 0.1 μ W. Accuracy is better than ± 3 dB over specified temperature and voltage.

Block-Diagram-of-Transceiver



Transmitter Section

The driver accept differential input data and provide bias and modulation currents for driving a laser. An automatic power-control (APC) feedback loop is incorporated to maintain a constant average optical power. CWDM DFB in an eye safe optical subassembly (OSA) mates to the fiber cable.

TX_DISABLE

The TX_DISABLE signal is high (TTL logic “1”) to turn off the laser output. The laser will turn on within 1ms when TX_DISABLE is low (TTL logic“0”).

TX_FAULT

When the TX_FAULT signal is high, output indicates a laser fault of some kind. Low indicates normal operation.

Receiver Section

The receiver utilizes a PIN detector integrated with a trans-impedance preamplifier in an OSA. This OSA is connected to a Limiting Amplifier which providing post-amplification quantization, and optical signal detection. The limiting Amplifier is AC-coupled to the transimpedance amplifier, with internal 100Ω differential termination.

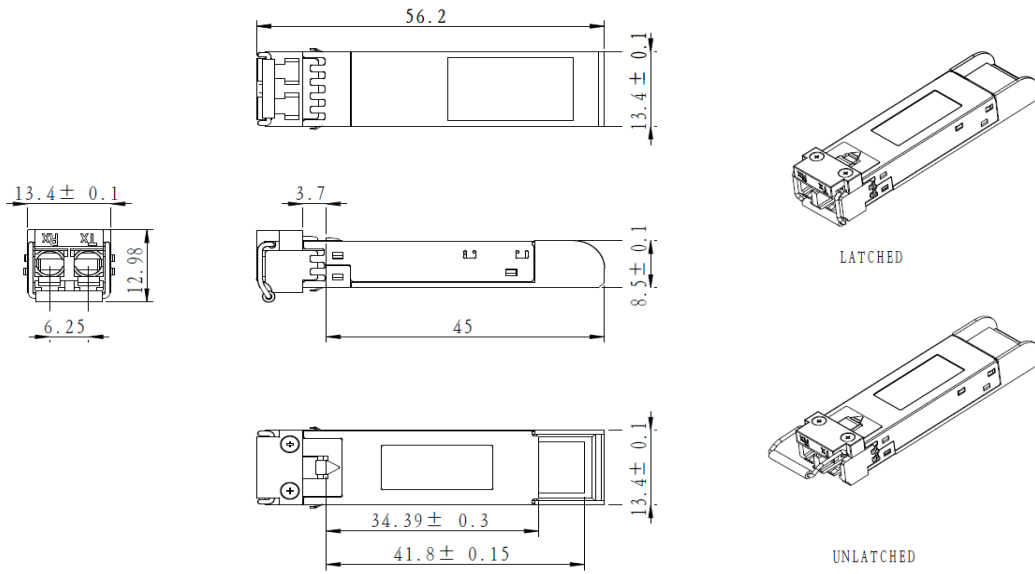
Receive (RX_LOS)

The RX_LOS is high (logic “1”) when there is no incoming light from the companion transceiver. This signal is normally used by the system for the diagnostic purpose. The signal is operated in TTL level.

Controller Section

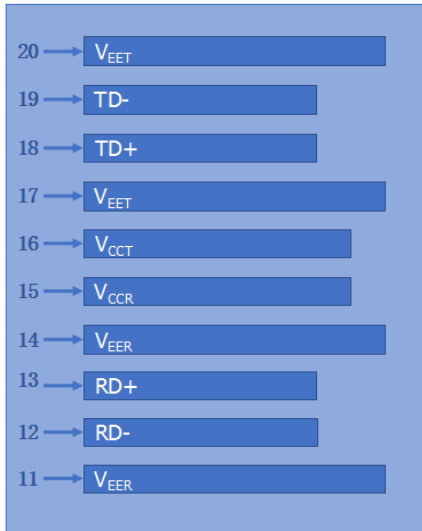
The micro controller unit monitors the operation information of LD driver and Limiting Amplifier. And report these status to the customer.

Dimensions

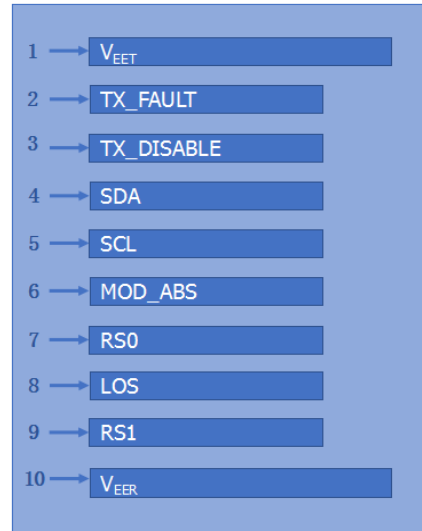
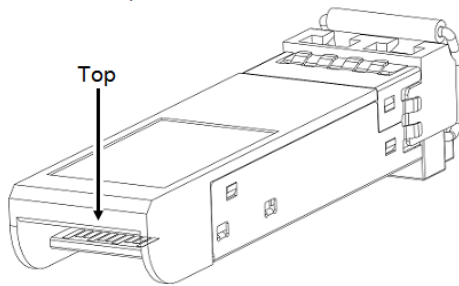


ALL DIMENSIONS ARE ±0.2mm UNLESS OTHERWISE SPECIFIED
UNIT: mm

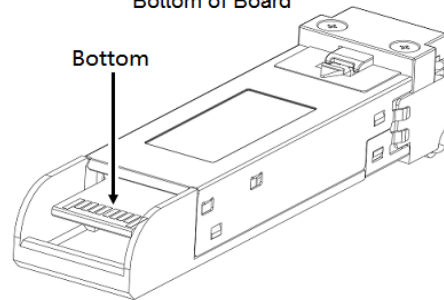
Electrical Pad Layout



Top of Board



Bottom of Board



Pin Assignment

PIN #	Symbol	Description	Remarks
1	V _{EET}	Transmitter ground (common with receiver ground)	1
2	TX_FAULT	Transmitter Fault	
3	TX_DISABLE	Transmitter Disable. Laser output disabled on high or open	2
4	SDA	2-wire Serial Interface Data Line	3
5	SCL	2-wire Serial Interface Clock Line	3
6	MOD_ABS	Module Absent. Grounded within the module	3
7	RS0	No connection required	
8	LOS	Loss of Signal indication. Logic 0 indicates normal operation	4
9	RS1	No connection required	1
10	V _{EER}	Receiver ground (common with transmitter ground)	1
11	V _{EER}	Receiver ground (common with transmitter ground)	1
12	RD-	Receiver Inverted DATA out. AC coupled	
13	RD+	Receiver Non-inverted DATA out. AC coupled	
14	V _{EER}	Receiver ground (common with transmitter ground)	1
15	V _{CCR}	Receiver power supply	
16	V _{CCT}	Transmitter power supply	
17	V _{EET}	Transmitter ground (common with receiver ground)	1
18	TD+	Transmitter Non-Inverted DATA in. AC coupled	
19	TD-	Transmitter Inverted DATA in. AC coupled	
20	V _{EET}	Transmitter ground (common with receiver ground)	1

Notes:

1. Circuit ground is isolated from chassis ground
2. Disabled: T_{DIS}>2V or open, Enabled: T_{DIS}<0.8V
3. Should Be pulled up with 4.7k –10k ohm on host board to a voltage between 2V and 3.6V
4. LOS is open collector output

References

1. IEEE standard 802.3ae. IEEE Standard Department, 2005.
2. [Enhanced 8.5 and 10 Gigabit Small Form Factor Pluggable Module “SFP+” –SFF-8431.](#)
3. [Digital Diagnostics Monitoring Interface for Optical Transceivers –SFF-8472.](#)