

DATA SHEET

MODULETEK: SFP10-DWDM-ZR-xx.xx-CDR-C10

10 Gigabit DWDM 80km SFP+ Transceiver, with CDR

SFP10-DWDM-ZR-xx.xx-CDR-C10 Overview

ModuleTek's SFP10-DWDM-ZR-xx.xx-CDR-C10 SFP+ optical transceivers are based on 10G Ethernet and SFF-8431 standard, providing a fast and reliable interface for 10G DWDM applications. The product implements digital diagnostics via a 2-wire serial bus, compliant with the SFF-8472 standard.

Product Features

- Dual CDR from 9.95 to 11.3Gb/s bi-directional data links
- Compliant with 10GBASE-ZR
- Compliant with 10G FC
- Compliant with SFF-8431
- Hot-pluggable SFP+ footprint
- Temperature-stabilized EML laser in DWDM wavelength and Receiver with APD
- Duplex LC connector
- Built-in digital diagnostic functions
- Up to 80km on SMF
- Single power supply 3.3V
- Low power consumption (Module work consumption <1.5W)
- RoHS Compliant
- Operating temperature range: 0°C to 70°C

Applications

- 10G Ethernet
- 10G SONET/SDH
- Fibre Channel
- OTN G.709 2/2e FEC bit rates
- CPRI

Ordering Information

Part Number	Description	Color on Clasp
SFP10-DWDM-ZR-xx.xx-CDR-C10	10GBASE-DWDM SFP+, DWDM-C Band (ITU 100GHz Grid), 80km over SMF. DOM	Green
For More Information: ModuleTek Limited Web: www.moduletek.com Email: sales@moduletek.com		

Product Selection

Product number	Description	ITU channel
SFP10-DWDM-ZR-63.05-CDR-C10	10GBASE-DWDM 80km, 1563.05nm SFP+	C18
SFP10-DWDM-ZR-62.23-CDR-C10	10GBASE-DWDM 80km, 1562.23nm SFP+	C19
SFP10-DWDM-ZR-61.24-CDR-C10	10GBASE-DWDM 80km, 1561.24nm SFP+	C20
SFP10-DWDM-ZR-60.61-CDR-C10	10GBASE-DWDM 80km, 1560.61nm SFP+	C21
SFP10-DWDM-ZR-59.79-CDR-C10	10GBASE-DWDM 80km, 1559.79nm SFP+	C22
SFP10-DWDM-ZR-58.98-CDR-C10	10GBASE-DWDM 80km, 1558.98nm SFP+	C23
SFP10-DWDM-ZR-58.17-CDR-C10	10GBASE-DWDM 80km, 1558.17nm SFP+	C24
SFP10-DWDM-ZR-57.36-CDR-C10	10GBASE-DWDM 80km, 1557.36nm SFP+	C25
SFP10-DWDM-ZR-56.55-CDR-C10	10GBASE-DWDM 80km, 1556.55nm SFP+	C26
SFP10-DWDM-ZR-55.75-CDR-C10	10GBASE-DWDM 80km, 1555.75nm SFP+	C27
SFP10-DWDM-ZR-54.94-CDR-C10	10GBASE-DWDM 80km, 1554.94nm SFP+	C28
SFP10-DWDM-ZR-54.13-CDR-C10	10GBASE-DWDM 80km, 1554.13nm SFP+	C29
SFP10-DWDM-ZR-53.33-CDR-C10	10GBASE-DWDM 80km, 1553.33nm SFP+	C30
SFP10-DWDM-ZR-52.52-CDR-C10	10GBASE-DWDM 80km, 1552.52nm SFP+	C31
SFP10-DWDM-ZR-51.72-CDR-C10	10GBASE-DWDM 80km, 1551.72nm SFP+	C32
SFP10-DWDM-ZR-50.92-CDR-C10	10GBASE-DWDM 80km, 1550.92nm SFP+	C33
SFP10-DWDM-ZR-50.12-CDR-C10	10GBASE-DWDM 80km, 1550.12nm SFP+	C34
SFP10-DWDM-ZR-49.32-CDR-C10	10GBASE-DWDM 80km, 1549.32nm SFP+	C35
SFP10-DWDM-ZR-48.51-CDR-C10	10GBASE-DWDM 80km, 1548.51nm SFP+	C36
SFP10-DWDM-ZR-47.72-CDR-C10	10GBASE-DWDM 80km, 1547.72nm SFP+	C37
SFP10-DWDM-ZR-46.92-CDR-C10	10GBASE-DWDM 80km, 1546.92nm SFP+	C38
SFP10-DWDM-ZR-46.12-CDR-C10	10GBASE-DWDM 80km, 1546.12nm SFP+	C39
SFP10-DWDM-ZR-45.32-CDR-C10	10GBASE-DWDM 80km, 1545.32nm SFP+	C40

SFP10-DWDM-ZR-44.53-CDR-C10	10GBASE-DWDM 80km, 1544.53nm SFP+	C41
SFP10-DWDM-ZR-43.73-CDR-C10	10GBASE-DWDM 80km, 1543.73nm SFP+	C42
SFP10-DWDM-ZR-42.94-CDR-C10	10GBASE-DWDM 80km, 1542.94nm SFP+	C43
SFP10-DWDM-ZR-42.14-CDR-C10	10GBASE-DWDM 80km, 1542.14nm SFP+	C44
SFP10-DWDM-ZR-41.35-CDR-C10	10GBASE-DWDM 80km, 1541.35nm SFP+	C45
SFP10-DWDM-ZR-40.56-CDR-C10	10GBASE-DWDM 80km, 1540.56nm SFP+	C46
SFP10-DWDM-ZR-39.77-CDR-C10	10GBASE-DWDM 80km, 1539.77nm SFP+	C47
SFP10-DWDM-ZR-38.98-CDR-C10	10GBASE-DWDM 80km, 1538.98nm SFP+	C48
SFP10-DWDM-ZR-38.19-CDR-C10	10GBASE-DWDM 80km, 1538.19nm SFP+	C49
SFP10-DWDM-ZR-37.40-CDR-C10	10GBASE-DWDM 80km, 1537.40nm SFP+	C50
SFP10-DWDM-ZR-36.61-CDR-C10	10GBASE-DWDM 80km, 1536.61nm SFP+	C51
SFP10-DWDM-ZR-35.82-CDR-C10	10GBASE-DWDM 80km, 1535.82nm SFP+	C52
SFP10-DWDM-ZR-35.04-CDR-C10	10GBASE-DWDM 80km, 1535.04nm SFP+	C53
SFP10-DWDM-ZR-34.25-CDR-C10	10GBASE-DWDM 80km, 1534.25nm SFP+	C54
SFP10-DWDM-ZR-33.47-CDR-C10	10GBASE-DWDM 80km, 1533.47nm SFP+	C55
SFP10-DWDM-ZR-32.68-CDR-C10	10GBASE-DWDM 80km, 1532.68nm SFP+	C56
SFP10-DWDM-ZR-31.90-CDR-C10	10GBASE-DWDM 80km, 1531.90nm SFP+	C57
SFP10-DWDM-ZR-31.12-CDR-C10	10GBASE-DWDM 80km, 1531.12nm SFP+	C58
SFP10-DWDM-ZR-30.33-CDR-C10	10GBASE-DWDM 80km, 1530.33nm SFP+	C59
SFP10-DWDM-ZR-29.55-CDR-C10	10GBASE-DWDM 80km, 1529.55nm SFP+	C60
SFP10-DWDM-ZR-28.77-CDR-C10	10GBASE-DWDM 80km, 1528.77nm SFP+	C61

General Specifications

Parameter	Symbol	Min	Typ	Max	Unit	Remarks
Data Rate	DR	9.95	10.3125	11.3	Gb/s	1
Bit Error Rate	BER			10^{-12}		
Operating Temperature	T _C	0		70	°C	2
Storage Temperature	T _{STO}	-40		85	°C	3
Supply Current	I _{CC}		450	500	mA	4
Input Voltage	V _{CC}	3.14	3.3	3.46	V	
Maximum Voltage	V _{MAX}	0.5		4	V	4

Notes:

1. IEEE 802.3ae
2. Case temperature
3. Ambient temperature
4. For electrical power interface

Link Distances

Data Rate	Fiber Type	Distance Range (km)
9.95–11.3 Gb/s	9/125um SMF	80

Optical-Characteristics-Transmitter

$V_{CC}=3.14V$ to $3.46V$, $T_C=0^{\circ}C$ to $70^{\circ}C$

Parameter	Symbol	Min	Typ	Max	Unit	Remarks
Output Optical Power	P_{TX}	0		4	dBm	1
Optical Center Wavelength	λ_C	$\lambda_C-0.1$	λ_C	$\lambda_C+0.1$		2
Extinction Ratio	ER	9			dB	
Spectral Width (-20dB)	$\Delta\lambda$			0.6	nm	
Side Mode Suppression Ratio	SMSR	30			dB	
Relative Intensity Noise	RIN			-128	dB/Hz	
Transmitter Dispersion Penalty	TDP			3.2	dB	
Launch Power of OFF Transmitter	P_{OUT_OFF}			-30	dBm	1

Notes:

1. Average
2. Per IEEE 802.3ae

Optical - Characteristics - Receiver

$V_{CC}=3.14V$ to $3.46V$, $T_C=0^{\circ}C$ to $70^{\circ}C$

Parameter	Symbol	Min	Typ	Max	Unit	Remarks
Optical Center Wavelength	λ_C	1260		1620	nm	
Average Receive Power	P_{RX}	-24		-7	dBm	
Receiver Sensitivity @10.3Gb/s	R_{X_SEN1}			-24	dBm	1
Receiver Reflectance	TR_{RX}			-27	dB	
LOS Assert	LOS_A	-35			dBm	
LOS De-Assert	LOS_D			-27	dBm	
LOS Hysteresis	LOS_H	0.5			dB	

Notes:

1. Measured with the PRBS $2^{31}-1$ test mode, $BER < 10^{-12}$;

Electrical – Characteristics – Transmitter

$V_{CC}=3.14V$ to $3.46V$, $T_C=0^{\circ}C$ to $70^{\circ}C$

Parameter	Symbol	Min	Typ	Max	Unit	Remarks
Input differential impedance	R_{IN}		100		Ω	
Differential data input swing	V_{IN_PP}	300		850	mV	
Transmit Disable Voltage	V_D	2		V_{CC}	V	
Transmit Enable Voltage	V_{EN}	V_{EE}		$V_{EE}+0.8$	V	

Electrical – Characteristics – Receiver

$V_{CC}=3.14V$ to $3.46V$, $T_C=0^{\circ}C$ to $70^{\circ}C$

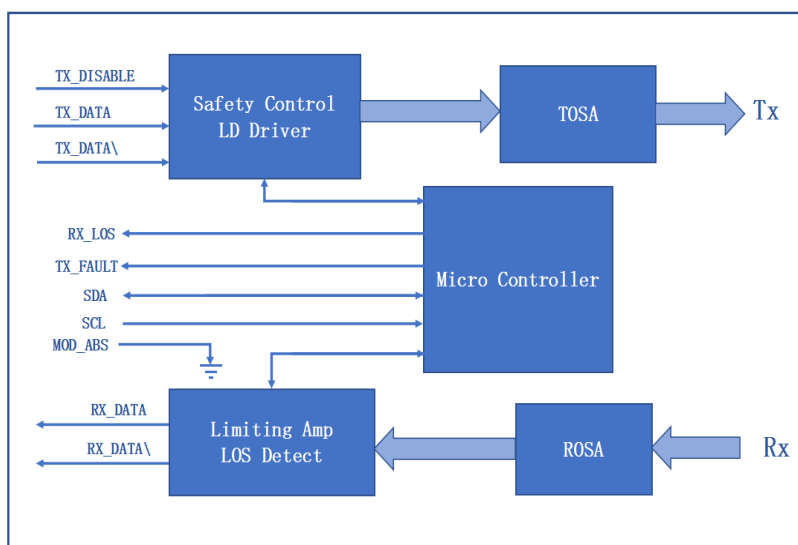
Parameter	Symbol	Min	Typ	Max	Unit	Remarks
Differential data output swing	V_{OUT_PP}	300		850	mV	
Data output rise time/fall time (20%-80%)	t_r/t_f	28			ps	
LOS Fault	V_{LOS_A}	2		V_{CC_HOST}	V	
LOS Normal	V_{LOS_D}	V_{EE}		$V_{EE}+0.5$	V	

Digital Diagnostic Functions

SFP10-DWDM-ZR-xx.xx-CDR-C10 supports the 2-wire serial communication protocol as defined in SFF-8472. Digital diagnostic information is accessible over the 2-wire interface at the address 0xA2. Digital diagnostics for SFP10-DWDM-ZR-xx.xx-CDR-C10 are internally calibrated by default. The internal micro control unit accesses the device operating parameters in real time, Such as transceiver temperature, laser bias current, transmitted optical power, received optical power and transceiver supply voltage. The module implements the alarm function of the SFF-8472, alerts the user when a particular operating parameter exceeds the factory-set normal range.

Digital Diagnostic Threshold Range					
Parameter	High Alarm	High Warning	Low Warning	Low Alarm	Remarks
Temperature ($^{\circ}C$)	75	70	0	-5	
Voltage (V)	3.63	3.46	3.13	2.97	
Bias Current (mA)	100	95	20	15	
Tx Power (uw)	3014.2	2511.8	1000	800	
Rx Power (uw)	251.7	188.8	2.9	1.9	

Block-Diagram-of-Transceiver



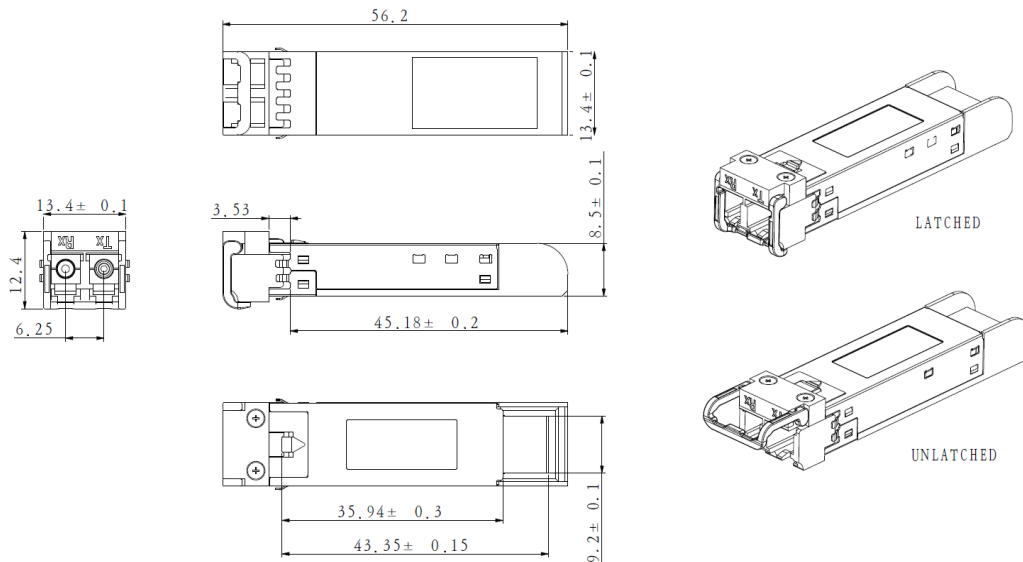
Functions Description

The transmitter consists of a laser driver chip and a TOSA (light-emitting component). The TOSA includes a DFB laser, an electroabsorption modulator (EAM), a TEC, and a backlight diode. Unlike DML, EML TOSA uses external modulation. When the transmission rate of the system is high, the transmission distance is not only limited by the attenuation of the optical fiber, but also by the dispersion of the optical fiber, and the dispersion of the optical communication system is related to the modulation spectral width. The directly modulated laser has a large dispersion cost, and has spectral broadening, frequency chirp, and short transmission distance, so the external modulation method is adopted in the medium-long-distance transmission at a rate of 10 Gb/s. TEC (Thermo Electric Cooler) Controls the temperature of the laser tube. When a temperature is set, the TOSA temperature of the module will remain unchanged through the control of the TEC. The wavelength of the module laser tube is related to the temperature of the laser tube. The module wavelength can be set by setting the TOSA temperature. When stable, the module has excellent wavelength stability. The electrical signal enters the optical module from the serial electrical interface and is then input to the laser driver chip. The laser driver chip supplies the bias current and the modulation current to the laser. The laser driver chip simultaneously uses an automatic optical power control (APC) feedback loop to maintain a constant average optical power of the laser output. The purpose is to eliminate the change of the output optical signal due to temperature changes and aging of the light source device. Module with CDR with clock data recovery, CDR overcomes board and connector degradation by reshaping, regenerating and reducing jitter. When the transmitter enable pin (TX_Disable) is high (TTL logic "1"), the laser output is turned off. When TX_Disable is low (TTL logic "0"), the laser will turn on within 1ms. When the transmitter fault signal (TX_Fault) is reported as high, indicates a transmitter failure caused by the transmitter's bias current or transmitted optical power or laser tube temperature exceeding a preset alarm threshold. Low indicates normal operation.

The receiver consists of a ROSA (light-receiving component) and a limiting amplifier chip, ROSA in-

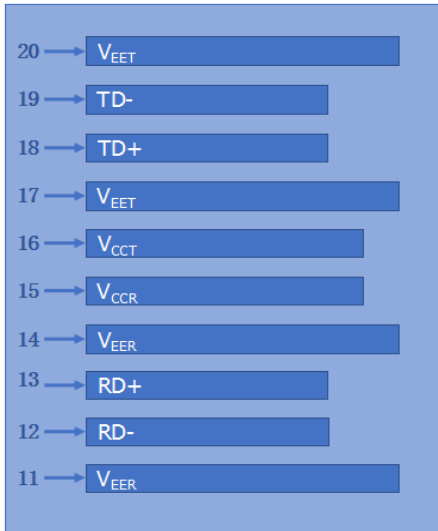
cludes a APD photodetector and a transimpedance amplifier chip. The ROSA detects the incident optical signal, converts the optical signal into an electrical signal, and outputs the electrical signal to the limiting amplifier. The electrical signal is further amplified by the limiting amplifier, then outputs a fixed-amplitude electrical signal to the host. When the amplitude of the electrical signal received from the incident light conversion of the opposite optical transceiver module is lower than the set threshold, the module reports that the received signal is lost, the RX_LOS pin is high (logic "1"), which can be used to diagnose whether the physical signal is normal. The signal is operated in TTL level. The microprocessor inside the module monitors the module's operating voltage, temperature, transmitted optical power, received optical power, and laser bias current value in real time. The host acquires this information over a 2-wire serial bus.

Dimensions

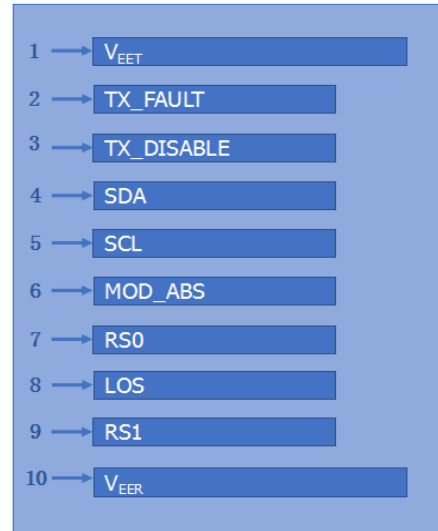
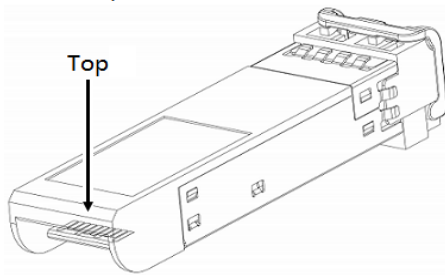


ALL DIMENSIONS ARE ±0.2mm UNLESS OTHERWISE SPECIFIED
UNIT: mm

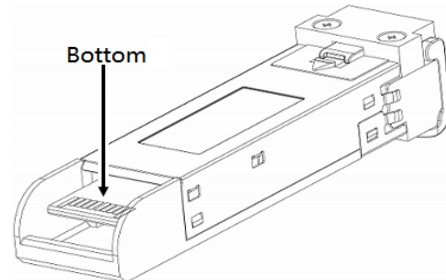
Electrical Pad Layout



Top of Board



Bottom of Board



Pin Assignment

PIN #	Symbol	Description	Remarks
1	V _{EET}	Transmitter ground (common with receiver ground)	1
2	TX_FAULT	Transmitter Fault.	
3	TX_DISABLE	Transmitter Disable. Laser output disabled on high or open	2
4	SDA	2-wire Serial Interface Data Line	3
5	SCL	2-wire Serial Interface Clock Line	3
6	MOD_ABS	Module Absent. Grounded within the module	3
7	RS0	Rate Select 0	
8	LOS	Loss of Signal indication. Logic 0 indicates normal operation	4
9	RS1	Rate Select 1	1
10	V _{EER}	Receiver ground (common with transmitter ground)	1
11	V _{EER}	Receiver ground (common with transmitter ground)	1
12	RD-	Receiver Inverted DATA out. AC coupled	
13	RD+	Receiver Non-inverted DATA out. AC coupled	
14	V _{EER}	Receiver ground (common with transmitter ground)	1
15	V _{CCR}	Receiver power supply	
16	V _{CCT}	Transmitter power supply	
17	V _{EET}	Transmitter ground (common with receiver ground)	1
18	TD+	Transmitter Non-Inverted DATA in. AC coupled	
19	TD-	Transmitter Inverted DATA in. AC coupled	
20	V _{EET}	Transmitter ground (common with receiver ground)	1

Notes:

- 1.Circuit ground is isolated from chassis ground
- 2.Disabled: T_{DIS}>2Vor open, Enabled: T_{DIS}<0.8V
- 3.Should Be pulled up with 4.7k –10k ohm on host board to a voltage between 2V and 3.46V
- 4.LOS is open collector output

References

- 1.IEEE standard 802.3ae. IEEE Standard Department,2005.
- 2.Enhanced 8.5 and 10 Gigabit Small Form Factor Pluggable Module “SFP+” –SFF-8431
- 3.Digital Diagnostics Monitoring Interface for Optical Transceivers –SFF-8472.