

DATA SHEET

MODULETEK – SFP10-ER-C10 10Gb/s SFP+ ER Transceiver

SFP10-ER-C10 Overview

ModuleTek's SFP10-ER-C10 SFP+ optical transceivers are based on 10G Ethernet IEEE 802.3ae standard and SFF-8431 standard, and provide a quick and reliable interface for the 10G Ethernet application. The digital diagnostics functions are available via a 2-wire serial interface, as specified in SFF-8472.

Product Features

- Supports from 1.2 Gb/s to 11.3 Gb/s bit rates
- Compliant with IEEE 802.3ae 10GBASE-ER/EW
- Compliant with 10GFC
- Compliant with SFF-8431
- Wireless CPRI Compliant
- Hot-pluggable SFP+ footprint
- 1550nm DFB laser transmitter
- Duplex LC connector
- Built-in digital diagnostic functions
- Up to 40km on SMF
- Single power supply 3.3V
- RoHS Compliant
- Operating temperature range: 0°C to 70°C



Applications

- 10GBASE-ER/EW Ethernet
- 4x, 8x, and 10x Fibre Channel
- CPRI options 2 through 8
- OTN G.709 OTU1e/2/2e FEC bit rates

Ordering Information

Part Number	Description	Operating temperature range
SFP10-ER-C10	10G SFP+ 1550nm LC Connectors 40km on SMF, Commercial Temperature with DOM function	0°C to 70°C

For More Information:

ModuleTek Limited

Unit 4A, B Building, Shenfubao S&T Industrial Park, No. 3 Huang Huai Road, Futian Free Trade Zone, Shenzhen, China. 518038.

Email: sales@moduletek.com

General Specifications

Parameter	Symbol	Min	Typ	Max	Unit	Remarks
Data Rate	DR	1.2	10.3125	11.3	Gb/s	1
Bit Error Rate	BER			10 ⁻¹²		
Operating Temperature	T _{OP}	0		70	°C	2
Storage Temperature	T _{STO}	- 40		85	°C	3
Supply Current	I _S		400	450	mA	4
Input Voltage	V _{CC}	3.14	3.3	3.46	V	
Maximum Voltage	V _{MAX}	- 0.5		4	V	4

Notes:

1. IEEE 802.3ae
2. Case temperature, commercial temperature
3. Ambient temperature
4. For electrical power interface

Link Distances

Parameter	Fiber Type	Distance Range (km)
1.2 – 11.3 Gb/s	9/125um SMF	40

Optical Characteristics – Transmitter

V_{CC}=3.14V to 3.46V, T_C=0°C to 70°C

Parameter	Symbol	Min	Typ	Max	Unit	Remarks
Output Optical Power	P _{TX}	- 4		4	dBm	1
Optical Center Wavelength	λ _C	1530		1565	nm	
Extinction Ratio	ER	8.2			dB	
Spectral Width (- 20 dB)	Δλ			0.6	nm	
Side Mode Suppression Ratio	SMSR	30			dB	
Relative Intensity Noise	RIN			- 128	dB/Hz	
Transmitter Dispersion Penalty	TDP			2	dB	
Transmitter Jitter		According to IEEE 802.3ae requirement				
Launch Power of OFF Transmitter	P _{OUT_OFF}			- 30	dBm	1

Notes:

1. Average

Optical Characteristics – Receiver

V_{CC}=3.14V to 3.46V, T_C=0°C to 70°C

Parameter	Symbol	Min	Typ	Max	Unit	Remarks
Optical Center Wavelength	λ _C	1260		1600	nm	
Optical Input Power	P _{IN}	-16		0.5	dBm	1

Receiver Sensitivity (Average)@ 10.3Gb/s	R _{X_AVE}		- 16		
Receiver Sensitivity (OMA)@ 10.3Gb/s	R _{X_SEN1}		- 14.1	dBm	2
Stressed Receiver Sensitivity in OMA@ 10.3Gb/s	R _{X_SEN2}		- 11.3	dBm	3
Receiver Reflectance	T _{R_RX}		- 27	dB	
LOS Assert	LOS _A	- 25		dBm	
LOS De-Assert	LOS _D		- 18	dBm	
LOS Hysteresis	LOS _H	0.5		dB	

Notes:

1. Average, Informative
2. Measured with worst ER: BER<10⁻¹² 2³¹-1 PRBS
3. IEEE 802.3ae

Electrical Characteristics – Transmitter

V_{CC}=3.14V to 3.46V, T_C=0°C to 70°C

Parameter	Symbol	Min	Typ	Max	Unit	Remarks
Input differential impedance	R _{IN}		100		Ω	
Differential data input swing	V _{IN_PP}	120		850	mV	
Transmit disable voltage	V _D	2		V _{CC}	V	
Transmit enable voltage	V _{EN}	V _{EE}		V _{EE} +0.8	V	

Electrical Characteristics – Receiver

V_{CC}=3.14V to 3.46V, T_C=0°C to 70°C

Parameter	Symbol	Min	Typ	Max	Unit	Remarks
Differential data output swing	V _{OUT_PP}	300		850	mV	
Data output rise time (20%-80%)	T _R		30		ps	
Data output fall time (20%-80%)	T _F		30		ps	
LOS Fault	V _{LOS_Fault}	2		V _{CC_HOST}	V	
LOS Normal	V _{LOS_Normal}	V _{EE}		V _{EE} +0.5	V	

Digital Diagnostic Functions

SFP10-ER-C10 support the 2-wire serial communication protocol as defined in the SFF-8472. Digital diagnostic information is accessible over the 2-wire interface at the address 0xA2. Digital diagnostics for SFP10-ER-C10 are internally calibrated by default. A micro controller unit inside the transceiver gathers the monitoring information and reports the status of transceiver.

Transceiver Temperature, internally measured, represented as a 16 bit signed twos complement value in increments of 1/256 degrees Celsius, Temperature accuracy is better than ±3 degrees Celsius over specified operating temperature and voltage.

Transceiver Supply Power, internally measured, represented as a 16 bit unsigned integer with the voltage defined as the full 16 bit value (0 – 65535) with LSB equal to 100 μVolt, yielding a total range of 0 to +6.55 Volts.

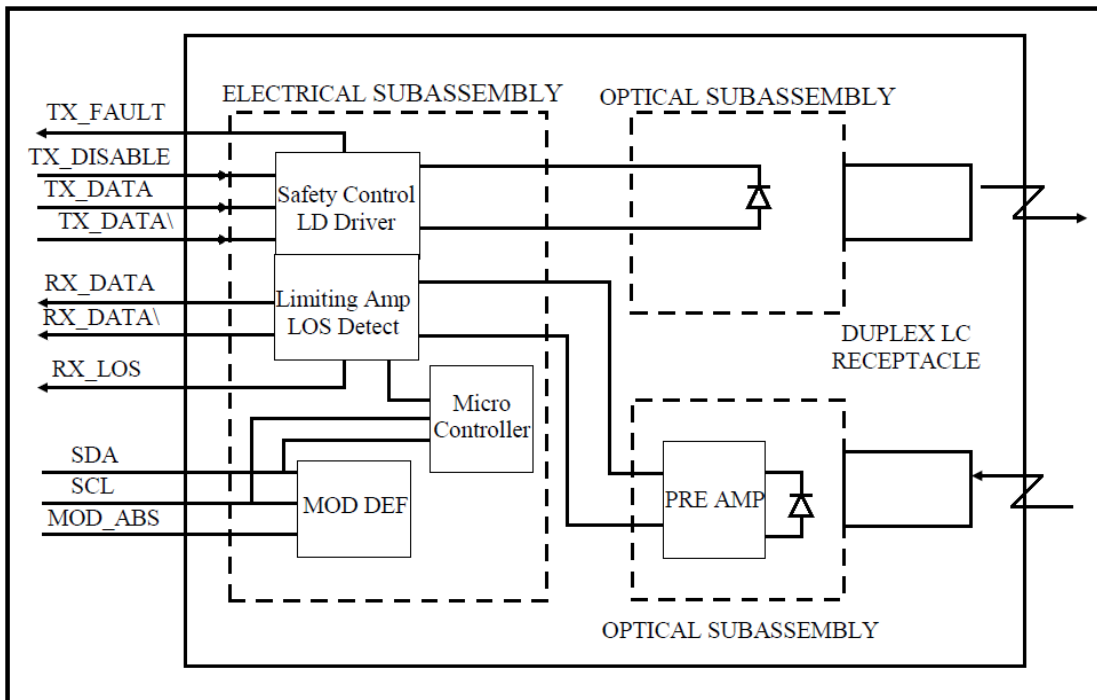
Transceiver TX bias current, internally measured, represented as a 16 bit unsigned integer with the current defined as the full 16 bit value (0 – 65535) with LSB equal to 2 μA, yielding a total range of 0 to 131mA. Accuracy is better than ±10% over specified

operating temperature and voltage.

Transceiver TX output power, internally measured, represented as a 16 bit unsigned integer with the power defined as the full 16 bit value (0 – 65535) with LSB equal to 0.1 μ W. Data is assumed to be based on measurement of laser monitor photodiode current. Accuracy is better than ± 3 dB over specified temperature and voltage. Data is not valid when the transmitter is disabled.

Transceiver RX received optical power, internally measured, represented as a 16 bit unsigned integer with the power defined as the full 16 bit 35 value (0 – 65535) with LSB equal to 0.1 μ W. Accuracy is better than ± 3 dB over specified temperature and voltage.

Block Diagram of Transceiver



Transmitter Section

The Laser driver accepts differential input data and provide bias and modulation currents for driving a laser. An automatic power-control (APC) feedback loop is incorporated to maintain a constant average optical power.1550 DFB in an eye safe optical subassembly (OSA) mates to the fiber cable.

TX_DISABLE

The TX_DISABLE signal is high (TTL logic "1") to turn off the laser output. The laser will turn on within 1ms when TX_DISABLE is low (TTL logic "0").

TX_FAULT

When the TX_FAULT signal is high, output indicates a laser fault of some kind. Low indicates normal operation.

Receiver Section

The receiver utilizes a PIN detector integrated with a trans-impedance preamplifier in an OSA. This OSA is connected to a Limiting Amplifier which providing post-amplification quantization, and optical signal detection. The limiting Amplifier is AC-coupled to the transimpedance amplifier, with internal 100 Ω differential termination.

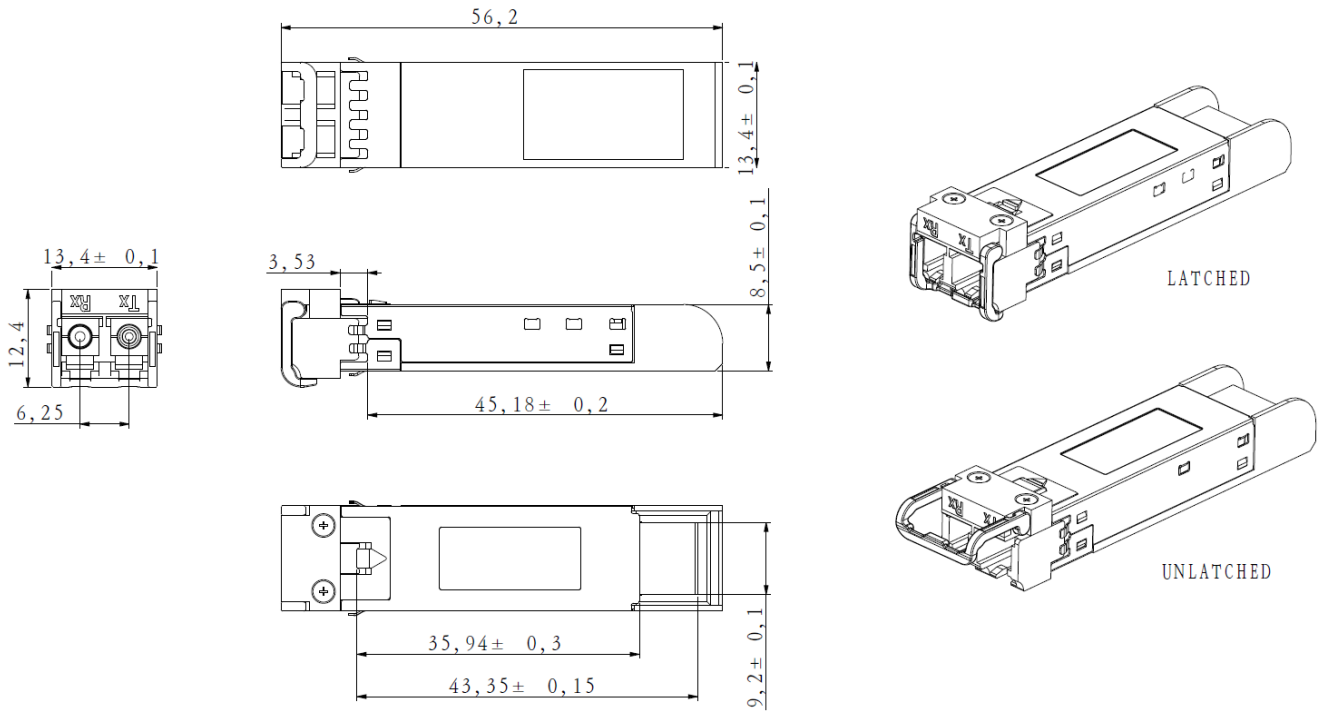
Receive Loss (RX_LOS)

The RX_LOS is high (logic "1") when there is no incoming light from the companion transceiver. This signal is normally used by the system for the diagnostic purpose. The signal is operated in TTL level.

Controller Section

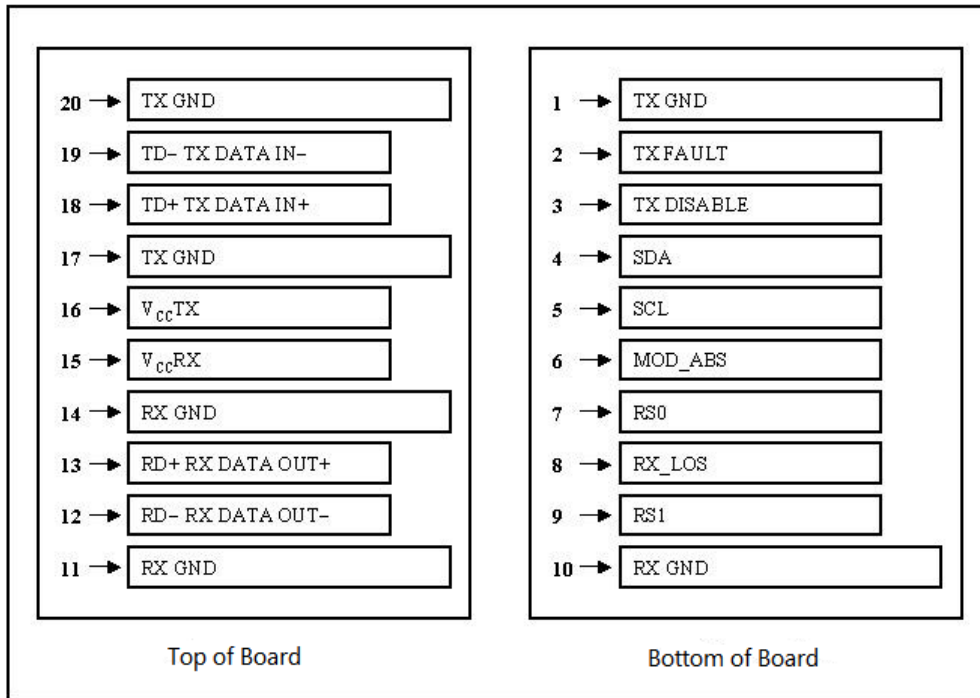
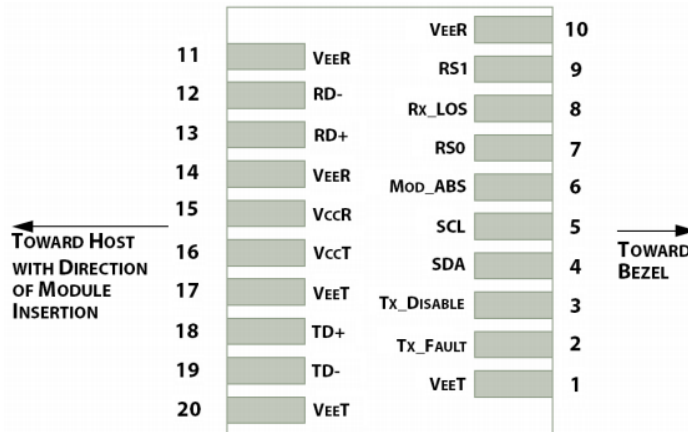
The micro controller unit monitors the operation information of LD driver and Limiting Amplifier. And report these status to the customer.

Dimensions



**ALL DIMENSIONS ARE ±0.2mm UNLESS OTHERWISE SPECIFIED
UNIT: mm**

Electrical Pad Layout



Pin Assignment

PIN #	Symbol	Description	Remarks
1	V _{EE T}	Transmitter ground (common with receiver ground)	1
2	T _{FAULT}	Transmitter Fault	
3	T _{DIS}	Transmitter Disable. Laser output disabled on high or open	2
4	SDA	2-wire Serial Interface Data Line	3
5	SCL	2-wire Serial Interface Clock Line	3

6	MOD_ABS	Module Absent. Grounded within the module	3
7	RS0	No connection required	
8	LOS	Loss of Signal indication. Logic 0 indicates normal operation	4
9	RS1	No connection required	1
10	V _{EER}	Receiver ground (common with transmitter ground)	1
11	V _{EER}	Receiver ground (common with transmitter ground)	1
12	RD-	Receiver Inverted DATA out. AC coupled	
13	RD+	Receiver Non-inverted DATA out. AC coupled	
14	V _{EER}	Receiver ground (common with transmitter ground)	1
15	V _{CCR}	Receiver power supply	
16	V _{CCT}	Transmitter power supply	
17	V _{EET}	Transmitter ground (common with receiver ground)	1
18	TD+	Transmitter Non-Inverted DATA in. AC coupled	
19	TD-	Transmitter Inverted DATA in. AC coupled	
20	V _{EET}	Transmitter ground (common with receiver ground)	1

Notes:

1. Circuit ground is isolated from chassis ground
2. Disabled: T_{DIS}>2V or open, Enabled: T_{DIS}<0.8V
3. Should Be pulled up with 4.7k – 10k ohm on host board to a voltage between 2V and 3.6V
4. LOS is open collector output

References

1. IEEE standard 802.3ae. IEEE Standard Department, 2005.
2. Enhanced 8.5 and 10 Gigabit Small Form Factor Pluggable Module "SFP+" – SFF-8431
3. Digital Diagnostics Monitoring Interface for Optical Transceivers – SFF-8472.