

SFF specifications are available at <http://www.snia.org/sff/specifications>
or <ftp://ftp.seagate.com/sff>

This specification was developed by the SFF Committee prior to it becoming the SFF TA (Technology Affiliate) TWG (Technical Working Group) of SNIA (Storage Networking Industry Association).

The information below should be used instead of the equivalent herein.

POINTS OF CONTACT:

Chairman SFF TA TWG
Email: SFF-Chair@snia.org

If you are interested in participating in the activities of the SFF TWG, the membership application can be found at:

<http://www.snia.org/sff/join>

The complete list of SFF Specifications which have been completed or are currently being worked on can be found at:

<http://www.snia.org/sff/specifications/SFF-8000.TXT>

The operations which complement the SNIA's TWG Policies & Procedures to guide the SFF TWG can be found at:

<http://www.snia.org/sff/specifications/SFF-8032.PDF>

Suggestions for improvement of this specification will be welcome, they should be submitted to:

<http://www.snia.org/feedback>

SFF Committee documentation may be purchased in hard copy or electronic form
SFF specifications are available at <ftp://ftp.seagate.com/sff>

This specification has been Archived.

***SFF-8419 SFP+ Low Speed Interface is the reference
for all high speed specifications
SFF-8418 SFP+ 10 Gb/s Electrical Interface contains
the remaining content of this specification.***

SFF Committee

SFF-8431

Specification for

SFP+ 10 Gb/s and Low Speed Electrical Interface

Rev 4.1

July 6, 2009

Rev 4.1 Addendum September 15, 2013

Secretariat: SFF Committee

Abstract: This specification defines the high speed electrical characteristics for enhanced Small Form Factor Pluggable (SFP+) modules and hosts. The SFP+ module is a hot pluggable small footprint serial-to-serial data-agnostic optical transceiver. The modules may be used to implement single-mode or multimode serial optical interfaces at 850 nm, 1310 nm, or 1550 nm. The SFP+ module design may use one of several different optical connectors.

This specification provides a common reference for systems manufacturers, system integrators, and suppliers. This is an internal working specification of the SFF Committee, an industry ad hoc group.

This specification is made available for public review, and written comments are solicited from readers. Comments received by the members will be considered for inclusion in future revisions of this specification.

Support: This specification is supported by the identified member companies of the SFF Committee.

POINT OF CONTACT:

Chairman SFF Committee
I. Dal Allan
14426 Black Walnut Court
Saratoga, CA 95070
408-867-6630
endlcom@acm.org

EXPRESSION OF SUPPORT BY MANUFACTURERS

The following member companies of the SFF Committee voted in favor of this industry specification.

| | |
|-----------------|-----------------------|
| Amphenol | JDS Uniphase |
| Applied Micro | LSI |
| Arista Networks | Luxtera |
| Avago | Molex |
| Broadcom | NetLogic uSyst |
| Cinch | Oclaro |
| Clariphy | Panduit |
| Cortina Systems | Picolight |
| EMC | QLogic |
| Emulex | Samsung |
| ETRI | Shenzhen |
| FCI | Sumitomo |
| Finisar | Sun Microsystems |
| Foxconn | TE Connectivity |
| Fujitsu CPA | Vitesse Semiconductor |
| Hewlett Packard | W L Gore |

The following member companies of the SFF Committee voted to abstain on this industry specification.

| | |
|--------------|-----------------|
| 3M | Meritec |
| Comax | Sandisk |
| HGST | Seagate |
| Leoni Cables | Toshiba |
| Luxshare-ICT | Western Digital |

Change History

Rev 4.1

- Expansion of Table 1 to include generations of Fibre Channel (June 20, 2013)
 - o Corrected 8.5GFC to reference FC-PI-5 (September 15, 2013)
- Addition of a Level III power module (June 20, 2013)
- Expand title to be descriptive of contents (July 17, 2014)
- Break content into SFF-8418 and SFF-8419 (May 2015)
 - o In response to complaint that SFP16 and SFP28 were referencing a 10 Gb/s spec

SFF Committee documentation may be purchased in hard copy or electronic form.
SFF specifications are available at <ftp://ftp.seagate.com/sff>

SFF Committee

SFF-8431 Specifications for

Enhanced Small Form Factor Pluggable Module SFP+

Revision 4.1

6th of July 2009

Secretariat: SFF Committee

Abstract: This document defines the low speed electrical and management interface specifications for enhanced Small Form Factor Pluggable (SFP+) modules and hosts. The SFP+ module is a hot pluggable small footprint serial-to-serial data-agnostic optical transceiver. This document defines the high speed electrical interface specifications for 10 Gigabit/s SFP+ modules and hosts. The 8.5 Gigabit/s high speed electrical interface specifications are defined in FC-PI-4. The modules may optionally support lower signalling rates as well. The modules may be used to implement single-mode or multimode serial optical interfaces at 850 nm, 1310 nm, or 1550 nm. The SFP+ module design may use one of several different optical connectors.

This specification provides a common reference for system manufacturers, system integrators, and suppliers. This is an internal working specification of the SFF Committee, an industry ad hoc group.

This specification is made available for public review, and written comments are solicited from readers. Comments received by the members will be considered for inclusion in future revisions of this specification.

Support: This specification is supported by the identified member companies of the SFF Committee.

POINTS OF CONTACT:

Technical Editor:

Ali Ghiasi
Broadcom Corporation
3151 Zanker Road
San Jose, CA 95134
Voice: (408) 922-7423
EMail: aghiasi@broadcom.com

Chairman SFF Committee

I. Dal Allan
ENDL
14426 Black Walnut Court
Saratoga, CA 95070
Voice: (408) 867-6630
EMail: endlcom@acm.org

SSWG Leader:

Tom Lindsay
ClariPhy Communications
16 Technology Drive, Suite 165
Irvine, CA 92618
Voice: (425)608-0209
EMail: tom.lindsay@clariphy.com

EXPRESSION OF SUPPORT BY MANUFACTURERS

The following member companies of the SFF Committee voted in favor of this industry specification:

AMCC
Amphenol
Arista Networks
Avago
Broadcom
Cinch
Clariphy
Cortina Systems
EMC
Emulex
ETRI
Finisar
Foxconn
Fujitsu CPA
Hewlett Packard
Hitachi GST
JDS Uniphase
Luxtera
Molex
NetLogic uSyst
OpNext
Panduit
Picolight
QLogic
Samsung
Sumitomo
Sun Microsystems
Tyco
Vitesse Semiconductor
W L Gore

The following member companies of the SFF Committee voted to abstain on this industry specification.

Comax
FCI
ICT Solutions
Leoni Cables
Meritec
Seagate
Toshiba

The user's attention is called to the possibility that implementation to this Specification may require use of an invention covered by patent rights. By distribution of this specification, no position is taken with respect to the validity of a claim or claims of any patent rights in connection therewith. Members of the SFF Committee which advise that a patent exists are required to provide a statement of willingness to grant a license under these rights on reasonable and non-discriminatory terms and conditions to applicants desiring to obtain such a license.

Foreword

The development work on this specification was done by the SFF Committee, an industry group. The membership of the committee since its formation in August 1990 has included a mix of companies which are leaders across the industry.

When 2 1/2" diameter disk drives were introduced, there was no commonality on external dimensions e.g. physical size, mounting locations, connector type, connector location, between vendors.

The first use of these disk drives was in specific applications such as laptop portable computers and system integrators worked individually with vendors to develop the packaging. The result was wide diversity, and incompatibility.

The problems faced by integrators, device suppliers, and component suppliers led to the formation of the SFF Committee as an industry ad hoc group to address the marketing and engineering considerations of the emerging new technology.

During the development of the form factor definitions, other activities were suggested because participants in the SFF Committee faced more problems than the physical form factors of disk drives. In November 1992, the charter was expanded to address any issues of general interest and concern to the storage industry. The SFF Committee became a forum for resolving industry issues that are either not addressed by the standards process or need an immediate solution.

Those companies which have agreed to support a specification are identified in the first pages of each SFF Specification. Industry consensus is not an essential requirement to publish an SFF Specification because it is recognized that in an emerging product area, there is room for more than one approach. By making the documentation on competing proposals available, an integrator can examine the alternatives available and select the product that is felt to be most suitable.

SFF Committee meetings are held during T10 weeks (see www.t10.org), and Specific Subject Working Groups are held at the convenience of the participants. Material presented at SFF Committee meetings becomes public domain, and there are no restrictions on the open mailing of material presented at committee meetings.

Most of the specifications developed by the SFF Committee have either been incorporated into standards or adopted as standards by EIA (Electronic Industries Association), ANSI (American National Standards Institute) and IEC (International Electrotechnical Commission).

The SFF Committee activities support the requirements of the storage industry, and it is involved with several standards.

If you are interested in participating or wish to follow the activities of the SFF Committee, the sign up for membership and/or documentation can be found at:

www.sffcommittee.com/ie/join.html

The complete list of SFF Specifications which have been completed or are currently being worked on by the SFF Committee can be found at:

<ftp://ftp.seagate.com/sff/SFF-8000.TXT>

If you wish to know more about the SFF Committee, the principles which guide the activities can be found at:

<ftp://ftp.seagate.com/sff/SFF-8032.TXT>

Suggestions for improvement of this specification will be welcome. They should be sent to the SFF Committee, 14426 Black Walnut Ct, Saratoga, CA 95070.

Industry Documents

The following interface standards are relevant to SFP+ Specifications.

SFF-8432 - Improved Pluggable Formfactor (<ftp://ftp.seagate.com/sff/>)

SFF-8083 - Improved 0.8mm Card Edge Connector (<ftp://ftp.seagate.com/sff/>)

SFF-8089 - SFP Rate and Application codes (<ftp://ftp.seagate.com/sff/>)

SFF-8079 - SFP Rate and Application Selection (<ftp://ftp.seagate.com/sff/>)

SFF-8472 - Diagnostic Monitoring Interface for Optical Transceivers (<ftp://ftp.seagate.com/sff/>)

INF-8074i - SFP (Small Form Factor) Transceiver (<ftp://ftp.seagate.com/sff/>)

INF-8077i - 10 Gigabit Small Form Factor Pluggable Module (XFP MSA) (<ftp://ftp.seagate.com/sff/>)

FC-PI-4 - Fibre Channel - Physical Interface-4

10GFC - Fibre Channel - 10 Gigabit

FC-MJSQ - Methodologies for Jitter and Signal Quality Specifications FC INCITS Project 1316-DT Rev 14.1, June 5, 2005

IEEE 802.3 - IEEE Standard 802.3, Relevant 10 Gigabit Ethernet clauses are 49, 10GBASE-R LAN PHY; 50, 10GBASE-W WAN PHY; 52, 10 Gigabit Ethernet serial PMDs; and 68, 10GBASE-LRM)

OIF CEI - Optical Internetworking Forum - Implementation Agreement # OIF-CEI-02.0 Common Electrical I/O (CEI)

(<http://www.oiforum.com/public/impagreements.html>)

Acronyms and other abbreviations

| | |
|---------|--|
| 64B/66B | Data encoded with 64B/66B encoder as defined by the IEEE Std. 802.3 CL 49. |
| BER | bit error ratio |
| CDR | clock and data recovery |
| CRU | clock recovery unit |
| dB | decibel. $10 \cdot \log_{10}$ (ratio of power quantities). Powers can be electrical or optical. Conventional usage. See also dBe and dBo. |
| dBe | Specific case of dB where signals are electrical. $10 \cdot \log_{10}$ (ratio of electrical power quantities). $20 \cdot \log_{10}$ (ratio of voltage quantities) can be used if reference impedances are equal. |
| dBm | decibel (relative to 1 mW) |
| dBo | Specific case of dB where the signals are in optical power. $10 \cdot \log_{10}$ (ratio of optical power quantities). Also, in certain cases with electrical signals relating to linear optical modules, where it is expected that electrical voltage is in proportion to optical power, $10 \cdot \log_{10}$ (ratio of voltage quantities). |
| DCD | Duty cycle distortion |
| DDPWS | Data Dependent Pulse Width Shrinkage |
| DDJ | Data Dependent Jitter |
| dRN | Difference of Relative noise see Appendix D |
| DUT | device under test |
| dWDP | Difference of the waveform distortion penalty of an optical receiver |
| dWDPC | Difference of the waveform distortion penalty of an electrical cable assembly |
| EMC | electromagnetic compatibility |
| EMI | electromagnetic Interference |
| FC | Fibre Channel |
| h | hexadecimal notation |
| HCB | Host Compliance Board |
| IEEE | Institute of Electrical and Electronics Engineers |
| ITU-T | ITU Telecommunication Standardization Sector |
| Gbit | gigabit = 10^9 bits |
| GBd | Gigabaud |
| J2 | 99% Jitter |
| LRM | IEEE 802.3 CL68 Physical Layer Specifications for 10Gb/s using 10GBASE-R encoding and long wavelength optics for multimode fiber |

| | |
|----------|---|
| MCB | Module Compliance Board |
| OMA | optical modulation amplitude |
| PCB | printed circuit board |
| PRBS9 | Pseudo-Random Bit Sequence 2^9-1 , see D.1.1 |
| PRBS31 | Pseudo-Random Bit Sequence $2^{31}-1$, see D.1.1 |
| Q_{sq} | Q_{sq} a measure of SNR, see D.8 and IEEE 802.3.68.6.7 |
| RI | random interference |
| RMS | root mean square |
| RN | relative noise |
| Rx | receiver |
| Rx_LOS | Loss of signal same as defined in FC PI-4 and the inverse of signal detect (SD) in 802.3 |
| RSS | "Root Sum of Squares" |
| SD | Signal Detect |
| SerDes | Serializer/Deserializer |
| SFI | SFP+ high speed serial electrical interface |
| SNR | signal-to-noise ratio |
| VccT | Module positive power supply rail for the transmitter |
| VccR | Module positive power supply rail for the receiver |
| VMA | voltage modulation amplitude |
| Tx | transmitter |
| TWDP | Transmitter Waveform Distortion Penalty for an optical transmitter |
| TWDPc | Transmitter Waveform Distortion Penalty of a host transmitter supporting an electrical cable assembly |
| UI | unit interval = 1 symbol period |
| UJ | Uncorrelated Jitter |
| WDP | Waveform distortion penalty |
| WDPC | Waveform distortion penalty for an electrical cable assembly |

SFF Specifications

There are several projects active within the SFF Committee. The complete list of specifications which have been completed or are still being worked on are listed in the specification at <ftp://ftp.seagate.com/sff/SFF-8000.TXT>

Document Sources

Those who join the SFF Committee as an Observer or Member receive electronic copies of the minutes and SFF specifications (<http://www.sffcommittee.com/ie/join.html>).

Copies of ANSI standards may be purchased from the InterNational Committee for Information Technology Standards (<http://tinyurl.com/c4psg>).

Copies of SFF, T10 (SCSI), T11 (Fibre Channel) and T13 (ATA) standards and standards still in development are available on the HPE version of CD_Access (<http://tinyurl.com/85fts>).

Conventions

The American convention of numbering is used i.e., the thousands and higher multiples are separated by a comma and a period is used as the decimal point. This is equivalent to the ISO/IEC convention of a space and comma.

| | |
|-------------|-------------|
| American: | ISO: |
| 0.6 | 0,6 |
| 1,000 | 1 000 |
| 1,323,462.9 | 1 323 462,9 |

SFP+ Publication History

| Revision Number | Description | Date |
|-----------------|--|-------------------|
| 0.1 | Initial Publication of Document, Preliminary | May 9, 2006 |
| 0.5 | Initial Public Review Draft | June 29, 2006, |
| 1.0 | 2nd Public Draft | August 28, 2006 |
| 1.1 | 3rd Public Draft | October 10, 2006 |
| 1.2 | 4rd Public Draft | December 21, 2006 |
| 1.3 | 5rd Public Draft | February 16, 2007 |
| 2.0 | 6th Public Draft and the 1st SFF A ballot | April 26, 2007 |
| 2.1 | 7th Public Draft | August 30, 2007 |
| 2.2 | 8th Public Draft | December 19, 2007 |
| 3.0 | 9th Public Draft and the 2nd SFF A ballot | May 8, 2008 |
| 3.1 | Editor review draft | November 11, 2008 |
| 3.2 | 10th Public Draft and the 3rd SFF A ballot | November 12, 2008 |
| 3.3 | 11th Public Draft and the 4rd SFF A ballot | April 8, 2009 |
| 4.0 | 12th Public Draft and the 1st SFF Publication Ballot Valid comments were made on draft revision 3.3 that mask hit ratios of 1e-12 at C' and C'' compliance points are too time consuming for normal testing. While changes to the document to enable extrapolation from 1e-12 to a higher hit ratio would be desirable, due to concerns that developing a better specification would delay the schedule, no solutions are provided in this revision of SFF-8431. Improved testing methods should be considered for future projects. | June 11, 2009 |
| 4.1 | Published It was proposed to truncate the diamond mask into a hexagonal mask while maintaining the current slope of the diamond mask. The underlying reason for this comment was that the downstream CDR due to setup and hold times could not use the upper and lower apexes of the diamond mask. It was considered with interest but it could not be accommodated with the schedule. | July 6, 2009 |

Contents

| | | |
|------------------|---|----------|
| Chapter 1 | Scope of SFP+ Specification | 1 |
| 1.1 | Introduction | 1 |
| 1.2 | The SFP+ Supported Standards | 2 |
| 1.3 | SFI Typical PCB Reach (Informative) | 3 |
| Chapter 2 | Low Speed Electrical and Power Specifications | 4 |
| 2.1 | Introduction | 4 |
| 2.2 | General Requirements | 4 |
| 2.3 | SFP+ Host Connector Definition | 4 |
| 2.4 | Low Speed Electrical Control Contacts and 2-wire Interface | 7 |
| 2.4.1 | Tx_Fault | 7 |
| 2.4.2 | Tx_Disable | 7 |
| 2.4.3 | RS0/RS1 | 7 |
| 2.4.4 | Mod_ABS | 8 |
| 2.4.5 | SCL/SDA | 8 |
| 2.4.6 | Rx_LOS | 8 |
| 2.5 | Rate Select Hardware Control | 8 |
| 2.6 | Low Speed Electrical Specifications | 9 |
| 2.6.1 | Module Low Speed Electrical Specifications | 9 |
| 2.6.2 | Host Low speed Electrical Specifications | 10 |
| 2.7 | Timing Requirement of Control and Status I/O | 11 |
| 2.7.1 | Module power on initialization procedure, Tx_Disable negated | 12 |
| 2.7.2 | Module power on initialization procedure, Tx_Disable asserted | 12 |
| 2.7.3 | Initialization During Hot Plugging | 13 |
| 2.7.4 | Transmitter management | 14 |
| 2.7.5 | Transmitter safety detection and presentation | 14 |
| 2.7.6 | Module fault recovery | 15 |
| 2.7.7 | Module loss of signal indication | 16 |
| 2.8 | SFP+ Power Requirement | 17 |
| 2.8.1 | Module Power Supply Requirements | 17 |
| 2.8.2 | Host Power Supply Noise Output | 17 |
| 2.8.3 | Module Power Supply Noise Output | 17 |
| 2.8.4 | Power Supply Noise Tolerance | 17 |
| 2.9 | ESD | 19 |

| | | |
|-------------------|--|-----------|
| Chapter 3 | High Speed Electrical Specification SFI | 20 |
| 3.1 | Introduction | 20 |
| 3.2 | SFI Applications Definition | 20 |
| 3.3 | SFI Test Points Definition and Measurements | 21 |
| 3.3.1 | Host Compliance Points | 21 |
| 3.3.2 | Module Compliance Points | 22 |
| 3.3.3 | ASIC/SerDes Test Points (Informative) | 23 |
| 3.3.4 | Host Input Calibration Point | 24 |
| 3.3.5 | Module Input Calibration Point | 24 |
| 3.4 | SFI Termination and DC Blocking | 25 |
| 3.5 | SFP+ Host System Specifications | 27 |
| 3.5.1 | Host Transmitter Output Specifications at B | 27 |
| 3.5.2 | Host Receiver Input Specifications at C and C' | 30 |
| 3.6 | SFP+ Module Specifications | 35 |
| 3.6.1 | Module Transmitter Input Specifications at B' and B'' | 35 |
| 3.6.2 | Module Receiver Output Specifications at C' | 37 |
| Chapter 4 | SFP+ 2-wire Interface | 41 |
| 4.1 | Introduction | 41 |
| 4.2 | 2-wire Electrical Specifications | 41 |
| 4.3 | SFP+ 2-wire Timing Diagram | 42 |
| 4.4 | Memory Transaction Timing | 43 |
| 4.5 | Device Addressing and Operation | 44 |
| 4.6 | Read/Write Functionality | 45 |
| 4.6.1 | SFP+ Memory Address Counter (Read and Write Operations) | 45 |
| 4.6.2 | Read Operations (Current Address Read) | 46 |
| 4.6.3 | Read Operations (Random Read) | 46 |
| 4.6.4 | Read Operations (Sequential Read) | 47 |
| 4.6.5 | Write Operations (Byte Write) | 48 |
| 4.6.6 | Write Operations (Sequential Write) | 49 |
| 4.6.7 | Write Operations (Acknowledge Polling) | 49 |
| Appendix A | SFI Channel Recommendation (Informative) | 50 |
| A.1 | SFI Host Channel General Recommendations | 50 |
| A.2 | SFI Channel Transfer Recommendations | 50 |
| A.3 | SFI Channel Return Loss Recommendations | 52 |
| A.4 | SFI Channel Ripple Recommendations | 52 |
| Appendix B | SFI ASIC/SerDes Specification (Informative) | 54 |
| B.1 | Introduction | 54 |
| B.2 | SFI ASIC/SerDes Transmitter Output Specifications at A (Informative) | 54 |

| | | |
|-------------------|--|-----------|
| B.3 | SFI ASIC/SerDes Receiver Input Specifications at D (Informative) | 54 |
| Appendix C | Application Reference Boards (Normative) | 56 |
| C.1 | Compliance Boards | 56 |
| C.1.1 | Host Compliance Board Transfer Characteristics..... | 56 |
| C.1.2 | Module Compliance Board Transfer Characteristics | 57 |
| C.1.3 | ASIC/SerDes Test Board Transfer Characteristics | 58 |
| C.2 | Host Compliance Board..... | 59 |
| C.2.1 | Host Compliance Board Material and Layer Stack-up | 59 |
| C.2.2 | Host Compliance Board Partlist | 60 |
| C.2.3 | HCB Gerber Files..... | 60 |
| C.2.4 | Schematic of Host Compliance Board..... | 60 |
| C.3 | Module Compliance Board..... | 62 |
| C.3.1 | Module Compliance Board Material and Layer Stack-up | 62 |
| C.3.2 | Schematic of Module Compliance Board..... | 63 |
| C.3.3 | Module Compliance Board Partlist..... | 65 |
| C.3.4 | MCB Gerber files..... | 65 |
| C.4 | Specifications for Mated Host and Module Compliance Boards | 66 |
| Appendix D | Test Methodology and Measurement (Normative) | 72 |
| D.1 | Introduction..... | 72 |
| D.1.1 | Test Patterns..... | 72 |
| D.2 | Eye Mask Compliance..... | 72 |
| D.2.1 | Example Calculations for 5×10^{-5} Hit Ratio..... | 73 |
| D.3 | Data Dependent Jitter (DDJ) and Pulse Width Shrinkage (DDPWS) | 74 |
| D.3.1 | Duty Cycle Distortion (DCD) | 75 |
| D.4 | Uncorrelated Jitter (UJ)..... | 75 |
| D.5 | 99% Jitter (J2) and Total Jitter (TJ) | 76 |
| D.6 | Rise and Fall Times..... | 77 |
| D.7 | Voltage Modulation Amplitude (VMA) | 77 |
| D.8 | Relative Noise (RN) | 78 |
| D.9 | Waveform Distortion Penalty (WDP)..... | 79 |
| D.10 | Electrical compliance signal at B" for the SFP+ Module transmitter | 80 |
| D.11 | Test Method for a host receiver for a limiting module | 82 |
| D.11.1 | Test Equipment & Setup | 83 |
| D.11.2 | Stressed-Eye Jitter Characteristics | 83 |
| D.11.3 | Calibration | 85 |
| D.11.4 | Calibration Procedure..... | 86 |
| D.11.5 | Test Procedure..... | 87 |
| D.12 | Limiting Module Receiver Compliance Tests..... | 87 |
| D.13 | Test Method for a Host Receiver with a Linear Module..... | 88 |

- D.13.1 Test Description and Procedure for Host Receiver for Linear Module89
- D.13.2 Host Linear Tester calibration90
- D.14 Linear Module Receiver Compliance Tests91
 - D.14.1 Linear Module receiver noise compliance test.....91
 - D.14.2 linear Module Receiver Distortion Penalty Compliance Test93
 - D.14.3 Linear Module Receiver Output Differential Peak-Peak Voltage94
- D.15 AC Common Mode Voltage.....95
 - D.15.1 Definition of AC Common Mode Voltage95
 - D.15.2 AC Common Mode Generation Test95
 - D.15.3 AC Common Mode Tolerance Test.....95
- D.16 Termination Mismatch95
- D.17 Power Supply Testing methodology.....96
 - D.17.1 Host Power Supply Noise Output97
 - D.17.2 SFP+ Module Power Supply Noise Output99
 - D.17.3 Module Power Supply Tolerance Testing99
- Appendix E SFP+ Direct Attach Cable Specifications “10GSFP+Cu” (Optional) 101**
 - E.1 10GSFP+Cu Direct Attach Construction 101
 - E.2 SFP+ Host Output Specifications for Passive Direct Attach Cables 102
 - E.2.1 Transmitter Stressor 102
 - E.3 SFP+ Host Receiver Supporting 10GSFP+Cu Input Compliance Test Signal Calibrated at C”104
 - E.3.1 Copper Host Receiver Specifications 104
 - E.3.2 Copper Host Stress Generator 1 UI Pulse Response 105
 - E.4 SFP+ Passive Direct Attach cable Assembly Specifications 107
 - E.4.1 SFP+ Direct Attach Cable Test Setup 108
 - E.4.2 Cable dWDP Test Procedure..... 109
 - E.4.3 Cable NEXT Measurement Procedure..... 109
 - E.4.4 VMA to Crosstalk Ratio (VCR) 110
- Appendix F 1.25 GBd Operation Support (Optional) 112**
 - F.1 Introduction 112
 - F.2 SFP+ Host Operation Guideline for Supporting Classic SFP 112
- Appendix G Matlab Code for TWDP 115**

List of Tables

| | | |
|----------|--|-----|
| Table 1 | SFP+ Standard Compliance | 2 |
| Table 2 | Host Board Achievable Trace Length | 3 |
| Table 3 | SFP+ Module and Host Electrical contact definition | 6 |
| Table 4 | Rate Select Hardware Control Contacts | 9 |
| Table 5 | Low Speed Module Electrical Specifications | 10 |
| Table 6 | Low Speed Host Electrical Specifications | 10 |
| Table 7 | Timing Parameters for SFP+ Management..... | 11 |
| Table 8 | SFP+ Module Power Supply Requirements | 18 |
| Table 9 | SFI Supported signalling Rates | 20 |
| Table 10 | SFI Reference Points | 21 |
| Table 11 | Host Transmitter Output Electrical Specifications at B | 28 |
| Table 12 | Host Transmitter Output Jitter and Eye Mask Specifications at B | 29 |
| Table 13 | Host Receiver Input Electrical Specifications at C and C” | 30 |
| Table 14 | Host receiver supporting limiting module input compliance test signal calibrated at C” .. | 31 |
| Table 15 | Host receiver supporting linear module input compliance test signal calibrated at C” | 34 |
| Table 16 | Module Transmitter Input Electrical Specifications at B’ | 35 |
| Table 17 | Module Transmitter Input Tolerance Signal Calibrated at B” | 36 |
| Table 18 | Module Receiver Output Electrical Specifications at C’ | 37 |
| Table 19 | Limiting Module Receiver Output Jitter and Eye Mask Specifications at C’ | 38 |
| Table 20 | Linear Module Receiver Specifications at C’ | 39 |
| Table 21 | 2-Wire Interface Electrical Specifications | 41 |
| Table 22 | SFP+ 2-wire Timing Specifications..... | 43 |
| Table 23 | SFP+ Memory Specifications..... | 43 |
| Table 24 | SFP+ Device Address Word | 45 |
| Table 25 | SFI Host Interconnect Budget | 50 |
| Table 26 | ASIC/SerDes Transmitter Output Electrical Specifications at A | 55 |
| Table 27 | ASIC/SerDes Receiver Electrical Input Specifications at D..... | 55 |
| Table 28 | Host Compliance Board Part List | 60 |
| Table 29 | Module Compliance Board Part List | 65 |
| Table 30 | Estimated parameter values for an ideal stressed signal generator..... | 82 |
| Table 31 | Target RN _i Values | 93 |
| Table 32 | Truncated Filter Response Coefficients..... | 98 |
| Table 33 | SFP+ Host Transmitter Output Specifications at B for Cu | 102 |
| Table 34 | 10GSFP+Cu TWDPc Stressor | 103 |
| Table 35 | 10GSFP+ Host receiver input stress Generator at C” | 104 |
| Table 36 | Stress Generator 1 UI Pulse Response with 8x Over-sampling..... | 106 |
| Table 37 | 10GSFP+Cu Cable Assembly Specifications at B’ and C’ | 107 |

| | | |
|----------|--|-----|
| Table 38 | INF-8074i Voltage Levels for Reference Only | 112 |
| Table 39 | SFP+ Host Transmitter Requirements to Support 1.25 GBd Mode | 113 |
| Table 40 | SFP+ Host Receiver Requirements to Support 1.25 GBd Mode | 113 |
| Table 41 | SFP Module input and output ranges that can be supported by the SFP+ Host..... | 114 |

List of Figures

| | | |
|-----------|--|----|
| Figure 1 | Host PCB SFP+ pad assignment top view | 5 |
| Figure 2 | SFP+ module contact assignment..... | 5 |
| Figure 3 | Power on initialization of module, Tx_Disable negated | 12 |
| Figure 4 | Power on initialization of module, Tx_Disable asserted | 13 |
| Figure 5 | Example of initialization during hot plugging, Tx_Disable negated. | 13 |
| Figure 6 | Management of module during normal operation, Tx_Disable implemented..... | 14 |
| Figure 7 | Occurrence of condition generating Tx_Fault..... | 14 |
| Figure 8 | Successful recovery from transient safety fault condition..... | 15 |
| Figure 9 | Unsuccessful recovery from safety fault condition | 16 |
| Figure 10 | Timing of Rx_LOS detection..... | 16 |
| Figure 11 | Instantaneous and sustained peak current for VccT or VccR..... | 19 |
| Figure 12 | SFI Application Reference Model..... | 20 |
| Figure 13 | Host Compliance Board..... | 22 |
| Figure 14 | Module Compliance Board..... | 23 |
| Figure 15 | ASIC/SerDes Test Board..... | 23 |
| Figure 16 | Host input calibration point C” and crosstalk source calibration point B” | 24 |
| Figure 17 | Module input calibration point B” and crosstalk source calibration point C” | 25 |
| Figure 18 | SFI Termination and AC Coupling..... | 26 |
| Figure 19 | Transmitter Differential Output Compliance Mask at B and B” | 29 |
| Figure 20 | Host Receiver Input Compliance Mask at C” Supporting Limiting Module | 32 |
| Figure 21 | SR and LR Host Sinusoidal Jitter Tolerance Mask..... | 32 |
| Figure 22 | Module Transmitter Differential Input Compliance Mask at B” | 36 |
| Figure 23 | Limiting Module Receiver Differential Output Compliance Mask at C’ | 38 |
| Figure 24 | LRM module receiver RN and dWDP compliance and host receiver test calibration..... | 40 |
| Figure 25 | 2-wire Timing Diagram | 42 |
| Figure 26 | Detail of Clock Stretching..... | 42 |
| Figure 27 | Current Address Read Operation | 46 |
| Figure 28 | Random Read | 47 |
| Figure 29 | Sequential Address Read Starting at Current Word Address..... | 47 |
| Figure 30 | Sequential Address Read Starting with Random Read | 48 |
| Figure 31 | SFP+ Write Byte Operation..... | 48 |
| Figure 32 | Sequential Write Operation..... | 49 |
| Figure 33 | Example of SFI Host Recommended Channel..... | 51 |
| Figure 34 | Approximate Response of Host Compliance Board | 57 |
| Figure 35 | Approximate Transfer Response of Module Compliance Board..... | 58 |
| Figure 36 | Host Compliance Board stack-up..... | 59 |
| Figure 37 | Schematic of the Host Compliance Board..... | 61 |
| Figure 38 | Module Compliance Board stack up | 62 |
| Figure 39 | Schematic of The Module Compliance Board | 64 |
| Figure 40 | Measurements Port Definition..... | 66 |
| Figure 41 | Maximum Differential Response of mated MCB and HCB..... | 67 |
| Figure 42 | Mated MCB-HCB Differential Through Response Limits..... | 68 |

| | | |
|-----------|---|-----|
| Figure 43 | Maximum Common Mode Response of mated MCB and HCB..... | 69 |
| Figure 44 | Maximum Differential to Common Mode Response of mated MCB and HCB..... | 70 |
| Figure 45 | Maximum Differential NEXT Response of mated MCB and HCB | 71 |
| Figure 46 | Eye mask measurement setup - block diagram..... | 73 |
| Figure 47 | DDJ Test Method | 74 |
| Figure 48 | Example xMA waveform showing xMA measurement windows | 78 |
| Figure 49 | Compliance signal generator for module transmitter | 81 |
| Figure 50 | Jitter Tolerance Test Configuration | 84 |
| Figure 51 | Stressed eye jitter components | 84 |
| Figure 52 | TP3 to electrical adaptor for host that operates with linear modules..... | 89 |
| Figure 53 | Linear Module Receiver Noise Test..... | 91 |
| Figure 54 | Module receiver waveform penalty compliance test..... | 93 |
| Figure 55 | AC Termination Mismatch Measurement | 96 |
| Figure 56 | Module Compliance Board Power Supply Filters | 97 |
| Figure 57 | Reference filter response | 98 |
| Figure 58 | Power Supply Noise Tolerance Test Setup | 100 |
| Figure 59 | 10GSFP+Cu Direct Attach Block Diagram | 102 |
| Figure 60 | 10GSFP+Cu TWDPc Stressor Impulse Response | 103 |
| Figure 61 | Block Diagram of Copper Stressor Noise Model..... | 105 |
| Figure 62 | Stress Generator IUI Pulse Response with 8x over-sampling | 105 |
| Figure 63 | 10GSFP+ Cable Test Setup | 108 |
| Figure 64 | 10GSFP+Cu Cable NEXT dWDP Test Setup | 109 |
| Figure 65 | SFP+ Host Transmitter Output Mask for 1.25 GBd Operation | 113 |
| Figure 66 | SFP+ Host Receiver Input Mask for 1.25 GBd Operation | 114 |

CHAPTER 1 SCOPE OF SFP+ SPECIFICATION

1.1 INTRODUCTION

This specification defines the electrical interfaces and their test methods between the SFP+ module and host board for operation up to 11.1 Gb/s. The high speed electrical interface between the host and SFP+ module is called “SFI”. SFI simplifies the module and leverages host based transmit pre-emphasis and host based receive equalization to overcome PCB and external media impairments.

SFI typically operates with one connector at the module interface and up to about 200 mm of improved FR4 material or 150 mm of standard FR4, see [1.3](#). The electrical interface is based on high speed, low voltage AC coupled logic with a nominal differential impedance of 100 Ω .

The SFP+ specifications includes management, connector¹, mechanical², low speed signalling, high speed signalling, and appendices providing parameter and test board definitions, and implementation and measurement descriptions.

SFP+ modules are hot pluggable and active connections are powered by individual power connections for the transmitter (VccT) and the receiver (VccR). Multiple modules can share a single 3.3 V power supply with individual filtering for each VccT and VccR. Detailed power supply specifications are given in [2.8](#).

All SFP+ module compliance points are defined and measured through the mated reference test card as defined by [C.3](#). All SFP+ host compliance points are defined and measured through the mated reference test card as defined by [C.2](#).

The SFP+ module could be an electrical-to-optical or an electrical-to-electrical device intended to support one or more of the applications listed in [Table 1](#).

It is expected that a range of SFP+ modules will operate on single-mode fiber, multimode fiber, and SFP+ electrical cable assemblies.

SFP+ compliant hosts are permitted to support just linear modules, just limiting modules, or both linear and limiting modules. Linear modules are modules which contain a linear receiver. Limiting modules are modules which contain a limiting receiver. Although not required, host supporting linear spec-

1. Defined in SFF-8083
2. Defined in SFF-8432

ifications are encouraged to support 10GSFP+Cu direct attach cables ([Appendix E](#)). For other copper variants see SFF-8461.

1.2 THE SFP+ SUPPORTED STANDARDS

An SFP+ module may comply with any combination of the standards shown in [Table 1](#), and may be suitable for other or future standards. This specification does not preclude operation at other signalling rates not listed in this table, such as 2.125 GBd for 2GFC, or 4.25 GBd for 4GFC.

Due to the possibility of insertion of classic SFP modules into a host designed for SFP+ the damage threshold of the host for the input signal at C (see [Figure 13](#)) shall be at least 2000 mV peak to peak differential.

Table 1 SFP+ Standard Compliance

| <i>Standard</i> | <i>Signalling Rate (GBd)</i> | <i>High Speed Serial Interface</i> | <i>High Speed Serial Test Method</i> | <i>Low Speed Electrical Definitions</i> | <i>Low Speed Test Methods</i> | <i>Management</i> | <i>Mechanical/ Connector</i> |
|--|------------------------------|---|--|---|-------------------------------|---|------------------------------|
| IEEE 802.3 Clause 38 or Clause 59 (1 Gb/s Ethernet) | 1.25 | 802.3 Clause 38 or 59 Appendix F | | | | | |
| 8 GFC | 8.5 | FC-PI-4 | FC-PI-4 | | | | |
| 10GSFP+Cu | 10.3125 | Chapter 3 Appendix E | Appendix D Appendix E | | | | |
| IEEE 802.3 Clause 52 (10 Gb/s Ethernet LAN PHY) | 10.3125 | Chapter 3 | Appendix D | Chapter 2 | Appendix D | Chapter 4 SFF-8472, SFF-8079, SFF-8089 | SFF-8432 SFF-8083 |
| IEEE 802.3 Clause 52 (10 Gb/s Ethernet WAN PHY) | 9.95328 | | | | | | |
| IEEE 802.3 Clause 68 (LRM) | 10.3125 | | | | | | |
| 10 GFC | 10.51875 | | | | | | |
| 10GBASE-R (IEEE 802.3 Clause 49) Encapsulated in G.709 ODU-2 Frame (FEC) | 11.10 | | | | | | |

1.3 SFI TYPICAL PCB REACH (INFORMATIVE)

The SFI channel may be implemented with either microstrip or stripline structures. Example host board designs with typical PCB trace reaches are shown in [Table 2](#). Detailed channel properties and recommendations are documented in [Appendix A](#).

Table 2 Host Board Achievable Trace Length

| <i>Type</i> | <i>Material</i> | <i>Trace Width (mm)</i> | <i>Loss Tangent</i> | <i>Copper Thickness (oz) see 1</i> | <i>Copper Thickness (μm)</i> | <i>Trace Length (mm)</i> |
|-------------|-----------------|-------------------------|---------------------|--|------------------------------|--------------------------|
| Microstrip | FR4-6/8 | 0.3 | 0.022 | 1 | 35 | 200 |
| | Nelco 4000-13 | 0.3 | 0.016 | 1 | 35 | 300 |
| Stripline | FR4-6/8 | 0.125 | 0.022 | 0.5 | 17.5 | 150 |
| | Nelco 4000-13 | 0.125 | 0.016 | 0.5 | 17.5 | 200 |

1. Copper (oz) is defined as an ounce of copper over one square foot of laminate.

CHAPTER 2 LOW SPEED ELECTRICAL AND POWER SPECIFICATIONS

2.1 INTRODUCTION

The SFP+ low speed electrical interface has several enhancements over the classic SFP interface (INF-8074i), but the SFP+ host can be designed to also support most legacy SFP modules. SFP+ 2-wire interface electrical and timing specifications are defined in [Chapter 4](#), and the SFP+ 2-wire interface management and register map are defined by SFF-8472.

2.2 GENERAL REQUIREMENTS

The SFP+ modules are hot-pluggable. Hot pluggable refers to plugging in or unplugging a module while the host board is powered.

The module signal ground contacts VeeR and VeeT should be isolated from module case.

All electrical specifications shall be met over the entire specified range of power supplies given in section [2.8](#).

2.3 SFP+ HOST CONNECTOR DEFINITION

The SFP+ host connector is a 0.8 mm pitch 20 position improved connector specified by SFF-8083, or stacked connector with equivalent electrical performance. Host PCB contact assignment is shown in [Figure 1](#) and contact definitions are given in [Table 3](#). SFP+ module contacts mate with the host in the order of ground, power, followed by signal as illustrated by [Figure 2](#) and the contact sequence order listed in [Table 3](#).

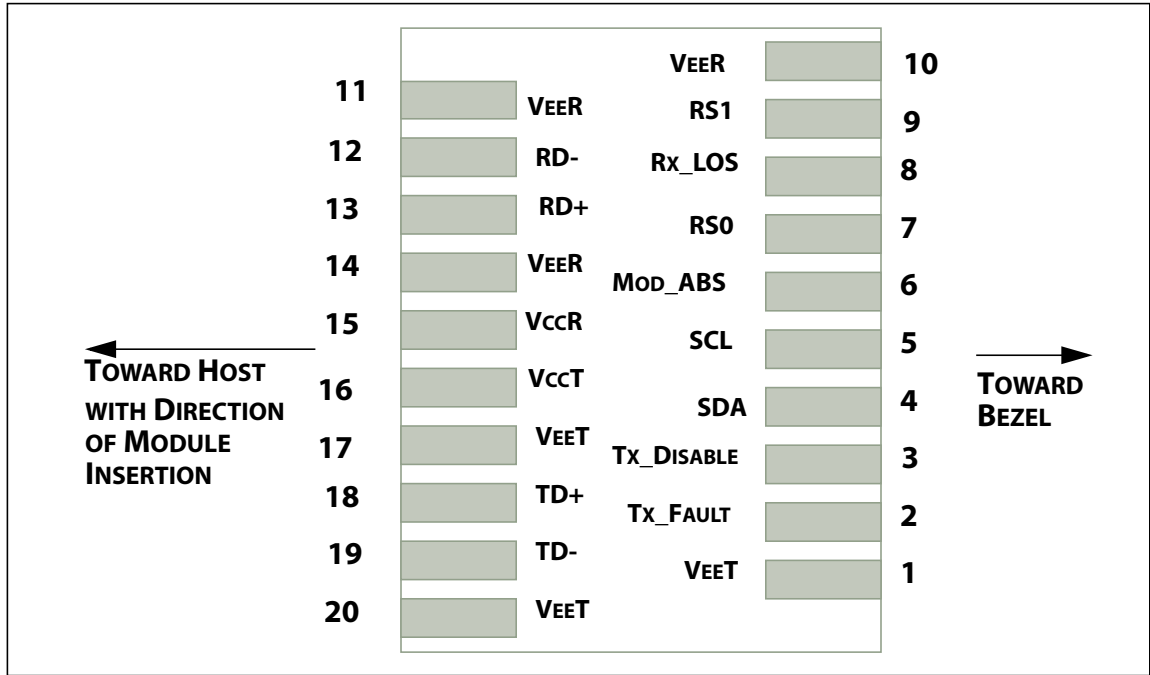


Figure 1 Host PCB SFP+ pad assignment top view

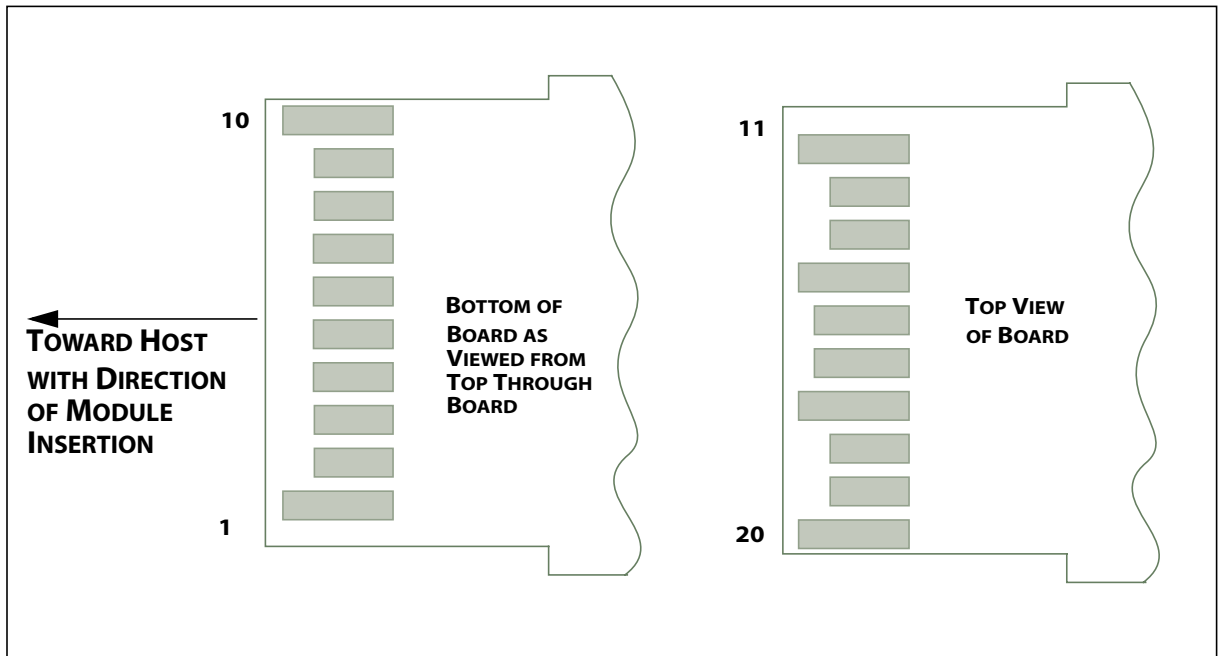


Figure 2 SFP+ module contact assignment

Table 3 SFP+ Module and Host Electrical contact definition

| <i>Contacts</i> | <i>Logic¹</i> | <i>Symbol</i> | <i>Power Sequence Order</i> | <i>Name/Description</i> | <i>Note</i> |
|---|--------------------------|---------------|-----------------------------|---|-------------|
| case | | case | See 2 | Module case | |
| 1 | | VeeT | 1st | Module Transmitter Ground | 3 |
| 2 | LVTTL-O | Tx_Fault | 3rd | Module Transmitter Fault | 4 |
| 3 | LVTTL-I | Tx_Disable | 3rd | Transmitter Disable; Turns off transmitter laser output | 5 |
| 4 | LVTTL-I/O | SDA | 3rd | 2-wire Serial Interface Data Line (Same as MOD-DEF2 in INF-8074i) | 6 |
| 5 | LVTTL-I/O | SCL | 3rd | 2-wire Serial Interface Clock (Same as MOD-DEF1 in INF-8074i) | 6 |
| 6 | | Mod_ABS | 3rd | Module Absent, connected to VeeT or VeeR in the module | 7 |
| 7 | LVTTL-I | RS0 | 3rd | Rate Select 0, optionally controls SFP+ module receiver. | 8 |
| 8 | LVTTL-O | Rx_LOS | 3rd | Receiver Loss of Signal Indication (In FC designated as Rx_LOS and in Ethernet designated as Signal Detect) | 4 |
| 9 | LVTTL-I | RS1 | 3rd | Rate Select 1, optionally controls SFP+ module transmitter | 8 |
| 10 | | VeeR | 1st | Module Receiver Ground | 3 |
| 11 | | VeeR | 1st | Module Receiver Ground | 3 |
| 12 | CML-O | RD- | 3rd | Receiver Inverted Data Output | |
| 13 | CML-O | RD+ | 3rd | Receiver Non-Inverted Data Output | |
| 14 | | VeeR | 1st | Module Receiver Ground | 3 |
| 15 | | VccR | 2nd | Module Receiver 3.3 V Supply | |
| 16 | | VccT | 2nd | Module Transmitter 3.3 V Supply | |
| 17 | | VeeT | 1st | Module Transmitter Ground | 3 |
| 18 | CML-I | TD+ | 3rd | Transmitter Non-Inverted Data Input | |
| 19 | CML-I | TD- | 3rd | Transmitter Inverted Data Input | |
| 20 | | VeeT | 1st | Module Transmitter Ground | 3 |
| <p>1. Labeling as inputs (I) and outputs (O) are from the perspective of the module</p> <p>2. The case makes electrical contact to the cage before any of the board edge contacts are made.</p> <p>3. The module signal ground contacts, VeeR and VeeT, should be isolated from the module case.</p> <p>4. This contact is an open collector/drain output contact and shall be pulled up on the host see 2.4.1 and 2.4.6. Pull ups can be connected to one of several power supplies, however the host board design shall ensure that no module contact has voltage exceeding module VccT/R + 0.5 V.</p> <p>5. Tx_Disable is an input contact with a 4.7 kΩ to 10 kΩ pullup to VccT inside the module.</p> <p>6. See 4.2.</p> <p>7. See 2.4.4.</p> <p>8. For SFF-8431 rate select definition see section 2.4.3 and 2.5. (If implementing SFF-8079 contact 7 and 9 in SFF-8431 are used for AS0 and AS1 respectively).</p> | | | | | |

2.4 LOW SPEED ELECTRICAL CONTROL CONTACTS AND 2-WIRE INTERFACE

In addition to the 2-wire serial interface, the SFP+ module has the following low speed contacts for control and status:

- Tx_Fault
- Tx_Disable
- RS0/RS1
- Mod_ABS
- Rx_LOS

2.4.1 Tx_FAULT

Tx_Fault is a module output that when high, indicates that the module transmitter has detected a fault condition related to laser operation or safety. If Tx_Fault is not implemented, the Tx_Fault contact signal shall be held low by the module and may be connected to Vee within the module.

The Tx_Fault output is an open drain/collector and shall be pulled up to the Vcc_Host in the host with a resistor in the range 4.7 k Ω to 10 k Ω , or with an active termination according to [Table 6](#).

2.4.2 Tx_DISABLE

When Tx_Disable is asserted high or left open, the SFP+ module transmitter output shall be turned off unless the module is a passive cable assembly (see [Appendix E](#)) in which case this signal may be ignored. This contact shall be pulled up to VccT with a 4.7 k Ω to 10 k Ω resistor in modules and cable assemblies. Tx_Disable is a module input contact.

When Tx_Disable is asserted low or grounded the module transmitter is operating normally.

2.4.3 RS0/RS1

RS0 and RS1 are module inputs and are pulled low to VeeT with > 30 k Ω resistors in the module. RS0 optionally selects the optical receive signaling rate coverage. RS1 optionally selects the optical transmit signaling rate coverage. For logical definitions of RS0/RS1 see [2.5](#).

These contacts can also be used for AS0 and AS1 if implementing SFF8079. See SFF8079 for details.

RS1 is commonly connected to VeeT or VeeR in the classic SFP modules. The host needs to ensure that it will not be damaged if this contact is connected to VeeT or VeeR in the module.

2.4.4 Mod_ABS

Mod_ABS is connected to VeeT or VeeR in the SFP+ module. The host may pull this contact up to Vcc_Host with a resistor in the range 4.7 k Ω to 10 k Ω . Mod_ABS is asserted "High" when the SFP+ module is physically absent from a host slot. In the SFP MSA (INF-8074i) this contact has the same function but is called MOD_DEF0.

2.4.5 SCL/SDA

SCL is the 2-wire interface clock and SDA is the 2-wire interface data line. SCL and SDA are pulled up to Vcc_Host_2w by resistors in the host. For full specifications see [Chapter 4](#).

2.4.6 Rx_LOS

Rx_LOS when high indicates an optical signal level below that specified in the relevant standard. Rx_LOS is an open drain/collector output, but may also be used as an input by supervisory circuitry in the module. For a nominally 3.3 V Vcc_Host using a resistive pull up to Vcc_Host the resistor value shall be in the range 4.7 k Ω to 10 k Ω . For a nominally 2.5 V Vcc_Host using a resistive pull up to Vcc_Host the resistor value shall be in the range 4.7 k Ω to 7.2 k Ω . Alternatively, an active termination according to [Table 6](#) may be used.

The Rx_LOS signal is intended as a preliminary indication to the host in which the module is installed that the received signal strength is below the specified range. Such an indication typically points to non-installed cables, broken cables, or a disabled, failing or a powered off transmitter at the far end of the cable. Additional indications are provided by the host in which the module is installed to verify that the information being transmitted is valid, correctly encoded, and in the correct format. Such additional indications are outside the scope of the module specification.

Rx_LOS may be an optional function depending on the supported standard. If the Rx_LOS function is not implemented, or is reported via the two-wire interface only, the Rx_LOS contact shall be held low by the module and may be connected to Vee within the module.

Rx_LOS assert min and de-assert max are defined in the relevant standard. To avoid spurious transition of Rx_LOS a minimum hysteresis of 0.5 dBo is recommended.

2.5 RATE SELECT HARDWARE CONTROL

The SFP+ module provides two inputs RS0 and RS1 that can optionally be used for rate selection. RS0 controls the receive path signalling rate capability, and RS1 controls the transmit path signalling rate capability, as defined in [Table 4](#). The host and module may choose to use either, both, or none of these functions. Because contact 9 in the classic SFP INF-8074i is connected to VeeR, an SFP+ host utilizing RS1 must provide short circuit protection.

This rate select functionality can also be controlled by software as defined by SFF-8472.

Optionally the rate select methods of Part 2 of SFF-8079 may be used instead of the method described here by setting the management declaration bit (A0h byte 93 bit 2) to 1, see SFF-8472.

Table 4 Rate Select Hardware Control Contacts

| <i>Parameter</i> | <i>State</i> | <i>Conditions</i> |
|------------------|--------------|---|
| RS0 | Low | RX signalling rate less than or equal to 4.25 GBd |
| | High | RX signalling rate greater than 4.25 GBd |
| RS1 | Low | TX signalling rate less than or equal to 4.25 GBd |
| | High | TX signalling rate greater than 4.25 GBd |

2.6 LOW SPEED ELECTRICAL SPECIFICATIONS

SFP+ low speed signalling is based on Low Voltage TTL (LVTTL) operating with a module supply of 3.3 V +/-5% and with a host supply range of 2.38 to 3.46 V.

The 2-wire interface protocol and electrical specifications are defined in [Chapter 4](#).

2.6.1 MODULE LOW SPEED ELECTRICAL SPECIFICATIONS

The SFP+ module low speed electrical specifications are given in [Table 5](#). All I/O powered by VccT is referenced to VeeT and similarly VccR is referenced to VeeR.

Table 5 Low Speed Module Electrical Specifications

| <i>Parameter</i> | <i>Symbol</i> | <i>Min.</i> | <i>Max.</i> | <i>Unit</i> | <i>Conditions</i> |
|--|------------------------------|-------------|-------------|-------------|--|
| Module Vcc | VccT, VccR | 3.14 | 3.46 | V | |
| Tx_Fault, Rx_LOS | V _{OL} | -0.3 | 0.40 | V | At 0.7 mA ¹ |
| | I _{OH} ¹ | -50 | 37.5 | μA | Measured with a 4.7 kΩ load pulled up to Vcc_Host where Vcc_Host_min < Vcc_host < Vcc_Host_max |
| Tx_Disable, RS0, RS1 | V _{IL} | -0.3 | 0.8 | V | |
| | V _{IH} | 2.0 | VccT + 0.3 | V | |
| 1. Positive values indicate current flowing into the module. | | | | | |

2.6.2 HOST LOW SPEED ELECTRICAL SPECIFICATIONS

The SFP+ Host low speed electrical specifications are given in [Table 6](#). All I/O powered by VccT is referenced to VeeT and similarly VccR is referenced to VeeR.

Table 6 Low Speed Host Electrical Specifications

| <i>Parameter</i> | <i>Symbol</i> | <i>Min.</i> | <i>Max.</i> | <i>Unit</i> | <i>Conditions</i> |
|--|-----------------|-------------|-------------|-------------|---|
| Host Vcc Pullup | Vcc_Host | 2.38 | 3.46 | V | |
| Tx_Fault, Rx_LOS | V _{IL} | see 1 | see 1 | V | |
| | V _{IH} | see 1 | see 1 | V | |
| Tx_Disable | V _{OL} | -0.3 | 0.4 | V | V _{OL} measured with 4.7 kΩ to 10 kΩ pull up to VccT max |
| | V _{OH} | VccT-0.5 | VccT + 0.3 | V | V _{OH} measured with 10 kΩ pull up to VccT min |
| RS0, RS1 | V _{OL} | -0.3 | 0.4 | V | V _{OL} measured with no load |
| | V _{OH} | 2.2 | VccT + 0.3 | V | V _{OH} measured with 30 kΩ to VeeR. |
| 1. Determined by host design, such that V _{IH} > 2.1 V for the range of I _{OH} in Table 5. One option is using standard LVTTTL input with a pull-up to Vcc_Host in the range 4.7 kΩ to 10 kΩ | | | | | |

2.7 TIMING REQUIREMENT OF CONTROL AND STATUS I/O

The timing requirements of control and status I/O are defined in [Table 7](#).

Table 7 Timing Parameters for SFP+ Management

| <i>Parameter</i> | <i>Symbol</i> | <i>Min.</i> | <i>Max.</i> | <i>Unit</i> | <i>Conditions</i> |
|---|-----------------------|-------------|-------------|-------------|--|
| Tx_Disable assert time | t_off | | 100 | μs | Rising edge of Tx_Disable to fall of output signal below 10% of nominal |
| Tx_Disable negate time | t_on | | 2 | ms | Falling edge of Tx_Disable to rise of output signal above 90% of nominal. This only applies in normal operation, not during start up or fault recovery. |
| Time to initialize 2-wire interface | t_2w_start_up | | 300 | ms | From power on or hot plug after the supply meeting Table 8 . |
| Time to initialize | t_start_up | | 300 | ms | From power supplies meeting Table 8 or hot plug or Tx disable negated during power up, or Tx_Fault recovery, until non-cooled power level I part (or non-cooled power level II part already enabled at power level II for Tx_Fault recovery) is fully operational. |
| Time to initialize cooled module and time to power up a cooled module to Power Level II | t_start_up_cooled | | 90 | s | From power supplies meeting Table 8 or hot plug, or Tx disable negated during power up or Tx_Fault recovery, until cooled power level I part (or cooled power level II part during fault recovery) is fully operational. Also, from stop bit low-to-high SDA transition enabling Power Level II until cooled module is fully operational |
| Time to Power Up to Level II | t_power_level2 | | 300 | ms | From stop bit low-to-high SDA transition enabling power level II until non-cooled module is fully operational |
| Time to Power Down from Level II | t_power_down | | 300 | ms | From stop bit low-to-high SDA transition disabling power level II until module is within power level I requirements |
| Tx_Fault assert | Tx_Fault_on | | 1 | ms | From occurrence of fault to assertion of Tx_Fault |
| Tx_Fault assert for cooled module | Tx_Fault_on_cooled | | 50 | ms | From occurrence of fault to assertion of Tx_Fault |
| Tx_Fault Reset | t_reset | 10 | | μs | Time Tx_Disable must be held high to reset Tx_Fault |
| RS0, RS1 rate select timing for FC | t_RS0_FC, t_RS1_FC | | 500 | μs | From assertion till stable output |
| RS0, RS1 rate select timing non FC | t_RS0, t_RS1 | | 24 | ms | From assertion till stable output |
| Rx_LOS assert delay | t_los_on | | 100 | μs | From occurrence of loss of signal to assertion of Rx_LOS |
| Rx_LOS negate delay | t_los_off | | 100 | μs | From occurrence of presence of signal to negation of Rx_LOS |

2.7.1 MODULE POWER ON INITIALIZATION PROCEDURE, Tx_Disable NEGATED

During power on of the module, Tx_Fault, if implemented, may be asserted (high) as soon as power supply voltages are within specification. For module initialization with Tx_Disable negated, Tx_Fault shall be negated when the transmitter safety circuitry, if implemented, has detected that the transmitter is operating in its normal state. If a transmitter fault has not occurred, Tx_Fault shall be negated within a period t_{start_up} from the time that $V_{CC}T$ exceeds the specified minimum operating voltage (see Table 8). If the Tx_Fault remains asserted after t_{start_up} , the host shall determine whether the module is cooled by reading the status bit over 2-wire interface. If the module is not cooled, the host may assume that a transmission fault has occurred. If the module is cooled, the host may assume that a transmission fault has occurred if Tx_Fault remains asserted beyond $t_{start_up_cooled}$.

The power on initialization timing for a module with Tx_Disable negated is shown in Figure 3.

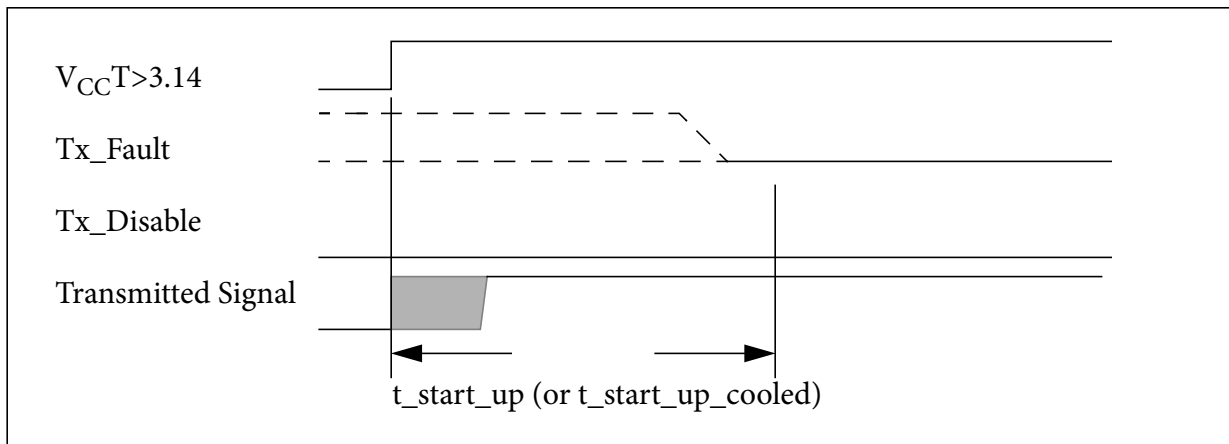


Figure 3 Power on initialization of module, Tx_Disable negated

2.7.2 MODULE POWER ON INITIALIZATION PROCEDURE, Tx_Disable ASSERTED.

For module power on initialization with Tx_Disable asserted, the state of Tx_Fault is not defined while Tx_Disable is asserted. After Tx_Disable is negated, Tx_Fault may be asserted while safety circuit initialization is performed. Tx_Fault shall be negated when the transmitter safety circuitry, if implemented, has detected that the transmitter is operating in its normal state. If a transmitter fault has not occurred, Tx_Fault shall be negated within a period t_{start_up} from the time that Tx_Disable is negated. If Tx_Fault remains asserted beyond the period t_{start_up} , the host may assume that a transmission fault has been detected by the module.

If no transmitter safety circuitry is implemented, the Tx_Fault signal may be tied to its negated state.

The power on initialization timing for a module with Tx_Disable asserted is shown in [Figure 4](#).

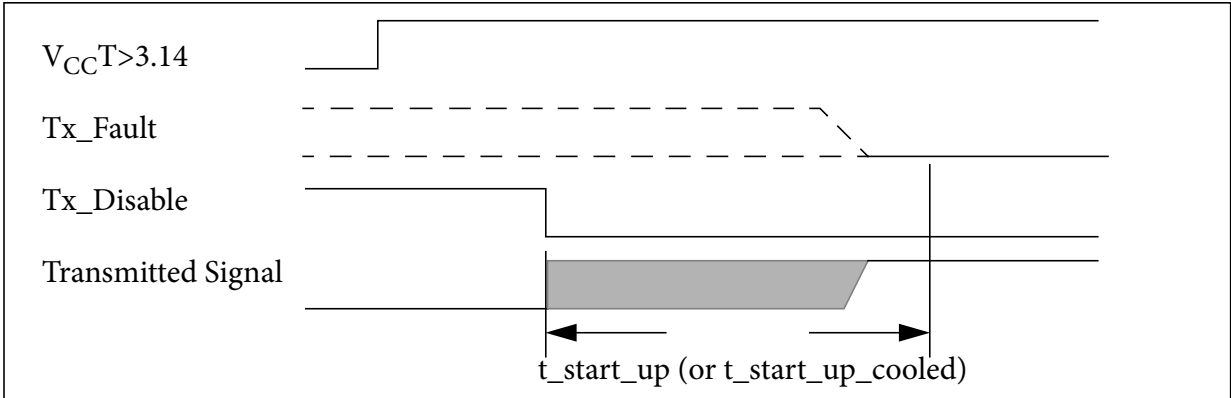


Figure 4 Power on initialization of module, Tx_Disable asserted

2.7.3 INITIALIZATION DURING HOT PLUGGING

When a module is not installed, Tx_Fault is held to the asserted state by the pull up circuits on the host. As the module is installed, contact is made with the ground, voltage, and signal contacts in the specified order. After the module has determined that $V_{CC} T$ has reached the specified value, the power on initialization takes place as described in the previous section. An example of initialization during hot plugging is provided in [Figure 5](#).

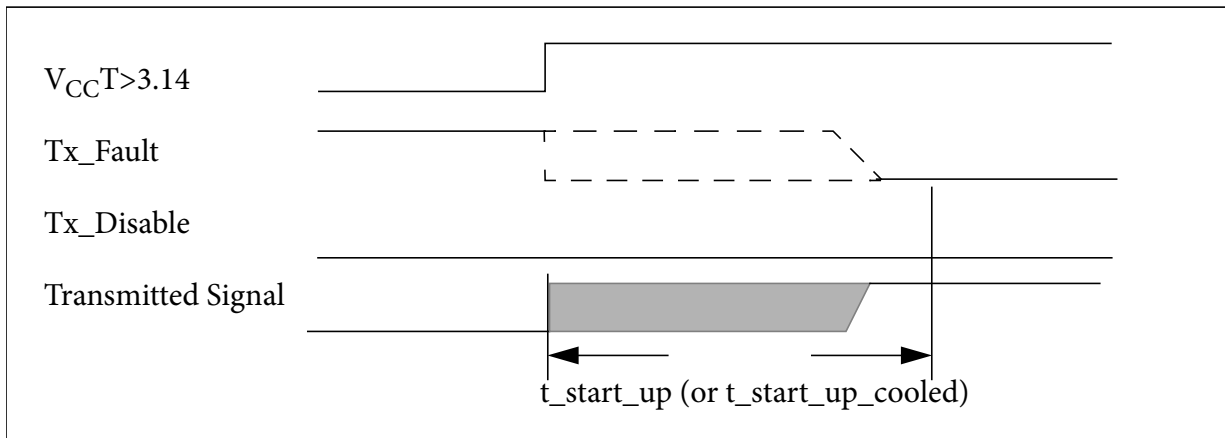


Figure 5 Example of initialization during hot plugging, Tx_Disable negated.

2.7.4 TRANSMITTER MANAGEMENT

The timing requirements for the management of optical outputs from the module using the Tx_Disable signal are shown in [Figure 6](#). Note that t_{on} time refers to the maximum delay until the modulated optical signal reaches 90% of the final value, not just the average optical power.

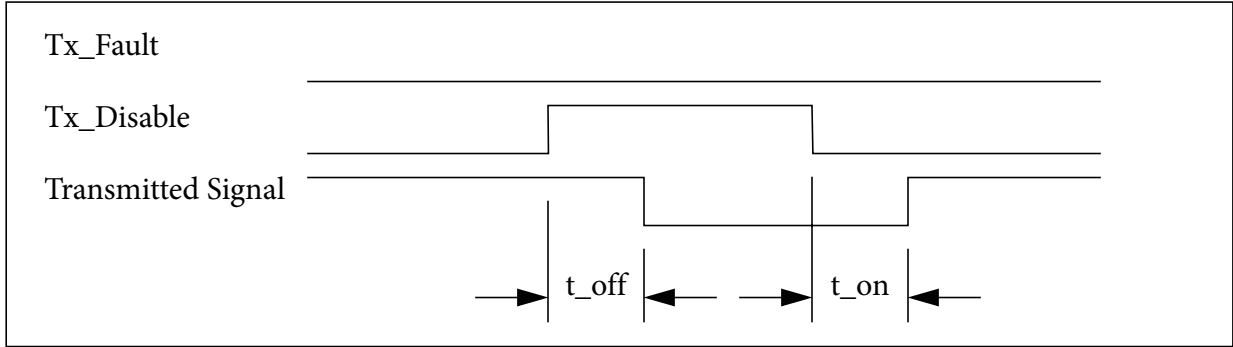


Figure 6 Management of module during normal operation, Tx_Disable implemented

2.7.5 TRANSMITTER SAFETY DETECTION AND PRESENTATION

If Tx_Fault is implemented it shall meet the timing requirements of [Figure 7](#).

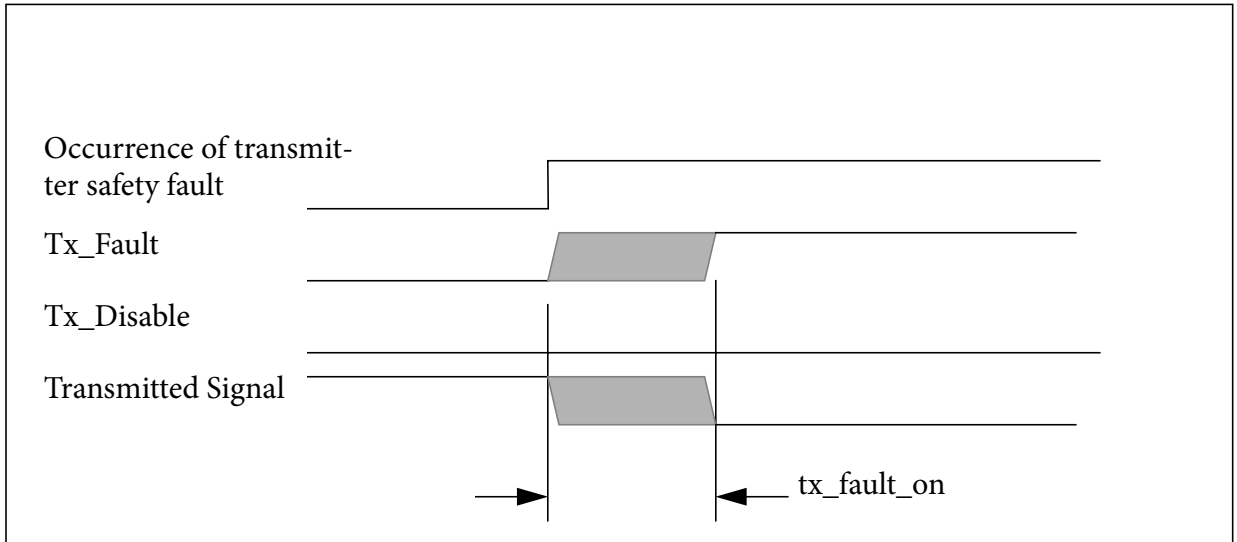


Figure 7 Occurrence of condition generating Tx_Fault

2.7.6 MODULE FAULT RECOVERY

The detection of a safety-related transmitter fault condition presented by Tx_Fault shall be latched. The following protocol may be used to reset the latch in case the transmitter fault condition is transient.

To reset the fault condition and associated detection circuitry, Tx_Disable shall be asserted for a minimum of t_{reset} . Tx_Disable shall then be negated. Alternatively the Software Tx disable is asserted and negated. In less than the maximum value of t_{start_up} the optical transmitter will correctly reinitialize the laser circuits, negate Tx_Fault, and begin normal operation if the fault condition is no longer present. If a fault condition is detected during the reinitialization, Tx_Fault shall again be asserted, the fault condition again latched, and the optical transmitter circuitry will again be disabled until the next time a reset protocol is attempted. The manufacturer of the module shall ensure that the optical power emitted from an open connector or fiber is compliant with applicable eye safety requirements during all reset attempts, during normal operation or upon the occurrence of reasonable single fault conditions. The module may require internal protective circuitry to prevent the frequent assertion of the Tx_Disable signal from generating frequent pulses of energy that violate the safety requirements. The timing for successful recovery from a transient safety fault condition is shown in [Figure 8](#).

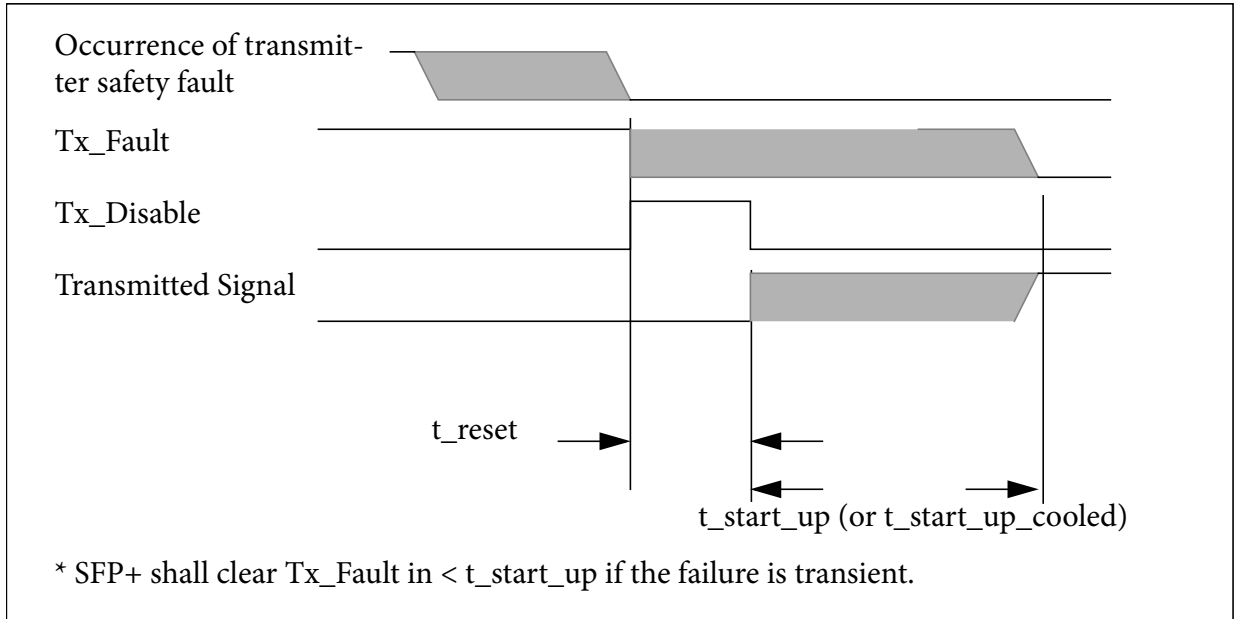


Figure 8 Successful recovery from transient safety fault condition

An example of an unsuccessful recovery, where the fault condition was not transient, is shown in [Figure 9](#).

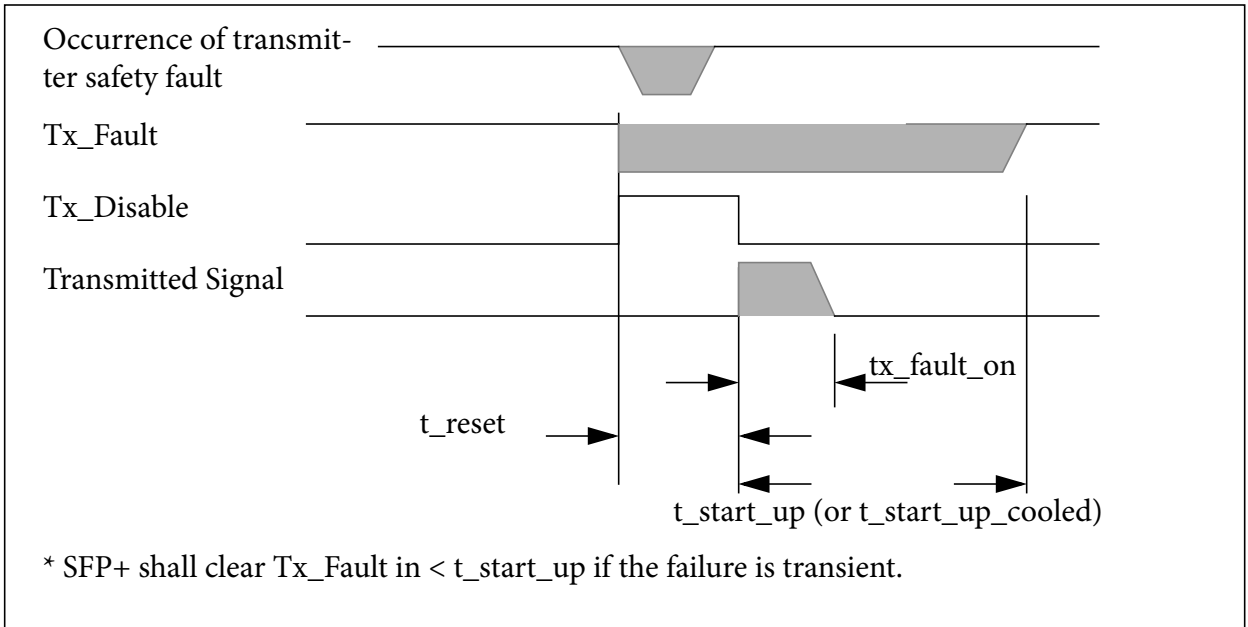


Figure 9 Unsuccessful recovery from safety fault condition

2.7.7 MODULE LOSS OF SIGNAL INDICATION

If the module is specified as implementing Rx_LOS, the timing is specified in [Figure 10](#).

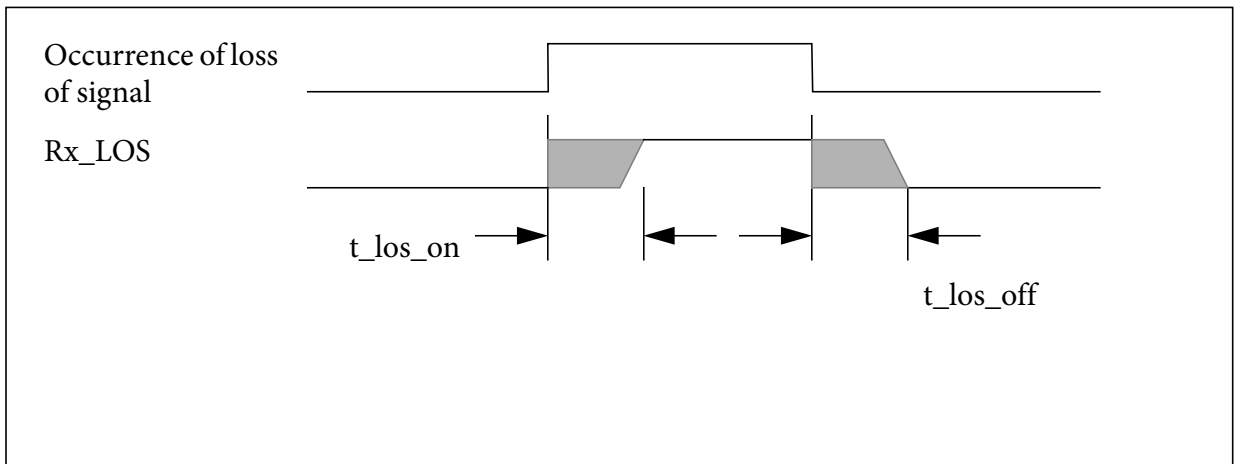


Figure 10 Timing of Rx_LOS detection

2.8 SFP+ POWER REQUIREMENT

The module host has two 3.3 V power contacts, one supplying the module transmitter voltage (VccT) and the other supplying the module receiver voltage (VccR). The maximum current capacity, both continuous and peak, for each connector contact is 500 mA.

SFP+ module maximum power consumption shall meet one of the following power classes:

- Power Level I modules – Up to 1.0 W
- Power Level II modules – Up to 1.5 W

To avoid exceeding system power supply limits and cooling capacity, all modules at power up by default shall operate with ≤ 1.0 W. Hosts supporting Power Level II operation may enable a Power Level II module through the 2-wire interface. Power Level II modules shall assert the power level declaration bit of SFF-8472.

The maximum power level is allowed to exceed the classified power level for 500 ms following hot insertion or power up, or Power Level II authorization, however the current is limited to values given by [Table 8](#) and illustrated in [Figure 11](#).

At host power up the host shall supply VccT and VccR to the module within 100 ms of each other.

2.8.1 MODULE POWER SUPPLY REQUIREMENTS

SFP+ module operates from the host supplied VccT and VccR. To protect the host and system operation, each SFP+ module during hot plug and normal operation shall follow the requirements listed in [Table 8](#) and illustrated by [Figure 11](#). The requirements for current apply to the current through each inductor of [Figure 56](#) while the power supply voltages are defined at the SFP+ connector.

2.8.2 HOST POWER SUPPLY NOISE OUTPUT

The host shall generate an effective weighted integrated spectrum RMS noise less than 25 mV in the frequency range 10 Hz to 10 MHz, according to the methods of [D.17.1](#)

2.8.3 MODULE POWER SUPPLY NOISE OUTPUT

The module shall generate less than 15 mV RMS noise at point X of [Figure 56](#) in the frequency range 10Hz to 10MHz, according to the methods of [D.17.2](#).

2.8.4 POWER SUPPLY NOISE TOLERANCE

SFP+ modules shall meet all electrical requirements and remain fully operational in the presence of a sinusoidal tolerance signal of amplitude given by

[Table 8](#) swept from 10 Hz to 10 MHz according to the methods of [D.17.3](#). This emulates the worst case noise of the host.

It is also desirable for a module and host to each tolerate a degree of random or semi-random noise on both VccT and VccR simultaneously, but the characteristics of this noise are beyond the scope of this document.

Table 8 SFP+ Module Power Supply Requirements

| <i>Parameters</i> | <i>Symbol</i> | <i>Conditions</i> | <i>Min</i> | <i>Max</i> | <i>Units</i> |
|--|---------------|----------------------------|------------|------------|--------------|
| <i>Power Level I Module</i> | | | | | |
| Power supply noise tolerance including ripple [peak-to-peak] | | see D.17.3 | | 66 | mV |
| Power supply voltages including ripple, droop and noise below 100 kHz | VccT, VccR | Note 1 | 3.14 | 3.46 | V |
| Instantaneous peak current at hot plug | | Note 2, 3 | | 400 | mA |
| Sustained peak current at hot plug | | Note 2, 3, 5 | | 330 | mA |
| Module maximum power consumption | | | | 1.0 | W |
| <i>Power Level II Module</i> | | | | | |
| Power supply noise tolerance including ripple [peak-to-peak] | | see D.17.3 | | 66 | mV |
| Power supply voltages including ripple, droop and noise below 100 kHz | VccT, VccR | Note 1 | 3.14 | 3.46 | V |
| Instantaneous peak current at hot plug | | Note 2, 3 | | 400 | mA |
| Sustained peak current at hot plug | | Note 2, 3, 5 | | 330 | mA |
| Instantaneous peak current on enabling Power Level II | | Note 2, 3, 5 | | 600 | mA |
| Module sustained peak current on enabling Power Level II | | Note 2, 3, 5 | | 500 | mA |
| Module maximum power consumption | | | | 1.5 | W |
| Maximum power consumption at power up | | Note 4 | | 1 | W |
| <ol style="list-style-type: none"> 1. Set point is measured at the input to the connector on the host board reference to Vee. Droop is any temporary drop in voltage of the power supply such as that caused by plugging in another module or when enabling another module to Power Level II. 2. The requirements for current apply to the current through each inductor of Figure 56. 3. The maximum currents are the allowed currents for each power supply VccT or VccR, therefore the total module peak currents can be twice this value. The instantaneous peak current is allowed to exceed the specified maximum current capacity of the connector contact for a short period, see Figure 11. 4. Maximum module power consumption shall not exceed 1.0 W from 500ms after power up until level II operation is enabled. 5. Not to exceed the sustained peak limit for more than 50 μs; may exceed this limit for shorter durations. | | | | | |

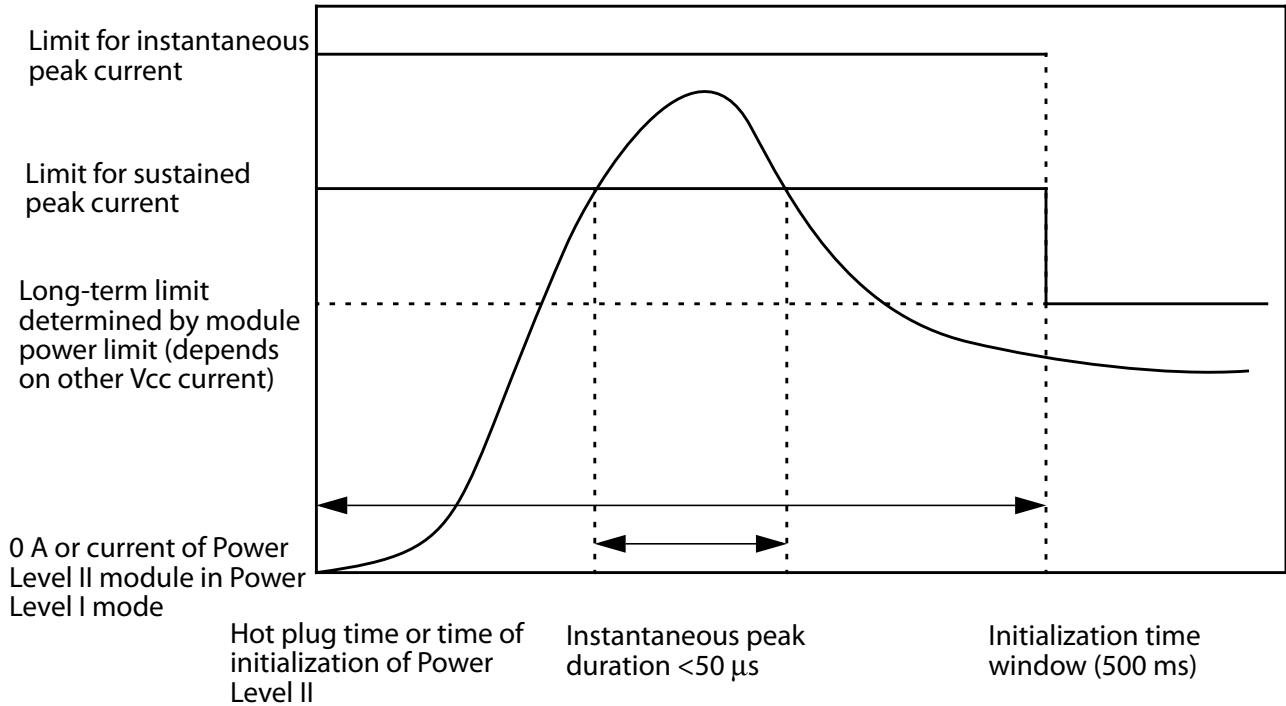


Figure 11 Instantaneous and sustained peak current for VccT or VccR

2.9 ESD

The SFP+ module and host SFI contacts (High Speed Contacts) shall withstand 1000 V electrostatic discharge based on Human Body Model per JEDEC JESD22-A114-B.

The SFP+ module and all host contacts with exception of the SFI contacts (High Speed Contacts) shall withstand 2 kV electrostatic discharge based on Human Body Model per JEDEC JESD22-A114-B.

The SFP+ module shall meet ESD requirements given in EN61000-4-2, criterion B test specification such that units are subjected to 15 kV air discharges during operation and 8 kV direct contact discharges to the case.

CHAPTER 3 HIGH SPEED ELECTRICAL SPECIFICATION SFI

3.1 INTRODUCTION

SFI signalling is based on differential high speed low voltage logic with AC-coupling in the module. SFI was developed with the primary goal of low power and low electromagnetic interference (EMI). To satisfy this requirement the nominal differential signal levels are ~500 mV p-p with edge speed control to reduce EMI. SFP+ compliant hosts are allowed to support just linear modules, just limiting modules, or both linear and limiting modules.

3.2 SFI APPLICATIONS DEFINITION

The application reference model for SFI connects a high speed ASIC/SERDES to the SFP+ module as shown in Figure 12. The SFI interface is designed to support IEEE 802.3 10Gig standards Clauses 49, 50, and 51, and 10GFC. For all other FC signalling rates see FC-PI-4. SFI supported signalling rates are listed in Table 9. SFP+ compliant modules and hosts may support one or more of the signalling rates listed in Table 9. For 10GSFP+Cu (direct attach copper) specifications and applications reference model, see Appendix E.

Table 9 SFI Supported signalling Rates

| Standard | Description | signalling Rate | Units |
|------------------------------------|----------------------|-----------------|-------|
| IEEE std-802.3 Clause 50 | 10GBASE-W WAN PHY | 9.95328 | GBd |
| IEEE std-802.3 Clause 49 | 10GBASE-R LAN PHY | 10.3125 | GBd |
| Fibre Channel - 10 Gigabit (10GFC) | 10GFC | 10.51875 | GBd |
| 10Gig Ethernet with FEC | 10GBASE-R over G.709 | 11.10 | GBd |

The SFI interface operates from 9.95 to 11.1 GBd.

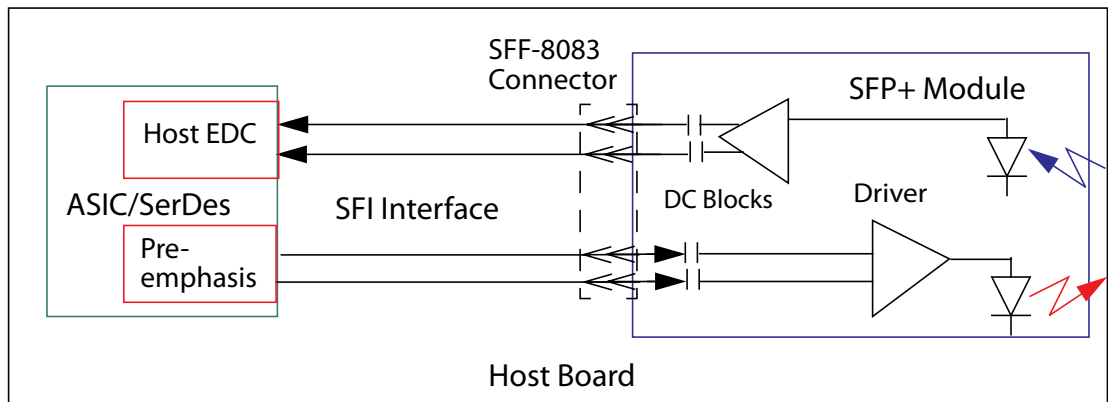


Figure 12 SFI Application Reference Model

3.3 SFI TEST POINTS DEFINITION AND MEASUREMENTS

SFI reference compliance test points are defined with the Host Compliance Board and the Module Compliance Board for measurement consistency, see [Appendix C](#). The reference test boards provide a set of overlapping measurements for ASIC/SerDes, module, and host validation to ensure interoperability. For improved measurement accuracy the actual reference test card responses may be calibrated out of the measurements and replaced with functions that represent the ideal responses defined in [Appendix C](#) for the reference test cards.

Points A, B, C, and D require AC coupled test equipment. All SFI test equipment must have 50 Ω single ended impedance on all test ports.

The reference impedance for differential measurements and S-parameters is 100 Ω , and the reference impedance for common mode measurements and S-parameters is 25 Ω .

The bandwidth of measurement instrument shall be 12 GHz unless specified otherwise.

SFI reference points are listed in [Table 10](#).

Table 10 SFI Reference Points

| <i>Compliance point</i> | <i>Designation</i> |
|--------------------------|------------------------|
| ASIC/SerDes output | A |
| Host output | B |
| Host input | C |
| ASIC/SerDes input | D |
| Module input | B' |
| Module output | C' |
| Module input calibration | B'' (double quotation) |
| Host input calibration | C'' (double quotation) |

3.3.1 HOST COMPLIANCE POINTS

Host system transmitter and receiver compliance are defined by tests in which a Host Compliance Board is inserted as shown in [Figure 13](#) in place of the SFP+ module. The Host Compliance Board meets the specifications of [Appendix C](#). The compliance points are B and C.

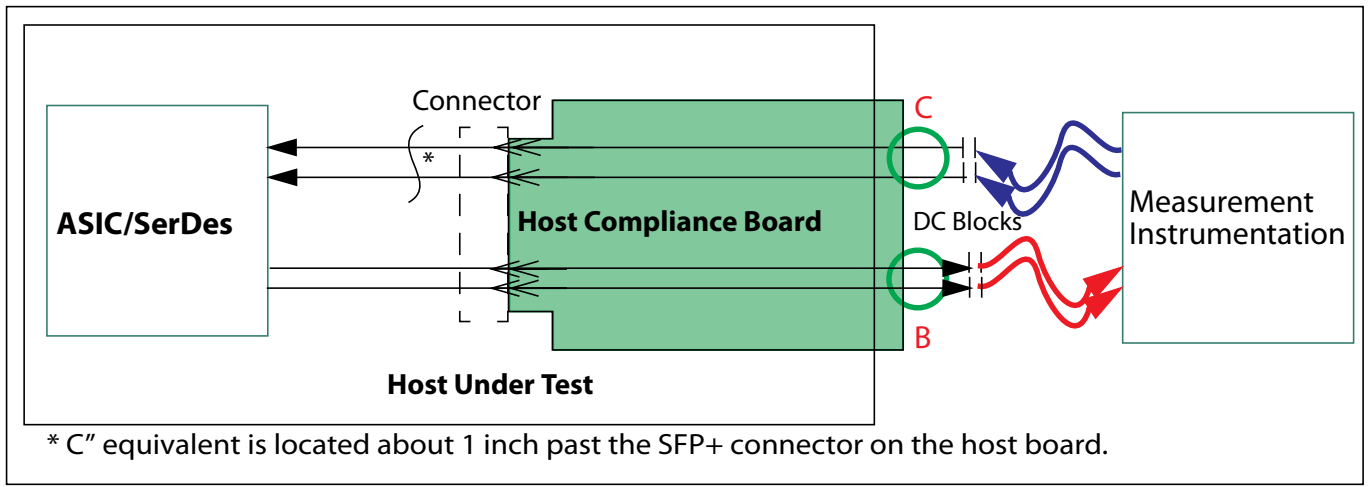


Figure 13 Host Compliance Board

SFP+ host compliance points are defined as the following:

- B: Host transmitter output at the output of the Host Compliance Board. Specifications for B are given in [3.5.1](#).
- C: Host receiver input at the input of the Host Compliance Board. Specifications for C are given in [3.5.2](#).

3.3.2 MODULE COMPLIANCE POINTS

Module transmitter and receiver compliance are defined by tests in which the module is inserted into the Module Compliance Board as shown in [Figure 14](#). The Module Compliance Board meets the specifications of [Appendix C](#). The compliance points for the module are B' and C'.

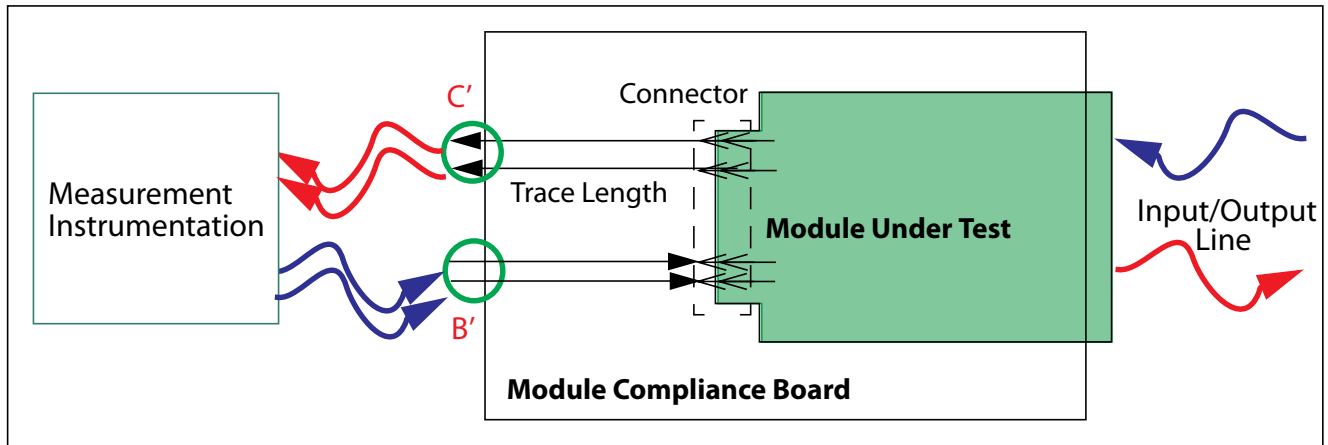


Figure 14 Module Compliance Board

SFP+ module compliance points are defined as the following:

- B': SFP+ module transmitter input at the input of the Module Compliance Board. Specifications for B' are given in [3.6.1](#).
- C': SFP+ module receiver output at the output of the Module Compliance Board. Specifications for C' are given in [3.6.2](#).

3.3.3 ASIC/SERDES TEST POINTS (INFORMATIVE)

ASIC/SerDes transmitter and receiver may be tested on a test board as shown in [Figure 15](#) with nominal trace response as specified by [C.1.3](#) to avoid degradation due to excessive trace loss and to ensure consistent measurements.

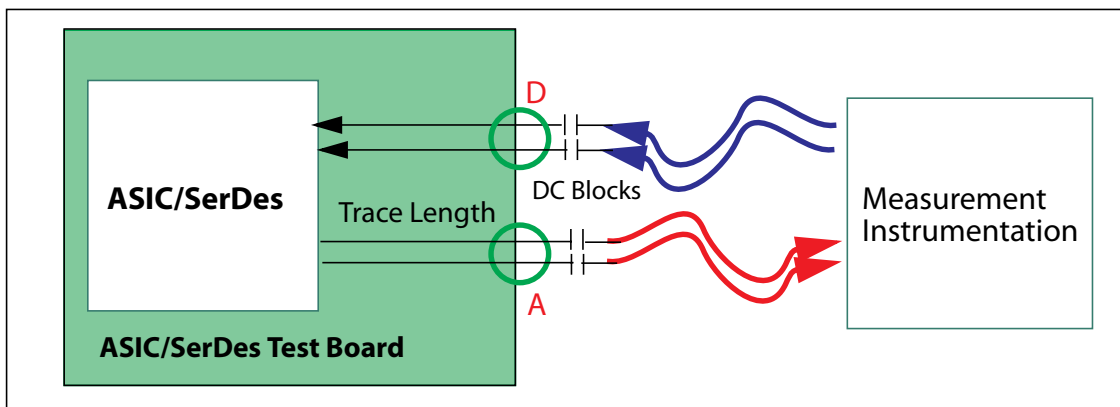


Figure 15 ASIC/SerDes Test Board

SFI ASIC/SerDes test points are defined as the following:

- A: SerDes transmitter output at the output of the ASIC/SerDes Test Board. Recommendations for A are given in [B.2](#).
- D: ASIC/SerDes receiver input at the input of the ASIC/SerDes Test Board. Recommendations for D are given in [B.3](#).

3.3.4 HOST INPUT CALIBRATION POINT

Host receiver input tolerance signals are calibrated through the Host Compliance Board at the output of the Module Compliance Board as shown in [Figure 16](#). The host input calibration point is at C'' with specifications for C'' given in [3.5.2](#). The response between the connector and C'' is specified by [C.1.2](#).

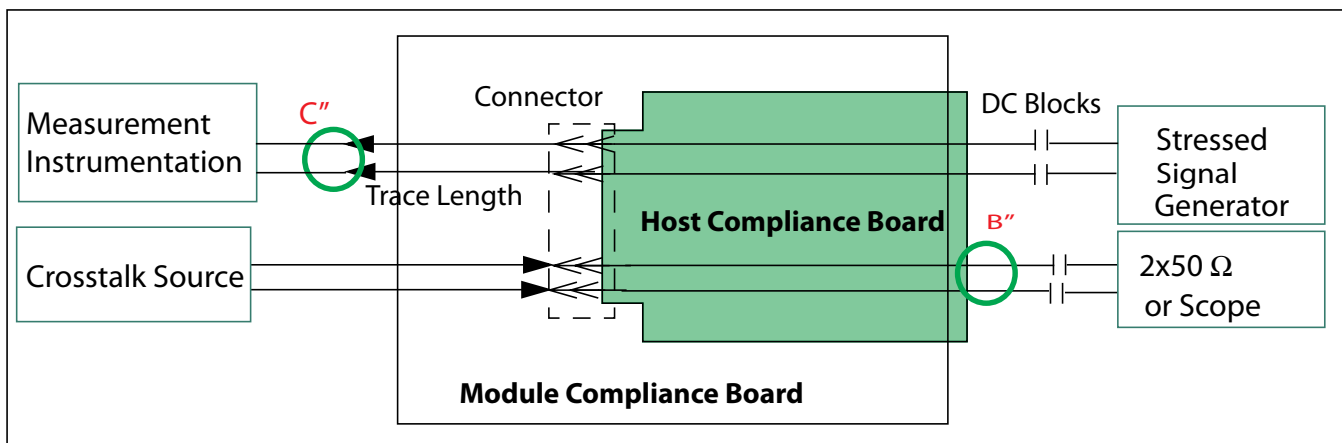


Figure 16 Host input calibration point C'' and crosstalk source calibration point B''

3.3.5 MODULE INPUT CALIBRATION POINT

Module transmitter input tolerance signals are calibrated through the Module Compliance Board at the output of the Host Compliance Board as shown in [Figure 17](#). The module input calibration point is at B'' with specifications for B'' given in [3.6.1](#). The response between the connector and B'' is specified by [C.1.1](#).

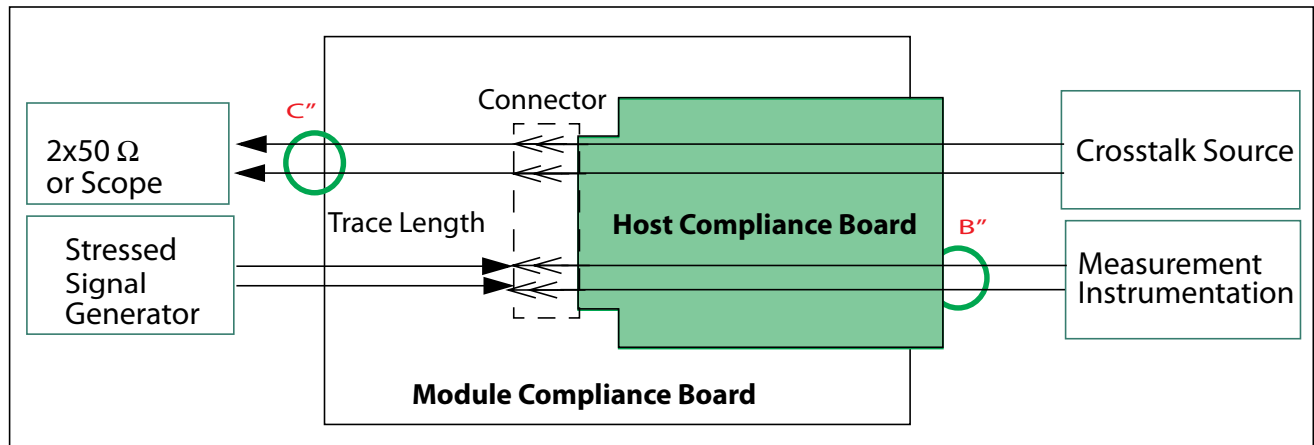


Figure 17 Module input calibration point B'' and crosstalk source calibration point C''

3.4 SFI TERMINATION AND DC BLOCKING

The SFI link uses nominal $100\ \Omega$ differential source and load terminations on both the host board and the module. The SFI transmitter provides both differential and common mode termination. The SFI transmitter and receiver termination specifications for each of the compliance points are given by:

- Host – [3.5 SFP+ Host System Specifications](#)
- Module – [3.6 SFP+ Module Specifications](#).

Host SerDes termination recommendations are given by:

- ASIC/SerDes – [Appendix B](#)

SFP+ modules shall incorporate blocking capacitors or equivalent on all SFI inputs and outputs as shown in [Figure 18](#). The SFI transmitter is represented by terminations Z_p and Z_n which form a $100\ \Omega$ differential source. Each termination has a nominal value of $50\ \Omega$, and therefore the common mode impedance is $25\ \Omega$. The SFI receiver is represented with termination Z_{diff} with nominal $100\ \Omega$ value. This representation is not intended to preclude the use of other implementations which may provide common mode termination, however the SFI specification does not require any common mode termination at the receiver. If common mode terminations are provided, it may reduce common mode voltage and EMI.

It is recommended that both the module and the host use transmission lines targeted to have 100 Ω differential impedance with about 7% coupling. SFP+ percent differential coupling is defined by the following equation:

$$Coupling = \frac{Z_{cm} \times 4 - Z_{diff}}{Z_{cm} \times 4 + Z_{diff}} \times 100$$

Where Z_{cm} is the common mode impedance and Z_{diff} is the differential impedance.

Differential traces with nominal 7% coupling offer a good compromise between reasonable common mode match and practical transmission line geometries. These are the targets for the module and host Compliance Boards described in [Appendix C](#).

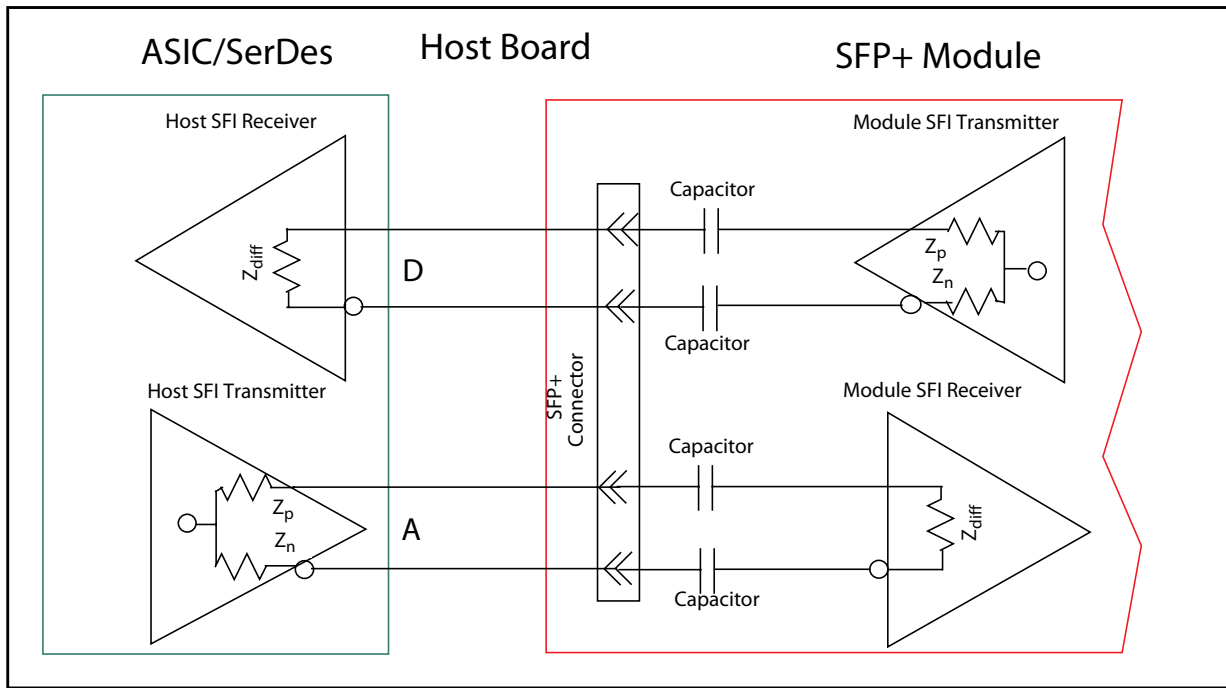


Figure 18 SFI Termination and AC Coupling

3.5 SFP+ HOST SYSTEM SPECIFICATIONS

SFP+ host system transmitter specifications at compliance point B are given in [3.5.1](#). SFP+ Host system receiver specifications at compliance point C are given in [3.5.2](#).

All specifications are to be met at the host compliance test points defined in [3.3.1](#).

The solder pads for the high speed traces in the SFF-8431 Module Compliance Board are 1.1x0.4 mm to improve high frequency performance instead of 2.0x0.5 mm as defined in the SFF-8083 for improved manufacturability. Trade-off between host performance and manufacturability are left to the host designer. For detailed geometry of the Module Compliance Board, see the Gerber files in [C.3.4](#).

Warning: The host expects DC blocking in the module, and for improved performance the Host Compliance Board is not required to incorporate DC blocks. DC blocking within the test equipment or between the host and the equipment is necessary for all host SFI signals.

3.5.1 HOST TRANSMITTER OUTPUT SPECIFICATIONS AT B

SFP+ host transmitter electrical specifications defined at compliance point B are given in [Table 11](#) and [Table 12](#). These specifications are defined at the output of the Host Compliance Board specified in [C.2](#). Host transmitters must provide adequate low frequency signal response for the applications supported.

Table 11 Host Transmitter Output Electrical Specifications at B

| <i>Parameter - B</i> | <i>Symbol</i> | <i>Conditions</i> | <i>Min</i> | <i>Max</i> | <i>Units</i> |
|-----------------------------------|---------------|-------------------------------------|------------|------------|--------------|
| Termination Mismatch at 1 MHz | ΔZ_M | See D.16, Figure 55 | | 5 | % |
| Single Ended Output Voltage Range | | | -0.3 | 4.0 | V |
| Output AC Common Mode Voltage | | See D.15 | | 15 | mV (RMS) |
| Differential Output S-parameter | SDD22 | 0.01 to 2 GHz | | -12 | dB |
| | | 2 to 11.1 GHz | | see 1 | dB |
| Common Mode Output S-parameter | SCC22 | 0.01 to 2.5 GHz | | see 2 | dB |
| | | 2.5 to 11.1 GHz | | -3 | dB |

1. Reflection coefficient given by equation $SDD22(\text{dB}) < -6.68 + 12.1 \times \log_{10}(f/5.5)$, with f in GHz.
2. Reflection coefficient given by equation $SCC22(\text{dB}) < -7 + 1.6 \times f$, with f in GHz.

The specification of common mode output return loss reduces EMI and noise by absorbing common mode reflections and noise.

The SFI jitter specifications at reference point B are listed in [Table 12](#) and the compliance mask is shown in [Figure 19](#). As baseline wander can create low probability eye closure which is not detected by the 5×10^{-5} mask hit ratio, baseline wander must be controlled so as not to significantly degrade the signal at B.

Table 12 Host Transmitter Output Jitter and Eye Mask Specifications at B

| <i>Parameters- B</i> | <i>Symbol</i> | <i>Conditions</i> | <i>Min</i> | <i>Target Value</i> | <i>Max</i> | <i>Units</i> |
|---|-----------------|--|--------------|---------------------|--------------|--------------|
| Crosstalk Source Rise/Fall time (20% to 80%) | Tr, Tf | See 1, 2, D.6 | | 34 | | ps |
| Crosstalk Source Amplitude (p-p differential) | | See 1, 2, D.7 | | 1000 | | mV |
| Signal Rise/Fall time (20% to 80%) | Tr, Tf | See D.6 | 34 | | | ps |
| Total Jitter | TJ | See D.5 | | | 0.28 | UI(p-p) |
| Data Dependent Jitter | DDJ | See D.3 | | | 0.1 | UI(p-p) |
| Data Dependent Pulse Width Shrinkage | DDPWS | | | | 0.055 | UI (p-p) |
| Uncorrelated Jitter | UJ | See 3 and D.4 | | | 0.023 | UI (RMS) |
| Transmitter Q _{sq} | Q _{sq} | See 4 | 50 | | | |
| <i>Parameters- B</i> | <i>Symbol</i> | <i>Conditions</i> | <i>Value</i> | | <i>Units</i> | |
| Eye Mask | X1 | Mask hit ratio of 5×10^{-5} , See D.2 and Figure 19 | 0.12 | | UI | |
| Eye Mask | X2 | | 0.33 | | UI | |
| Eye Mask | Y1 | | 95 | | mV | |
| Eye Mask | Y2 | | 350 | | mV | |

1. Measured at C'' with Host Compliance Board and Module Compliance Board pair, see [Figure 17](#).
2. Since the minimum module output transition time is faster than the crosstalk transition time the amplitude of crosstalk source is increased to achieve the same slew rate.
3. It is not possible to have the maximum UJ and meet the TJ specifications if the UJ is all Gaussian.
4. $Q_{sq}=1/RN$ if the one level and zero level noises are identical and see [D.8](#).

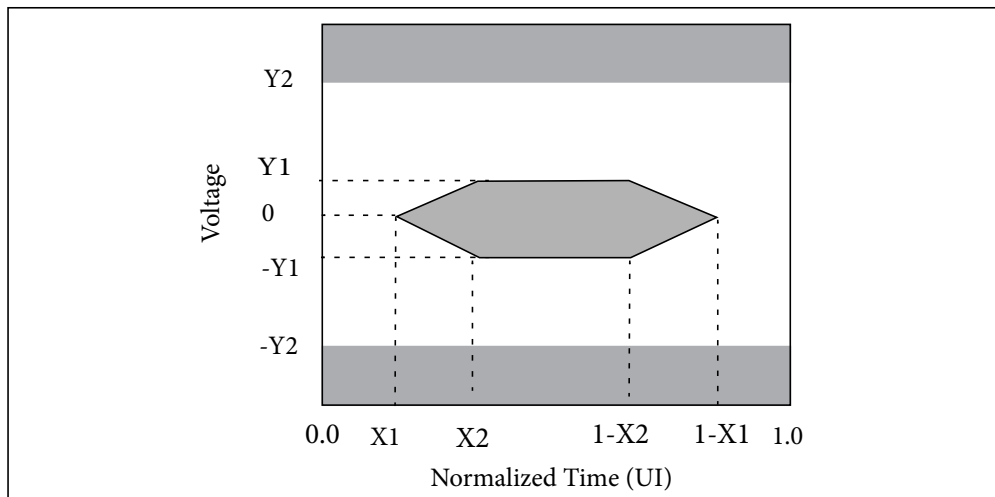


Figure 19 Transmitter Differential Output Compliance Mask at B and B''

3.5.2 HOST RECEIVER INPUT SPECIFICATIONS AT C AND C''

The SFP+ Host receiver electrical specifications at compliance point C and C'' for both linear and limiting modules are given in [Table 13](#). The host shall provide differential termination and must constrain differential to common mode conversion for quality signal termination and low EMI, as given in [Table 13](#). Common mode termination on the receiver is not required see [Figure 18](#).

Signals used as input tolerance test conditions are calibrated at C'' with the Host Compliance Board connected through a Module Compliance Board to measurement instrumentation. Specifications at C'' supporting limiting modules are given in [Table 14](#). Specifications at C'' supporting linear module are given in [Table 15](#).

SFP+ compliant hosts are allowed to support just linear modules, just limiting modules, or both linear and limiting modules.

Table 13 Host Receiver Input Electrical Specifications at C and C''

| <i>Parameters - C and C''</i> | <i>Symbol</i> | <i>Conditions</i> | <i>Min</i> | <i>Target</i> | <i>Max</i> | <i>Units</i> |
|--|---------------|----------------------------------|------------|---------------|------------|--------------|
| Single Ended Input Voltage Range | | Referenced to VeeR | -0.3 | | 4.0 | V |
| Input AC Common Mode Voltage Tolerance | | See 1 and D.15.3 | 7.5 | | | mV (RMS) |
| Damage Threshold (p-p differential) | | See 1 | 2000 | | | mV |
| Differential Input S-parameter | SDD11 | 0.01 to 2 GHz | | | -12 | dB |
| | | 2 to 11.1 GHz | | | see 2 | dB |
| Reflected Differential to Common Mode Conversion | SCD11 | 0.1 to 11.1 GHz | | | -10 | dB |
| 1. Measured at C'' with the Module Compliance Board. 2. Reflection Coefficient given by equation $SDD11(dB) < -6.68 + 12.1 \times \log_{10}(f/5.5)$, with f in GHz . | | | | | | |

Jitter specifications to support the limiting module are listed in [Table 14](#). [Figure 20](#) gives the host compliance eye mask requirements to support the limiting module. The host shall operate at and between the sensitivity and overload limits. The SFP+ limiting host shall tolerate sinusoidal jitter given by [Figure 21](#). Test procedures for the host for limiting module are given in [D.11](#).

Table 14 Host receiver supporting limiting module input compliance test signal calibrated at C''

| <i>Parameters - C''</i> | <i>Symbol</i> | <i>Conditions</i> | <i>Target Value</i> | <i>Max</i> | <i>Units</i> |
|--|---------------|---|---------------------|------------|--------------|
| Crosstalk Source Rise/Fall time (20% to 80%) | Tr, Tf | See D.6 | 34 | | ps |
| Crosstalk Source Amplitude (p-p differential) | | See 1 | 700 | | mV |
| AC Common Mode Voltage | | See 2 and D.15 | | 7.5 | mV (RMS) |
| 99% Jitter | J2 | See 3, D.5 , D.11 | 0.42 | | UI (p-p) |
| Pulse Width Shrinkage Jitter | DDPWS | See 4, D.3 | 0.3 | | UI (p-p) |
| Total Jitter | TJ | BER 1×10^{-12} see D.5 , D.11 | 0.70 | | UI (p-p) |
| Eye Mask | X1 | Mask hit ratio of 1×10^{-12} , See D.2 , D.11 | 0.35 | | UI |
| Eye Mask Amplitude Sensitivity ^{5,8} | Y1 | | 150 | | mV |
| Eye Mask Amplitude Overload ^{6,7,8} | Y2 | | 425 | | mV |
| <p>1. Measured at B'' with Host Compliance Board and Module Compliance Board pair, see Figure 16.</p> <p>2. The tester is not expected to generate this common mode voltage however its output must not exceed this value.</p> <p>3. Includes sinusoidal jitter, per Figure 21, when measured with the reference PLL specified by the given standard.</p> <p>4. In practice the test implementer may trade DDPWS with other pulse width shrinkage from the sinusoidal interferer.</p> <p>5. Eye mask amplitude sensitivity tests the host receiver with the minimum eye opening expected from a module within the constraint set by Y2.</p> <p>6. Eye mask amplitude overload tests the host receiver tolerance to the largest peak signal levels expected from the module within the constraint set by Y1.</p> <p>7. It is not expected that module Rx output will exhibit both maximum peak level and minimum eye opening.</p> <p>8. Sensitivity and overload are tested separately, see D.11.</p> | | | | | |

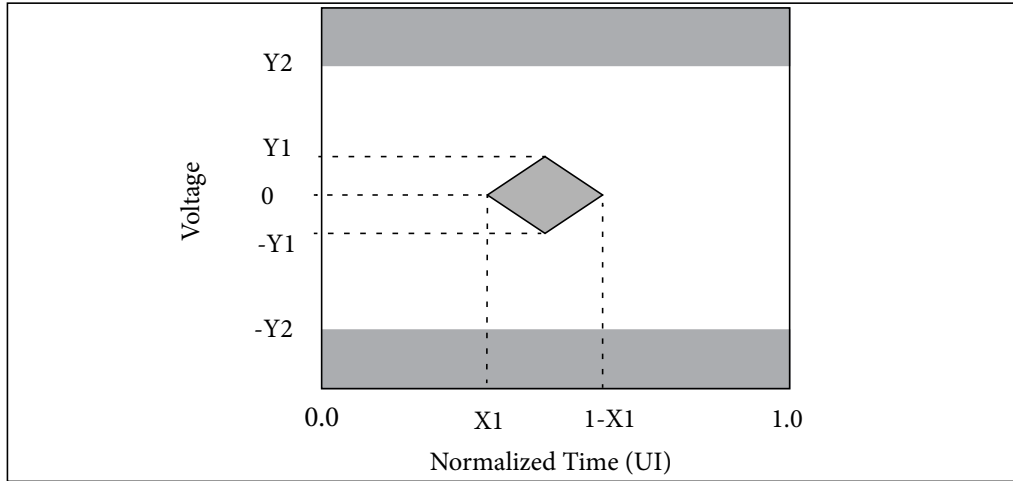


Figure 20 Host Receiver Input Compliance Mask at C'' Supporting Limiting Module

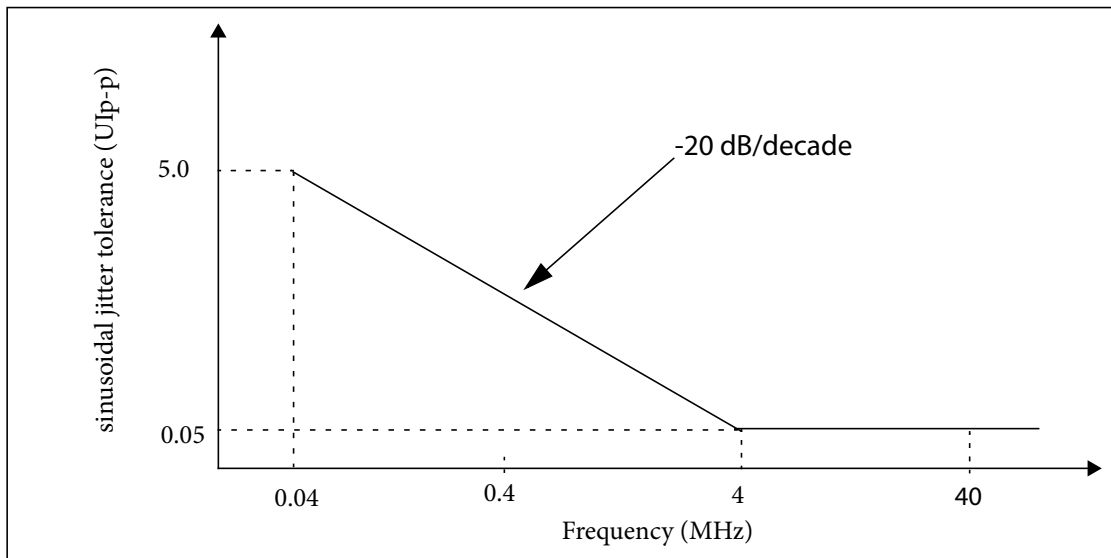


Figure 21 SR and LR Host Sinusoidal Jitter Tolerance Mask

[Table 15](#) defines the input compliance test signal as calibrated at C'' for a host that supports linear modules. The parameters in [Table 15](#) include the effects of a worst case module that operates in conjunction with optical TP3 tester(s) defined for the LRM and LR standards. SR specifications are covered by the fact that LR links have high noise, and on the other extreme, LRM links have high distortion. Test procedures for the linear host are given in [D.13](#). For illustrative purpose, [Figure 24](#) shows the host test calibration line along which specific host test points for LRM are defined.

For LR test conditions, the SFP+ linear host shall operate with sinusoidal jitter given by [Figure 21](#) while the stress conditions given in [Table 15](#) are applied. For LRM test conditions, the host shall operate with sinusoidal jitter as defined in IEEE802.3, clause 68, with the stressors and noises in [Figure 52](#) including those in the TP3 tester turned off.

Only two specific test conditions for each LRM stressor are defined in [Table 15](#). In general, however, a host must meet operational requirements with any compliant module. It is expected that lower dWDP modules will exist. However, this specification has not defined host test conditions below dWDP of 0.6 to 0.8 dB. At low dWDP values, guard bands between module specifications and host requirements are left to the host implementation.

Table 15 Host receiver supporting linear module input compliance test signal calibrated at C''

| <i>Parameters - C''</i> | <i>Symbol</i> | <i>Conditions</i> | <i>Min</i> | <i>Target</i> | <i>Max</i> | <i>Units</i> |
|---|---------------|---|--------------------------|-------------------------|------------|-------------------|
| Crosstalk Source Rise/Fall time (20% to 80%) | Tr/Tf | See 1, D.6 | | 34 | | ps |
| Crosstalk Source Amplitude (p-p differential) | | See 1 | | 700 | | mV |
| AC Common Mode Voltage | | See 2 and D.15 | | | 7.5 | mV (RMS) |
| Differential Voltage Modulation Amplitude | VMA | for LRM, See 3 | 180 | | 600 | mV |
| Differential Voltage Modulation Amplitude | VMA | for SR and LR, See 3 | 150 | | 600 | mV |
| <i>Applications</i> | <i>Symbol</i> | <i>Compliance stress test conditions</i> <i>See 4, 7, and D.13</i> | <i>Target WDP (dBo)</i> | <i>Target RN, (RMS)</i> | | <i>WDPi (dBo)</i> |
| | | | | <i>m</i> | <i>b</i> | |
| LRM | WDP | High WDP & pre-cursor stressor | Approximately 5.1, see 5 | -0.0148 | 0.0477 | 4.1 |
| | WDP | High WDP & split-symmetric stressor | 5.4 | | | 3.9 |
| | WDP | High WDP & post-cursor stressor | Approximately 5.2, see 5 | | | 4.2 |
| | WDP | Low WDP & pre-cursor stressor | Approximately 4.7, see 6 | | | 4.1 |
| | WDP | Low WDP & split-symmetric stressor | Approximately 4.7, see 6 | | | 3.9 |
| | WDP | Low WDP & post-cursor stressor | Approximately 4.8, see 6 | | | 4.2 |
| LR | WDP | Low WDP | Approximately 2.6, see 6 | -0.02 | 0.096 | 1.9 |

1. Measured at B'' with Host Compliance Board and Module Compliance Board pair, see [Figure 16](#).
2. The tester is not expected to generate this common mode voltage, however its output must not exceed this value.
3. Peak levels of received signals in service may exceed their VMA due to overshoot of the far end transmitter and/or the module receiver.
4. Target WDP is calibrated with a reference receiver with 14 T/2 spaced FFE taps and 5 T spaced DFE taps.
5. The filter bandwidth in the TP3 to electrical adapter in [Figure 52](#) is set to produce 5.4 dBo for WDP for the split-symmetrical TP3 stressor. The same filter is to be used for high WDP pre-cursor and post-cursor LRM stressors - their approximate target WDP values are given only for guidance. WDP is to be measured for each stressor, and target RN is determined by the relevant equation in note 7.
6. The filter bandwidth in the TP3 to electrical adapter in [Figure 52](#) is set to 7.5 GHz for all three LRM low WDP conditions and for the LR condition. The approximate target WDP values are given for guidance. WDP is to be measured for each stressor, and target RN is determined by the relevant equation in note 7.
7. Target RN rms values are given by the following equation: $RN = m \times (WDP - WDP_i) + b$, where WDP is the actual value of the tester, and WDP_i values are based on waveshapes expected at TP3.

3.6 SFP+ MODULE SPECIFICATIONS

SFP+ module transmitter specifications at compliance point B' are given in [3.6.1](#). SFP+ module receiver specifications at compliance point C' are given in [3.6.2](#).

3.6.1 MODULE TRANSMITTER INPUT SPECIFICATIONS AT B' AND B''

The SFP+ module transmitter electrical specifications, given in [Table 16](#), at compliance point B' are measured with the Module Compliance Board as shown in [3.3.2](#). The transmitter input impedance is 100 Ω differential. The module must provide differential termination and limit differential to common mode conversion for quality signal termination and low EMI.

Signals used as input conditions for testing the transmitter input tolerance are calibrated at B'' with the Module Compliance Board connected through a Host Compliance Board to appropriate instrumentation. This is further described in [D.10](#). The specifications used for this calibration are listed in [Table 17](#). The test signal at B'' as illustrated by [Figure 17](#) shall comply with the mask defined in [Table 17](#) and illustrated in [Figure 19](#).

Table 16 Module Transmitter Input Electrical Specifications at B'

| <i>Parameters - B'</i> | <i>Symbol</i> | <i>Conditions</i> | <i>Min</i> | <i>Target</i> | <i>Max</i> | <i>Units</i> |
|--|---------------|-------------------------------|------------|---------------|------------|--------------|
| Single Ended Input Voltage Tolerance | | Referenced to VeeT | -0.3 | | 4.0 | V |
| AC common mode voltage tolerance | | See 1, D.15.3 | 15 | | | mV |
| Differential Input S-parameter | SDD11 | 0.01 to 4.1 GHz | | | See 2 | dB |
| | | 4.1 to 11.1 GHz | | | See 3 | dB |
| Reflected Differential to Common Mode Conversion | SCD11 | 0.01 to 11.1 GHz | | | -10 | dB |
| 1. Measured at B'' with Host Compliance Board and Module Compliance Board pair, see Figure 17 . 2. Reflection Coefficient given by equation $SDD11(dB) < -12 + 2 \times \text{SQRT}(f)$, with f in GHz. 3. Reflection Coefficient given by equation $SDD11(dB) < -6.3 + 13 \times \log_{10}(f/5.5)$, with f in GHz | | | | | | |

Table 17 Module Transmitter Input Tolerance Signal Calibrated at B''

| <i>Parameters- B''</i> | <i>Symbol</i> | <i>Conditions</i> | <i>Target Value</i> | <i>Max</i> | <i>Units</i> |
|---|---------------|---|---------------------|--------------|--------------|
| Crosstalk Source Rise/Fall time (20% to 80%) | Tr, Tf | See 1, 2 and D.6 | 34 | | ps |
| Crosstalk Source Amplitude (p-p differential) | | See 1, 2 | 1000 | | mV |
| AC Common Mode Voltage | | See 3 and D.15.2 | | 15 | mV (RMS) |
| Total Jitter | TJ | See D.5 | | 0.28 | UI (p-p) |
| Data Dependent Jitter | DDJ | See D.3 | 0.10 | | UI (p-p) |
| Pulse Width Shrinkage Jitter | DDPWS | | 0.055 | | UI (p-p) |
| Uncorrelated Jitter | UJ | See 4 and D.4 | 0.023 | | UI (RMS) |
| <i>Parameters- B''</i> | <i>Symbol</i> | <i>Conditions</i> | <i>Value</i> | <i>Units</i> | |
| Eye Mask | X1 | Mask hit ratio of 5×10^{-5} , See D.2 | 0.12 | UI | |
| Eye Mask | X2 | | 0.33 | UI | |
| Eye Mask | Y1 | | 95 | mV | |
| Eye Mask | Y2 | | 350 | mV | |

1. Measured at C'' with Host Compliance Board and Module Compliance Board pair, see [Figure 17](#).
2. Since the minimum module output transition time is faster than the crosstalk transition time the amplitude of crosstalk source is increased to achieve the same slew rate.
3. The tester is not expected to generate this common mode voltage however its output must not exceed this value
4. It is not possible to have the maximum UJ and meet the TJ specifications if the UJ is all Gaussian.

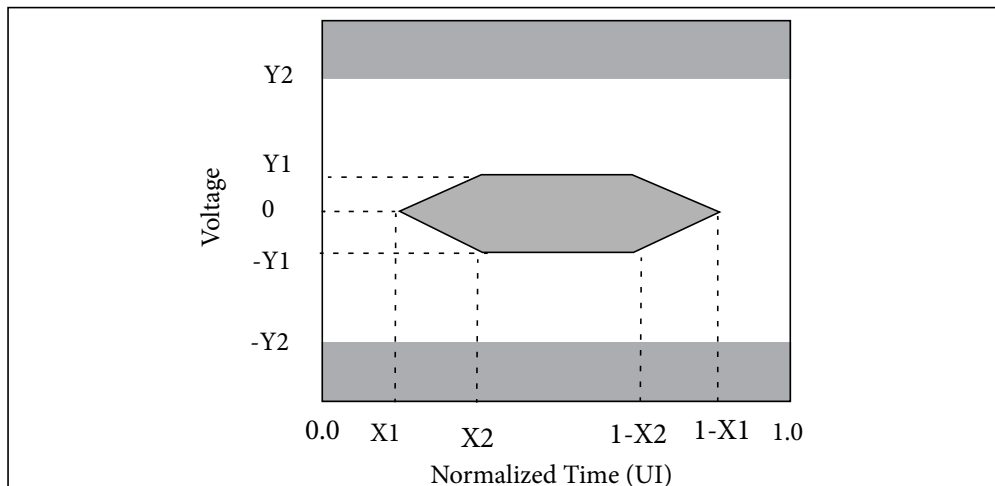


Figure 22 Module Transmitter Differential Input Compliance Mask at B''

3.6.2 MODULE RECEIVER OUTPUT SPECIFICATIONS AT C'

The SFP+ receiver electrical output specifications at compliance point C' are given in [Table 18](#). The module must provide differential termination and common mode termination for quality signal termination and low EMI, as given in [Table 18](#).

Table 18 Module Receiver Output Electrical Specifications at C'

| <i>Parameters - C'</i> | <i>Symbol</i> | <i>Conditions</i> | <i>Min</i> | <i>Target</i> | <i>Max</i> | <i>Units</i> |
|---|---------------|--|------------|---------------|------------|--------------|
| Crosstalk source rise/fall time (20% to 80%) | Tr, Tf | See 1, D.6 , | | 34 | | ps |
| Crosstalk Source Amplitude (p-p differential) | | See 1 | | 700 | | mV |
| Termination Mismatch at 1 MHz | ΔZ_M | See D.16 , Figure 55 | | | 5 | % |
| Single Ended Output Voltage Tolerance | | | -0.3 | | 4.0 | V |
| Output AC Common Mode Voltage | | See D.15 | | | 7.5 | mV (RMS) |
| Differential Output S-parameter | SDD22 | 0.01 to 4.1 GHz | | | See 2 | dB |
| | | 4.1 to 11.1 GHz | | | See 3 | dB |
| Common Mode Output Reflection Coefficient | SCC22 | 0.01 to 2.5 GHz | | | See 4 | dB |
| | | 2.5 to 11.1 GHz | | | -3 | dB |

1. Measured at B'' with the Host Compliance Board and Module Compliance Board pair, see [Figure 16](#).
2. Reflection Coefficient given by equation $SDD22(dB) < -12 + 2 \times \text{SQRT}(f)$, with f in GHz.
3. Reflection Coefficient given by equation $SDD22(dB) < -6.3 + 13 \times \log_{10}(f/5.5)$, with f in GHz
4. Reflection coefficient given by equation $SCC22(dB) < -7 + 1.6 \times f$, with f in GHz.

Common Mode Output Reflection Coefficient helps absorb reflection and noise improving EMI.

Jitter specifications for limiting modules are listed in [Table 19](#). [Figure 23](#) gives the compliance eye mask for limiting modules output. Requirements for linear modules are given in [Table 20](#).

Both limiting and linear modules must provide adequate low frequency signal response for the applications supported, to control the effects of baseline wander.

Table 19 Limiting Module Receiver Output Jitter and Eye Mask Specifications at C'

| <i>Parameters - C'</i> | <i>Symbol</i> | <i>Conditions</i> | <i>Min</i> | <i>Target</i> | <i>Max</i> | <i>Units</i> |
|--|---------------|---|--------------|---------------|--------------|--------------|
| Output Rise and Fall time (20% to 80%) | Tr, Tf | See D.6 | 28 | | | ps |
| Total Jitter | TJ | See D.5 , D.12 | | | 0.70 | UI (p-p) |
| 99% Jitter | J2 | See D.5 , D.12 | | | 0.42 | UI (p-p) |
| <i>Parameters - C'</i> | <i>Symbol</i> | <i>Conditions</i> | <i>Value</i> | | <i>Units</i> | |
| Eye Mask | X1 | Mask hit ratio of 1×10^{-12} See D.2 , D.12 | 0.35 | | UI | |
| Eye Mask | Y1 | | 150 | | mV | |
| Eye Mask | Y2 | | 425 | | mV | |

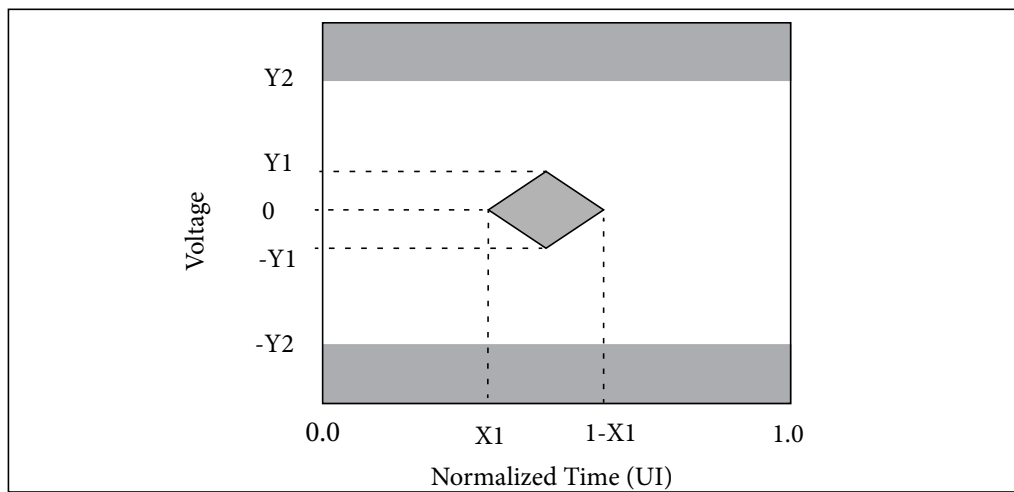


Figure 23 Limiting Module Receiver Differential Output Compliance Mask at C'

Linear module test parameters are given by [Table 20](#). Compliance methods for a linear module are given in Appendix [D.14](#).

Table 20 Linear Module Receiver Specifications at C'

| <i>Parameters - C'</i> | <i>Symbol</i> | <i>Conditions</i> | <i>RN</i> | | | | |
|---|---------------|----------------------------------|-----------|------------|-----------|------------|--------------|
| | | | <i>m1</i> | <i>b1</i> | <i>m2</i> | <i>b2</i> | <i>RNmax</i> |
| Relative Noise SR | RN | See D.14.1 | -0.02 | 0.078 | -0.02 | 0.078 | 0.078 |
| Relative Noise LR | | | -0.02 | 0.083 | -0.02 | 0.083 | 0.083 |
| Relative Noise LRM with pre-cursor stressor | | | -0.0153 | 0.0475 | -0.0092 | 0.0457 | 0.0475 |
| Relative Noise LRM with split-symmetrical stressor | | | -0.017 | 0.0475 | -0.01 | 0.0455 | 0.0475 |
| Relative Noise LRM with post-cursor stressor | | | -0.0153 | 0.0475 | -0.0092 | 0.0457 | 0.0475 |
| <i>Parameters - C'</i> | <i>Symbol</i> | <i>Conditions</i> | | <i>Min</i> | | <i>Max</i> | <i>Unit</i> |
| Difference Waveform Distortion Penalty for SR and LR | dWDP | See 1 and D.14.2 | | | | 2.7 | dBo |
| Difference Waveform Distortion Penalty for LRM | dWDP | | | | | 1.5 | dBo |
| Differential Voltage Modulation Amplitude For SR and LR | VMA | See D.7 | | 150 | | 600 | mV |
| Differential Voltage Modulation Amplitude For LRM | VMA | | | 180 | | 600 | mV |
| Differential peak to peak voltage | Vpk-pk | See D.14.3 | | | | 600 | mV |
| 1. Defined with reference receiver with 14 T/2 spaced FFE taps and 5 T spaced DFE taps. | | | | | | | |

Appendix [D.14.2](#) defines RN for a linear module receiver. The limits for RN are functions of measured dWDP for the module, expressed in optical decibels. As an example, the trade-off between the parameters for LRM are shown in [Figure 24](#). To pass, RN must be below the respective limit line.

dWDP and RN shall meet the specifications in [Table 20](#) and can be calculated by

$$RN \leq \min[(m1 \times dWDP + b1), (m2 \times dWDP + b2), RNmax]$$

for each TP3 test condition for which compliance is required. For example, if compliance is required for LRM, the module must meet specifications with all three stressors and under the sensitivity and overload test conditions specified in IEEE Std 802.3 68.6.9.

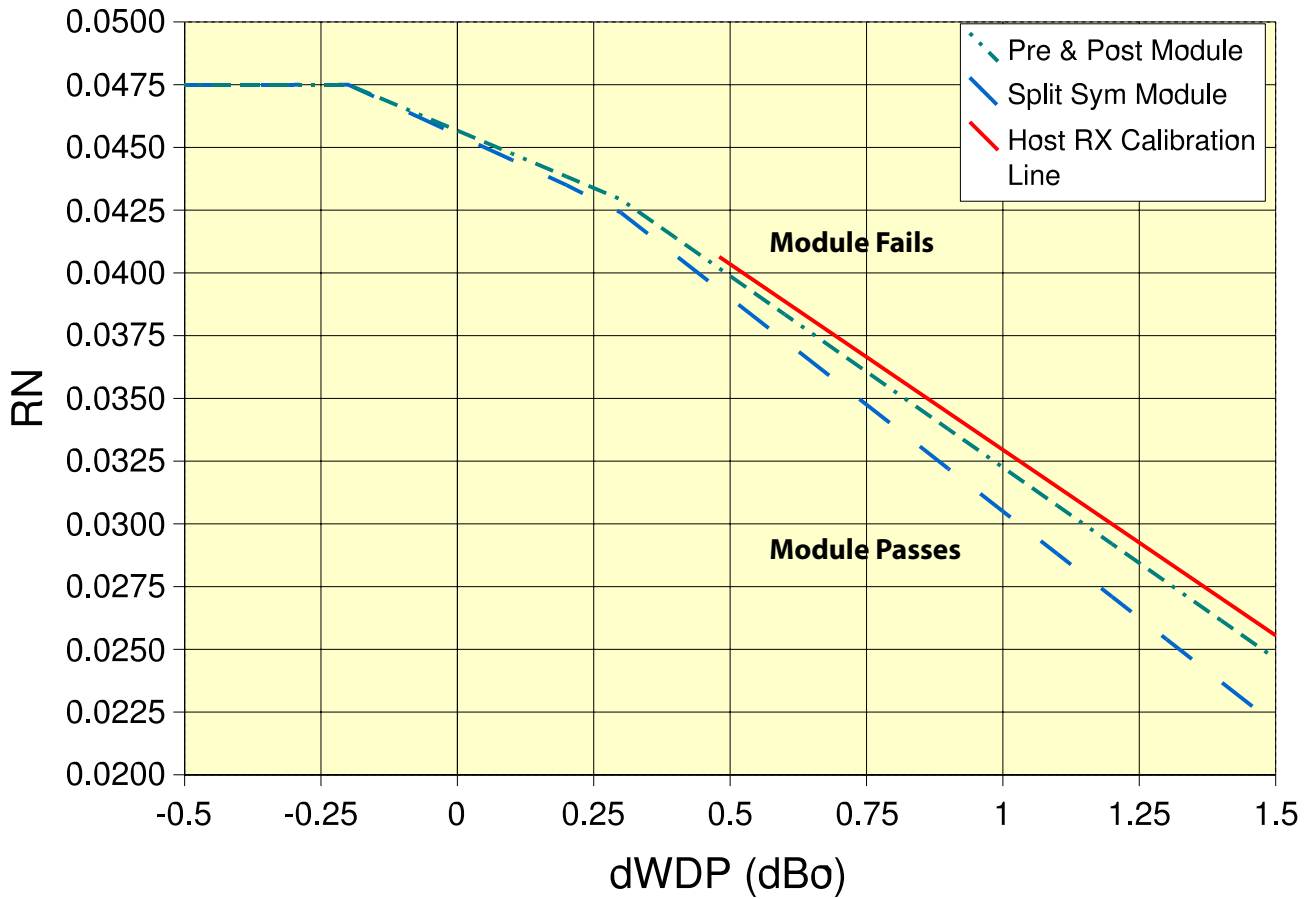


Figure 24 LRM module receiver RN and dWDP compliance and host receiver test calibration

For illustrative purpose, [Figure 24](#) shows the host test calibration line along which specific host test points for LRM are defined. The gap between the host and module lines is because the host is tested with linear impairments, which given the same dWDP, are more benign to a host than non-linear impairments which are possible from a module.

CHAPTER 4 SFP+ 2-WIRE INTERFACE

4.1 INTRODUCTION

The SFP+ management interface is a two-wire interface, similar to I²C. SFP+ management memory map is specified by SFF-8472. Nomenclature for all registers more than 1 bit long are MSB...LSB (MSB transmitted first).

4.2 2-WIRE ELECTRICAL SPECIFICATIONS

The SFP+ 2-wire interface specifications are given in [Table 21](#). This specification ensures compatibility between host masters and SFP+ SCL/SDA lines and compatibility with I²C. All voltages are referenced to V_{eeT}.

Table 21 2-Wire Interface Electrical Specifications

| <i>Parameter</i> | <i>Symbol</i> | <i>Min.</i> | <i>Max.</i> | <i>Unit</i> | <i>Conditions</i> |
|---|-----------------------------|-------------------------------|-------------------------------|-------------|---|
| Host 2-wire V _{cc} | V _{cc_Host_2w} | 3.14 | 3.46 | V | see 1 |
| SCL and SDA | V _{OL} | 0.0 | 0.40 | V | R _{p2w} ² pulled to V _{cc_Host_2w} , see 3 |
| | V _{OH} | V _{cc_Host_2w} - 0.5 | V _{cc_Host_2w} + 0.3 | V | R _{p2w} ² pulled to V _{cc_Host_2w} , see 3 |
| SCL and SDA | V _{IL} | -0.3 | V _{ccT} *0.3 | V | see 3 |
| | V _{IH} | V _{ccT} *0.7 | V _{ccT} + 0.5 | V | see 3 |
| Input current on the SCL and SDA contacts | I _I | -10 | 10 | μA | |
| Capacitance on SCL and SDA I/O contact | C _i ⁴ | | 14 | pF | |
| Total bus capacitance for SCL and for SDA | C _b ⁵ | | 100 | pF | At 400 kHz, 3.0 kΩ R _{p2w} , max At 100 kHz, 8.0 kΩ R _{p2w} , max |
| | | | 290 | pF | At 400 kHz, 1.1 kΩ R _{p2w} , max At 100 kHz, 2.75 kΩ R _{p2w} , max |

1. The Host 2-wire V_{cc} is the voltage used for resistive pull ups for the 2 wire interface
2. R_{p2w} is the pull up resistor. Active bus termination may be used by the host in place of a pullup resistor. Pull ups can be connected to any one of several power supplies, however the host board design shall ensure that no module contact has voltage exceeding module V_{ccT}/R + 0.5 V nor requires the module to sink more than 3.0 mA current.
3. These voltages are measured on the other side of the connector to the device under test.
4. C_i is the capacitance looking into the module SCL and SDA contacts
5. C_b is the total bus capacitance on the SCL or SDA bus.

4.3 SFP+ 2-WIRE TIMING DIAGRAM

SFP+ 2-wire bus timing is shown in [Figure 25](#) and the detail of clock stretching is shown in [Figure 26](#). SFP+ 2-wire timing specifications are given in [Table 22](#).

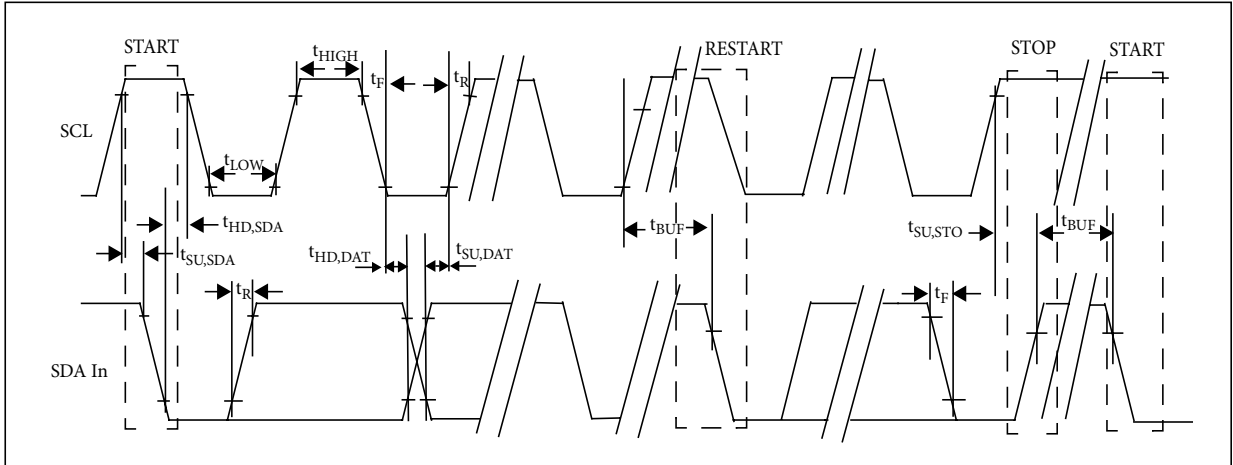


Figure 25 2-wire Timing Diagram

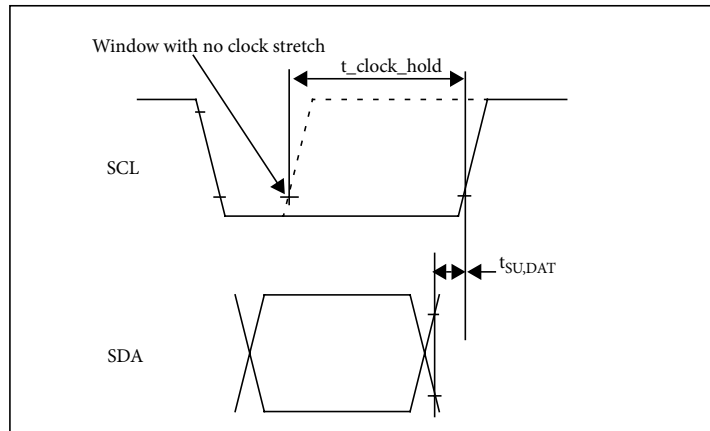


Figure 26 Detail of Clock Stretching

The 2-wire serial interface addresses of the SFP+ module are 1010000x (A0h) and 1010001x (A2h).

Table 22 SFP+ 2-wire Timing Specifications

| <i>Parameter</i> | <i>Symbol</i> | <i>Min.</i> | <i>Max.</i> | <i>Unit</i> | <i>Conditions</i> |
|---|---------------|-------------|-------------|-------------|---|
| Clock Frequency | f_{SCL} | 0 | 400 | kHz | Module shall operate with f_{SCL} up to 100 kHz without requiring clock stretching. The module may clock stretch with f_{SCL} greater than 100 kHz and up to 400 kHz. |
| Clock Pulse Width Low | t_{LOW} | 1.3 | | μs | |
| Clock Pulse Width High | t_{HIGH} | 0.6 | | μs | |
| Time bus free before new transmission can start | t_{BUF} | 20 | | μs | Between STOP and START and between ACK and ReSTART |
| START Hold Time | $t_{HD,STA}$ | 0.6 | | μs | |
| START Set-up Time | $t_{SU,STA}$ | 0.6 | | μs | |
| Data In Hold Time | $t_{HD,DAT}$ | 0 | | μs | |
| Data In Set-up Time | $t_{SU,DAT}$ | 0.1 | | μs | |
| Input Rise Time (100 kHz) | $t_{R,100}$ | | 1000 | ns | From ($V_{IL,MAX} - 0.15$) to ($V_{IH,MIN} + 0.15$) |
| Input Rise Time (400 kHz) | $t_{R,400}$ | | 300 | ns | From ($V_{IL,MAX} - 0.15$) to ($V_{IH,MIN} + 0.15$) |
| Input Fall Time (100 kHz) | $t_{F,100}$ | | 300 | ns | From ($V_{IH,MIN} + 0.15$) to ($V_{IL,MAX} - 0.15$) |
| Input Fall Time (400 kHz) | $t_{F,400}$ | | 300 | ns | From ($V_{IH,MIN} + 0.15$) to ($V_{IL,MAX} - 0.15$) |
| STOP Set-up Time | $t_{SU,STO}$ | 0.6 | | μs | |

4.4 MEMORY TRANSACTION TIMING

SFP+ memory transaction timings are given in [Table 23](#).

Table 23 SFP+ Memory Specifications

| <i>Parameter</i> | <i>Symbol</i> | <i>Min.</i> | <i>Max.</i> | <i>Unit</i> | <i>Conditions</i> |
|---|---------------|-------------|-------------|-------------|---|
| Serial Interface Clock Holdoff "Clock Stretching" | T_clock_hold | | 500 | μs | Maximum time the SFP+ module may hold the SCL line low before continuing with a read or write operation |
| Complete Single or Sequential Write up to 4 Byte | t_{WR} | | 40 | ms | |
| Complete Sequential Write of 5-8 Byte | t_{WR} | | 80 | ms | |
| Endurance (Write Cycles) | | 10 k | | cycles | |

4.5 DEVICE ADDRESSING AND OPERATION

Serial Clock (SCL): The host supplied SCL input to SFP+ transceivers is used to positively edge clock data into each SFP+ device and negative edge clock data out of each device. The SCL line may be pulled low by an SFP+ module during clock stretching.

Serial Data (SDA): The SDA contact is bi-directional for serial data transfer. This contact is open-drain or open-collector driven and may be wire-ORed with other open-drain or open collector devices with different device addresses, provided the total bus capacitance meets the requirement of [Table 21](#) and the Serial Clock (SCL) is also wire-ORed.

Master/Slave: SFP+ transceivers operate only as slave devices. The host must provide a bus master for SCL and initiate all read/write communication.

Device Address: Each SFP+ is hard wired at the device addresses A0h and A2h. See SFF-8472 for memory structure within each transceiver.

Clock and Data Transitions: The SDA contact is normally pulled high with an external device. Data on the SDA contact may change only during SCL low time periods. Data changes during SCL high periods indicate a START or STOP condition. All addresses and data words are serially transmitted to and from the SFP+ in 8-bit words. Every byte on the SDA line must be 8-bits long. Data is transferred with the most significant bit (MSB) first.

START Condition: A high-to-low transition of SDA with SCL high is a START condition, which must precede any other command.

STOP Condition: A low-to-high transition of SDA with SCL high is a STOP condition.

Acknowledge: After sending each 8-bit word, the transmitter releases the SDA line for one bit time, during which the receiver is allowed to pull SDA low (zero) to acknowledge (ACK) that it has received each word. Device address bytes and write data bytes initiated by the host shall be acknowledged by SFP+ transceivers. Read data bytes transmitted by SFP+ transceivers shall be acknowledged by the host for all but the final byte read, for which the host shall respond with a STOP instead of an ACK.

Non-acknowledge (NACK): When a slave is unable to receive or transmit, because, e.g., it is performing a higher priority function, the data line shall be left high by the slave. A NACK is generated when the slave leaves the data line high during the ACK clock pulse. The master can then generate either a STOP condition to abort the transfer or a repeated START condition to start a new transfer.

When in a transfer, a master-receiver must signal the end of data to the slave-transmitter by not generating an acknowledge on the last byte clocked out of the slave. A NACK is generated when the master leaves the data line High during the ACK clock pulse. The slave-transmitter must release the data line to permit the master to generate a STOP or repeated START condition.

Memory (Management Interface) Reset: After an interruption in protocol, power loss or system reset the SFP+ management interface can be reset. Memory reset is intended only to reset the SFP+ transceiver management interface (to correct a hung bus). No other transceiver functionality is implied.

- 1) Clock up to 9 cycles.
- 2) Look for SDA high in each cycle while SCL is high.
- 3) Create a START condition as SDA is high.

Device Addressing: SFP+ devices require an 8 bit device address word following a start condition to enable a read or write operation. The device addresses to select A0h or A2h are shown in [Table 24](#). This is common to all SFP+ devices.

Table 24 SFP+ Device Address Word

| Address | (MSB) | | | | | | Address Select | R/W select (LSB) |
|---------|-------|---|---|---|---|---|----------------|------------------|
| A0h | 1 | 0 | 1 | 0 | 0 | 0 | 0 | x |
| A2h | 1 | 0 | 1 | 0 | 0 | 0 | 1 | x |

The LSB of the device address word is the read/write operating select bit. A read operation is initiated if this bit is set high and a write operation is initiated if this bit is set low.

4.6 READ/WRITE FUNCTIONALITY

The methods for reading from and writing to the two different SFP+ addresses A0h and A2h are described in this section. They are identical for the two different addresses except that the appropriate address is used for each read and write. For simplicity in the figures the address is labelled 101000x where the x is 0 for the A0h address and 1 for the A2h address. Note that the address here is only seven bits. In order to complete the full 8 bit byte a one or zero is added to the end of the address depending on whether a read or a write operation is taking place.

4.6.1 SFP+ MEMORY ADDRESS COUNTER (READ AND WRITE OPERATIONS)

SFP+ devices maintain two internal data word address counters one for each address. These counters contain the last address accessed during the latest

read or write operation, incremented by one. The address counter is incremented whenever a data word is received or sent by the transceiver. This address stays valid between operations as long as SFP+ power is maintained. The address “roll over” during read and write operations is from the last byte of the 256 byte memory page to the first byte of the same page.

4.6.2 READ OPERATIONS (CURRENT ADDRESS READ)

A current address read operation requires only the device address read word (10100001 or 10100011) be sent, [Figure 27](#). Once acknowledged by the SFP+, the current address data word is serially clocked out. The host does not respond with an acknowledge, but does generate a STOP condition once the data word is read.

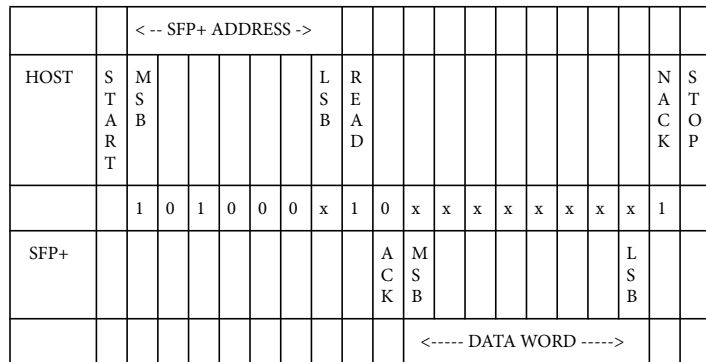


Figure 27 Current Address Read Operation

4.6.3 READ OPERATIONS (RANDOM READ)

A random read operation requires a “dummy” write operation to load in the target byte address [Figure 28](#). This is accomplished by the following sequence: The target 8-bit data word address is sent following the device address write word (10100000 or 10100010) and acknowledged by the SFP+. The host then generates another START condition (aborting the dummy write without incrementing the counter) and a current address read by sending a device read address (10100001 or 10100011). The SFP+ acknowledges the device address and serially clocks out the requested data word. The host does not respond with an acknowledge, but does generate a STOP condition once the data word is read.

| | | < - SFP+ ADDRESS --> | | | | | | | | <--- MEMORY ADDRESS --> | | | | | | | | < - SFP+ ADDRESS ---> | | | | | | | | | | | | | | | | | | | | | | | | | | | | | | | | | | | | | | | | | | | | | | | |
|---------|-----------|----------------------|---|---|---|---|---|---|---|-------------------------|---|---|---|---|---|---|---|-----------------------|---|---|---|---|---|---|---|-------------------|---|---|---|---|---|---|---|-------------------|---|---|---|---|---|---|---|---|---|---|---|---|---|---|---|---|---|---|---|---|---|--|--|--|--|--|--|--|--|--|--|
| H O S T | S T A R T | M | S | | | | | L | W | M | | | | | | L | S | M | | | | | | L | R | | | | | | | | | A | | | | | | | | | | A | | | | | | | | | | N | S | | | | | | | | | | |
| | | S | B | | | | | S | R | S | | | | | | S | T | S | | | | | | S | E | | | | | | | | | C | | | | | | | | | | C | | | | | | | | | | A | T | | | | | | | | | | |
| | | 1 | 0 | 1 | 0 | 0 | 0 | x | 0 | 0 | x | x | x | x | x | x | 0 | 1 | 0 | 1 | 0 | 0 | 0 | x | 1 | 0 | x | x | x | x | x | x | x | 0 | x | x | x | x | x | x | x | x | x | 0 | x | x | x | x | x | x | x | x | x | x | x | | | | | | | | | | |
| S F P + | | | | | | | | | | A | | | | | | | A | | | | | | | | | A | M | | | | | | | L | M | | | | | | | | | L | M | | | | | | | | | L | S | | | | | | | | | | |
| | | | | | | | | | | | | | | | | | | <-- DATA WORD n --> | | | | | | | | < DATA WORD n+1 > | | | | | | | | < DATA WORD n+x > | | | | | | | | | | | | | | | | | | | | | | | | | | | | | | | |

Figure 30 Sequential Address Read Starting with Random Read

4.6.5 WRITE OPERATIONS (BYTE WRITE)

A write operation requires an 8-bit data word address following the device address write word (10100000 or 10100010) and acknowledgement [Figure 31](#). Upon receipt of this address, the SFP+ shall again respond with a zero (ACK) to acknowledge and then clock in the first 8 bit data word. Following the receipt of the 8 bit data word, the SFP+ shall output a zero (ACK) and the host master must terminate the write sequence with a STOP condition for the write cycle to begin. If a START condition is sent in place of a STOP condition (i.e. a repeated START per the I²C specification) the write is aborted and the data received during that operation is discarded. Upon receipt of the proper STOP condition, the SFP+ enters an internally timed write cycle, t_{WR} , to internal memory. The SFP+ disables its management interface input during this write cycle and shall not respond or acknowledge subsequent commands until the write is complete. Note that I²C "Combined Format" using repeated START conditions is not supported on SFP+ write commands.

| | | < -- SFP+ ADDRESS --> | | | | | | | | <--- MEMORY ADDRESS --> | | | | | | | | <----- DATA WORD -----> | | | | | | | | | | | | | | | | | |
|---------|-----------|-----------------------|---|---|---|---|---|---|---|-------------------------|---|---|---|---|---|---|---|-------------------------|---|---|---|---|---|---|---|---|---|---|---|---|---|---|---|---|---|
| H O S T | S T A R T | M | S | | | | | L | W | M | | | | | | L | S | M | | | | | | L | S | | | | | | | | | S | T |
| | | S | B | | | | | S | R | S | | | | | | S | T | S | | | | | | S | E | | | | | | | | | A | T |
| | | 1 | 0 | 1 | 0 | 0 | 0 | x | 0 | 0 | x | x | x | x | x | x | 0 | x | x | x | x | x | x | x | 0 | x | x | x | x | x | x | x | x | | |
| S F P + | | | | | | | | | | A | | | | | | | A | | | | | | | | | A | | | | | | | | A | |

Figure 31 SFP+ Write Byte Operation

APPENDIX A SFI CHANNEL RECOMMENDATION (INFORMATIVE)

A.1 SFI HOST CHANNEL GENERAL RECOMMENDATIONS

The purpose of the recommended SFI channel is to provide guidelines for host designers. The recommended SFI host channel consists of PCB traces, vias, and the 20 position enhanced connector defined by SFF-8083. The PCB traces are recommended to meet $100 \pm 10 \Omega$ differential impedance with nominal 7% differential coupling.

SFI channel S-parameters are defined from ASIC transmitter pads to Host Compliance Board output at B and from Host Compliance Board input at C to ASIC input pads.

Please see SFF INF-8077i for differential S-parameters measurements and conversions.

A.2 SFI CHANNEL TRANSFER RECOMMENDATIONS

The SFI maximum channel transfer budget is 9.0 dB allocated as shown in [Table 25](#).

Table 25 SFI Host Interconnect Budget

| <i>Parameter</i> | <i>Symbol</i> | <i>Conditions</i> | <i>Min</i> | <i>Max</i> | <i>Units</i> |
|--|---------------|-------------------|------------|------------|--------------|
| Channel Transfer Including Connector measured with Host Compliance Board (see Appendix C) | SDD21 | at 5.5 GHz, see 1 | -6.5 | -2.25 | dB |
| Penalty for reflections and other impairments | | | -2.5 | | dB |
| Total Channel Link Budget When Measured with HCB | | | -9.0 | -2.25 | dB |
| 1.SFI channel response (SDD21) is defined from chip pads to compliance point B or C. | | | | | |

To mitigate multiple reflections, SFI also recommends a minimum channel attenuation. This requirement for both a minimum and maximum channel attenuation results in a mask that is shown approximately by [Figure 33](#). The response including ripple should be within the channel response mask.

The SFI recommended channel is measured with the ASIC removed and measured with the Host Compliance Board of section [C.2](#). The S-parameters are measured by connecting a 4-port network analyzer to the ASIC pads and the SMA connectors on the Host Compliance Board.

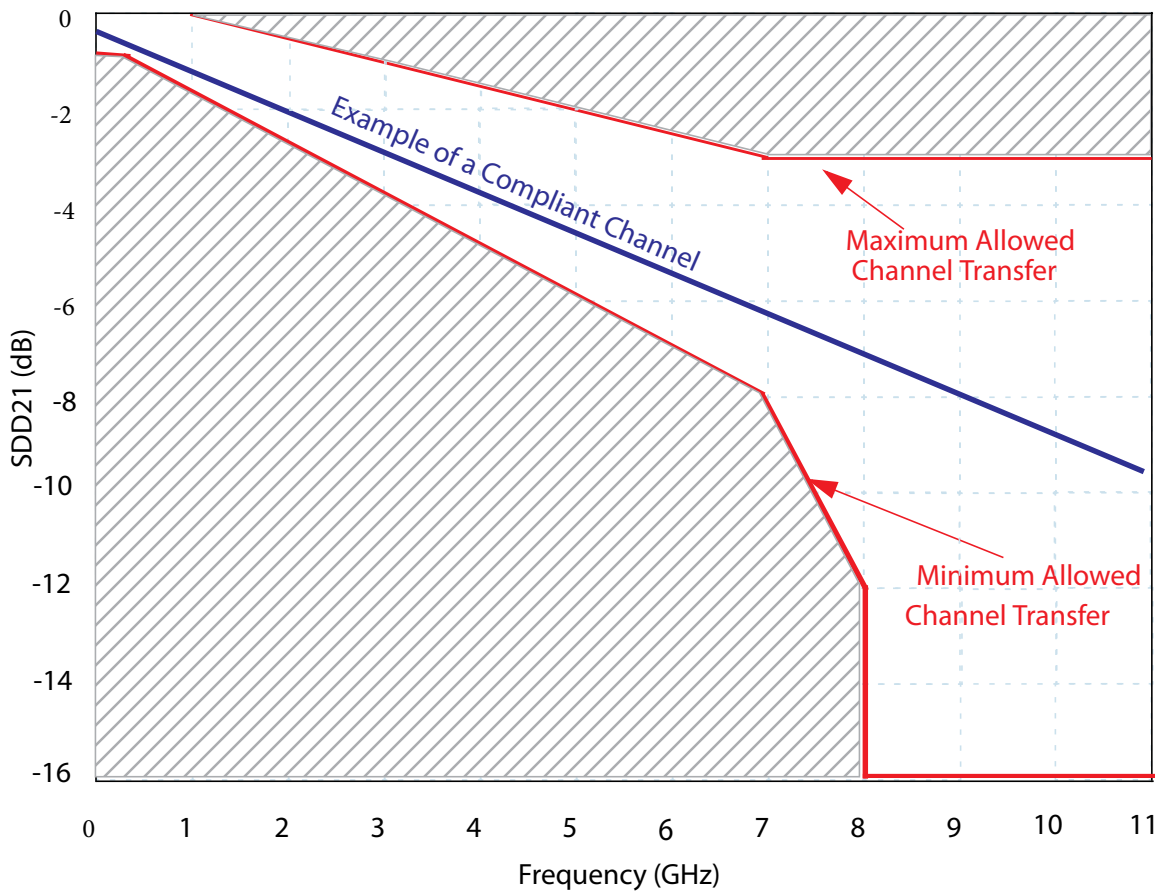


Figure 33 Example of SFI Host Recommended Channel

The minimum channel transfer SDD21 (maximum loss) mask contour is given by:

$$SDD21(dB) = -0.73 \quad f \text{ from } 0.01 \text{ GHz to } 0.25 \text{ GHz}$$

$$SDD21(dB) = (-0.108 - 0.845 \times \sqrt{f} - 0.802 \times f) \quad f \text{ from } 0.25 \text{ GHz to } 7 \text{ GHz}$$

$$SDD21(dB) = 20 - 4 \times f \quad f \text{ from } 7 \text{ GHz to } 8 \text{ GHz}$$

$$SDD21(dB) \geq -16 \quad f \text{ from } 8 \text{ GHz to } 11.1 \text{ GHz}$$

where f is the frequency in GHz.

The SFI channel maximum transfer is given by:

$$SDD21(dB) = 0 \quad f \text{ from 0.25 GHz to 1.0 GHz}$$

$$SDD21(dB) = 0.5 \times (1 - f) \quad f \text{ from 1 GHz to 7 GHz}$$

$$SDD21(dB) = -3 \quad f \text{ from 7 GHz to 11.1 GHz}$$

where f is the frequency in GHz.

A.3 SFI CHANNEL RETURN LOSS RECOMMENDATIONS

The reflection coefficients, SDD11 and SDD22, of the SFI channel are recommended to meet the following equations:

$$SDDxx(dB) \leq -14.5 \quad f \text{ from 0.01 to 5 GHz}$$

$$SDDxx(dB) \leq -23.25 + 8.75 \times \left(\frac{f}{5}\right) \quad f \text{ from 5 to 11.1 GHz}$$

where f is the frequency in GHz and SDDxx is either SDD11 or SDD22.

A.4 SFI CHANNEL RIPPLE RECOMMENDATIONS

SFI channel ripple is defined as the difference between the measured insertion response ($SDD21_m$) and the fitted transfer response ($SDD21_f$), all in dB magnitude:

$$Ripple(dB) = SDD21_m - SDD21_f$$

The channel ripple magnitude should conform to the equation:

$$|Ripple(dB)| \leq 0.15 + 0.1 \times f$$

where the variable f (frequency) is in GHz. The above equation must be satisfied over the frequency range of 0.25 GHz to 5.5 GHz.

$SDD21_m$ is the measured channel differential transfer response. $SDD21_f$ is the fitted channel differential transfer response and is given by

$$SDD21_f = [-a - b \times \sqrt{f} - c \times f]$$

Where a , b , and c are determined by the least squares fit over the frequency range of 250 MHz to 5.5 GHz as defined below. Frequency steps should be of equal size and not greater than 50 MHz.

Measured data will provide a frequency vector, f , and gain vector, G defined by

$$G = 20 \times \log_{10}[|SDD21|]$$

Create an input vector array called X from frequency variable f

$$X = \begin{bmatrix} 1 & \sqrt{f_0} & f_0 \\ 1 & \sqrt{f_1} & f_1 \\ \cdot & \cdot & \cdot \\ 1 & \sqrt{f_n} & f_n \end{bmatrix}$$

Next calculate the coefficient vector using matrix math

$$C = [X^T \times X]^{-1} X^T \times G$$

Where the calculated coefficient values are given by

- $a = -C(1)$
- $b = -C(2)$
- $c = -C(3)$.

APPENDIX B SFI ASIC/SERDES SPECIFICATION (INFORMATIVE)

B.1 INTRODUCTION

SFI ASIC/SerDes specifications are informative. SFI ASIC/SerDes Transmitter specifications at reference point A are given in [B.2](#). SFI ASIC/SerDes Receiver specifications at reference point D are given in [B.3](#). ASIC/SerDes meeting the specifications in this appendix when used with the recommended channel of [Appendix A](#) are expected to meet the host specifications at [B 3.5.1](#) and [C 3.5.2](#), however any implementation that meets those host specifications is a compliant SFP+ implementation, independent of whether the ASIC/SerDes and/or channel meet the specifications in [Appendix A](#) and this appendix. This allows flexibility between channel and SerDes performances and costs.

B.2 SFI ASIC/SERDES TRANSMITTER OUTPUT SPECIFICATIONS AT A (INFORMATIVE)

The driver is based on low voltage high speed driver logic with a nominal differential impedance of 100 Ω . The SFI transmitter electrical specifications at reference point A are given in [Table 26](#). The source must provide both differential and common mode termination for quality signal termination and low EMI.

Pre-compensation such as de-emphasis may be required to mitigate data dependent jitter at compliance point B.

All parameters at A are measured with the ASIC/SerDes Test Board as shown in [C.1.3](#).

Jitter specifications at A are not provided, the host transmitter in conjunction with the host SFP+ channel must deliver jitter specifications as given by reference point B, [Table 12](#).

B.3 SFI ASIC/SERDES RECEIVER INPUT SPECIFICATIONS AT D (INFORMATIVE)

SFI ASIC/SerDes receiver electrical specifications are given in [Table 27](#) and measured at reference point D. All specifications at D are measured with the SerDes on a ASIC/SerDes Test Board [C.1.3](#). The nominal receiver input impedance is 100 Ω differential. The load must provide differential termination and avoid significant differential to common mode conversion for high quality signal termination and low EMI.

The necessary jitter performance at D is to be determined by the implementer based on the specifications at C.

Table 26 ASIC/SerDes Transmitter Output Electrical Specifications at A

| <i>Parameter - A</i> | <i>Symbol</i> | <i>Conditions</i> | <i>Min</i> | <i>Typ</i> | <i>Max</i> | <i>Units</i> |
|--|---------------|--------------------------|------------|------------|------------|--------------|
| Differential Output Voltage | V_{diff} | | | | see 1 | mV (p-p) |
| Termination Mismatch at 1 MHz | ΔZ_M | See D.16 | | | 5 | % |
| Single Ended Output Voltage Range | | | -0.3 | | 4.0 | V |
| Output Rise and Fall time (20% to 80%) | T_r, T_f | See D.6 | 24 | | | ps |
| Output AC Common Mode Voltage | | See D.15 | | | 12 | mV (RMS) |
| Differential Output S-parameter ² | SDD22 | 0.01 to 2.8 GHz | | | -12 | dB |
| | | 2.8 to 11.1 GHz | | | see 3 | dB |
| Common Mode Output S-parameter ⁴ | SCC22 | 0.01 to 4.74 GHz | | | -9 | dB |
| | | 4.74 to 11.1 GHz | | | see 5 | dB |

1. Host ASIC output must be set in combination of host channel to meet Y1 and Y2 levels of [Table 12](#).
2. Reference differential impedance is 100 Ω
3. Differential Output S-parameter is given by equation $SDD22(dB) = -8.15 + 13.33 \log_{10}(f/5.5)$, with f in GHz.
4. Reference common mode impedance is 25 Ω
5. Common mode output S-parameter is given by equation $SCC22(dB) = -8.15 + 13.33 \log_{10}(f/5.5)$, with f in GHz.

Table 27 ASIC/SerDes Receiver Electrical Input Specifications at D

| <i>Parameter - D</i> | <i>Symbol</i> | <i>Conditions</i> | <i>Min</i> | <i>Typ</i> | <i>Max</i> | <i>Units</i> |
|--|---------------|-------------------------------|------------|------------|------------|--------------|
| Differential Input Voltage Swing Supporting Limiting Module | V_{diff} | See 1 | | | 850 | mV (p-p) |
| Differential Input Voltage Modulation Amplitude Supporting Linear Module | VMA | See 1, 5, D.7 | | | 600 | mV |
| AC Common Mode Voltage Tolerance | | see D.15.3 | 15 | | | mV (RMS) |
| Differential Input S-parameter ² | SDD11 | 0.01 to 2.8 GHz | | | -12 | dB |
| | | 2.8 to 11.1 GHz | | | see 3 | dB |
| Differential to Common Mode Input Conversion S-parameter ⁴ | SCD11 | 0.01 to 11.1 GHz | | | -15 | dB |

1. Maximum value represents maximum input level to be tolerated by receiver.
2. Reference differential impedance is 100 Ω .
3. Response is given by equation $SDD11(dB) = -8.15 + 13.33 \log_{10}(f/5.5)$, with f in GHz.
4. The test set common mode reference impedance is 25 Ω .
5. Peak levels may exceed VMA due to overshoot of the far end transmitter.

APPENDIX C APPLICATION REFERENCE BOARDS (NORMATIVE)

In order to provide test results that are reproducible and easily measured, this document defines 3 test boards that have SMA interfaces for easy connection to test equipment. One reference board is designed for testing the ASIC/SerDes, one reference board (HCB) for testing the host, and another reference board (MCB) for testing the module. All host, module and ASIC/SerDes specifications and recommendations in this document, and the specifications for the mated pair of compliance boards, are defined at the SMA interfaces. This appendix describes these test cards in detail. The reference test boards' objectives are:

- Satisfy the need for interoperability at the electrical level.
- Allow for independent validation of ASIC/SerDes, host, and module.
- The PCB traces are targeted at 100 Ω differential impedance with nominal 7% differential coupling.

Testing compliance to specifications in a high-speed system is delicate and requires thorough consideration. Using common test boards that allow predictable, repeatable and consistent results among vendors will help to ensure consistency and true compliance in the testing.

C.1 COMPLIANCE BOARDS

The Host Compliance Board, the Module Compliance Board, and the ASIC test board are made with defined losses of PCB trace with specific high performance properties. Compliance boards are intended to ease building practical test boards with non-zero loss. SFI specifications incorporate the effect of non-zero loss reference test boards which improve the return loss and slightly slows down edges.

Measurements made using non-compliant test boards are invalid and no valid conclusions can be drawn from the results.

C.1.1 HOST COMPLIANCE BOARD TRANSFER CHARACTERISTICS

SDD21 is defined from the SFF-8083 mating pads, excluding these mating pads, to the mating interface of the SMA connector. The Host Compliance Board is a passive test board and SDD21 and SDD12 should be identical. The recommended response of the Host Compliance Board PCB excluding the SFF-8083 connector is given by.

$$SDD21(dB) = (-0.01 - 0.25 \times \sqrt{f} - 0.0916 \times f) \quad \text{from 0.01 to 15 GHz}$$

where f is the frequency in GHz. From 10 MHz to 11.1 GHz the discrepancy between the measured transfer response and the specified SDD21 (dB) shall be $< \pm 15\%$ of the transfer response in dB or ± 0.1 dB, whichever is larger. For frequencies > 11.1 GHz and up to 15 GHz the discrepancy between measured transfer response and the specified SDD21 (dB) shall be less than $\pm 25\%$ transfer response in dB.

The channel transfer characteristic is shown approximately in [Figure 34](#).

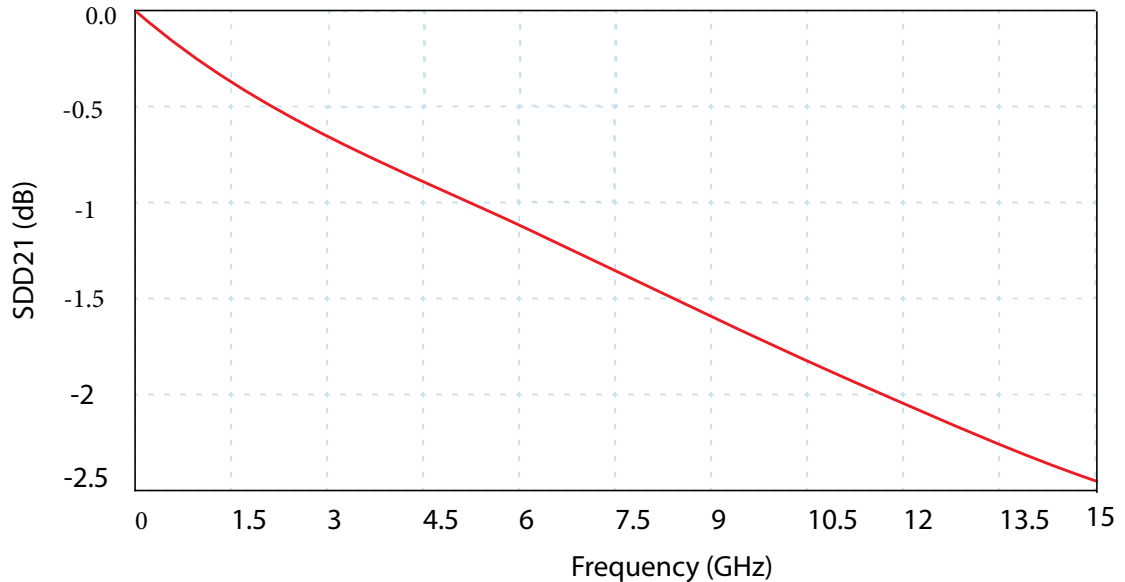


Figure 34 Approximate Response of Host Compliance Board

SFF-8083 connector response is defined by SFF-8083.

C.1.2 MODULE COMPLIANCE BOARD TRANSFER CHARACTERISTICS

SDD21 is defined from the SFF-8083 connector, excluding its solder pads, to the mating interface of the SMA connector. The Host Compliance Board is a passive test board and SDD21 and SDD12 should be identical. The recommended response of the Module Compliance Board PCB excluding the SFF-8083 connector is given by:

$$SDD21(dB) = (-0.00045 - 0.1135 \times \sqrt{f} - 0.04161 \times f) \quad \text{from 0.01 to 15 GHz}$$

where f is the frequency in GHz. Over the range of frequencies specified (10 MHz to 11.1 GHz) any discrepancy between measured transfer response and the specified SDD21 (dB) shall be $< \pm 15\%$ of the transfer response in dB or ± 0.1 dB, whichever is larger. For frequencies > 11.1 GHz and up to 15 GHz the

discrepancy between measured transfer response and the specified SDD21(dB) shall be less than $\pm 25\%$ of the transfer response in dB.

The channel transfer response is shown approximately in [Figure 35](#).

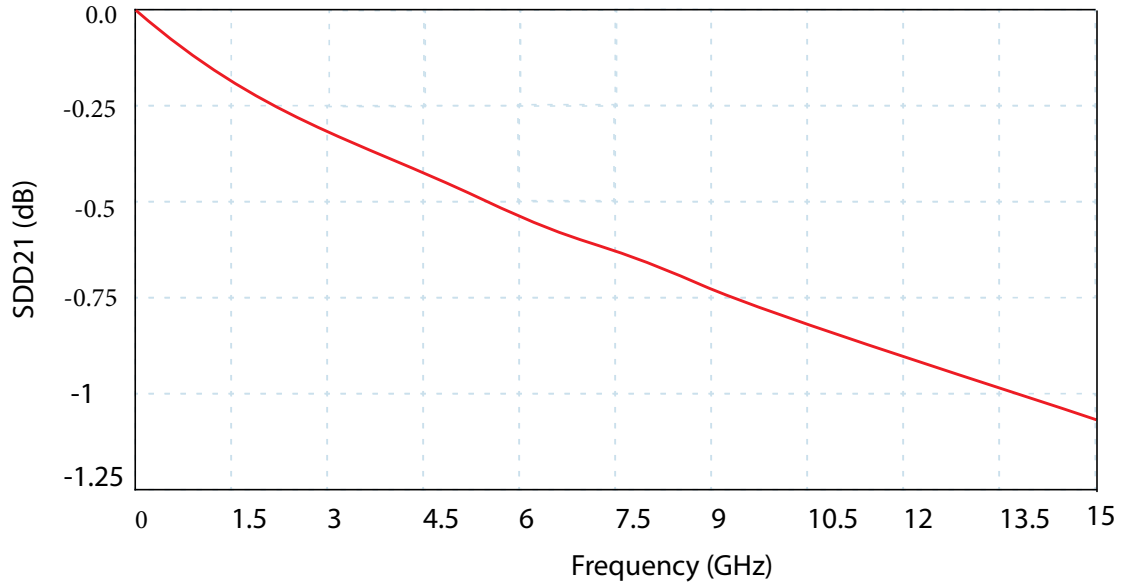


Figure 35 Approximate Transfer Response of Module Compliance Board

SFP+ connector response is defined by SFF-8083.

C.1.3 ASIC/SERDES TEST BOARD TRANSFER CHARACTERISTICS

The recommended response of the ASIC/SerDes test board PCB is the same as for the Module Compliance Board (see [C.1.2](#)).

C.2 HOST COMPLIANCE BOARD

The Host Compliance Board allows predictable, repeatable and consistent results among Host vendors and will help to ensure consistency and true compliance in the testing of Hosts. Host Compliance Boards are provided by Spirent Communication.

C.2.1 HOST COMPLIANCE BOARD MATERIAL AND LAYER STACK-UP

Host Compliance Board stack-up shown in [Figure 36](#) is on six metal layers Rogers RO4350B© / FR4-6 material. The board is compliant with requirements of SFF-8432 and SFF-8083. SFI signals are routed on signal layer 1, low speed signals and controls are routed on signal layer 6.

| | | |
|------------------------------------|----------|--|
| 1. Top Layer | Signal | 17 μm /0.5 oz Copper plated to 1 oz min+ 1.25 μm Nickel + 2.5 μm Gold |
| 0.168 mm / 6.6 mils Rogers RO4350B | | |
| 2. Layer | Vee | 34 μm /1 oz Copper |
| 0.14 mm / 5.5 mils FR4-6 | | |
| 3. Layer | Signal 1 | 17 μm /0.5 oz Copper |
| 0.178 mm / 7 mils FR4-6 | | |
| 4. Layer | Signal 2 | 17 μm /0.5 oz Copper |
| 0.14 mm / 5.5 mils FR4-6 | | |
| 5. Layer | Power | 34 μm /1 oz Copper |
| 0.168 mm / 6.6 mils Rogers RO4350B | | |
| 6. Bottom Layer | Signal | 17 μm /0.5 oz Copper plated to 1 oz min + 1.25 μm Nickel + 0.25 μm Gold |

Figure 36 Host Compliance Board stack-up

C.2.2 HOST COMPLIANCE BOARD PARTLIST

The Host Compliance Board part list is given below.

Table 28 Host Compliance Board Part List

| <i>Qty</i> | <i>RefDes</i> | <i>Value</i> | <i>Description</i> | <i>Example Part Number</i> |
|------------|--------------------|--------------|---------------------------------------|---------------------------------|
| 2 | C5, C6 | 0.1 uF | Ceramic Capacitor | 10% X7R 10V 0402 SMT LFR |
| 3 | D1, D2, D3 | GREEN | LED Single Green | 120 DEG 0603 SMT LFR |
| 2 | D4, D5 | Blue | LED Single Blue | 120 DEG 0603 SMT LFR |
| 1 | J1 | Conn3 | Connector Header 3 Pins Straight | Tyco PN#3-644695-3 |
| 4 | J2, J3, J4, J5 | EDGE SMA | SMA Connector Jack R/A | Rosenberger PN# 32K243-40ME3 |
| 1 | J6 | CONN1X3P | Connector Header 3 Pins 100 mil Pitch | Molex PN# 22-23-203 |
| 5 | R1, R2, R3, R4, R5 | 1.0 kΩ | Resistor | RES 1.00K 1% 1/10W 0603 SMT LFR |
| 1 | SW1 | SPST | SW 4 Position Dip Switch SMT | ITT Cannon PN# TDA04H0SB1 |

Note: [Table 28](#) does not use all in-sequence part numbers.

C.2.3 HCB GERBER FILES

The Gerber file for the Host Compliance Board is available in SFF-8434.

C.2.4 SCHEMATIC OF HOST COMPLIANCE BOARD

The schematic of Host Compliance Board is shown in [Figure 37](#).

Mod-DEF0 in the schematic is Mod_ABS as defined by [Table 3](#) and AS0/AS1 in the schematic are RS0/RS1 as defined by [Table 3](#).

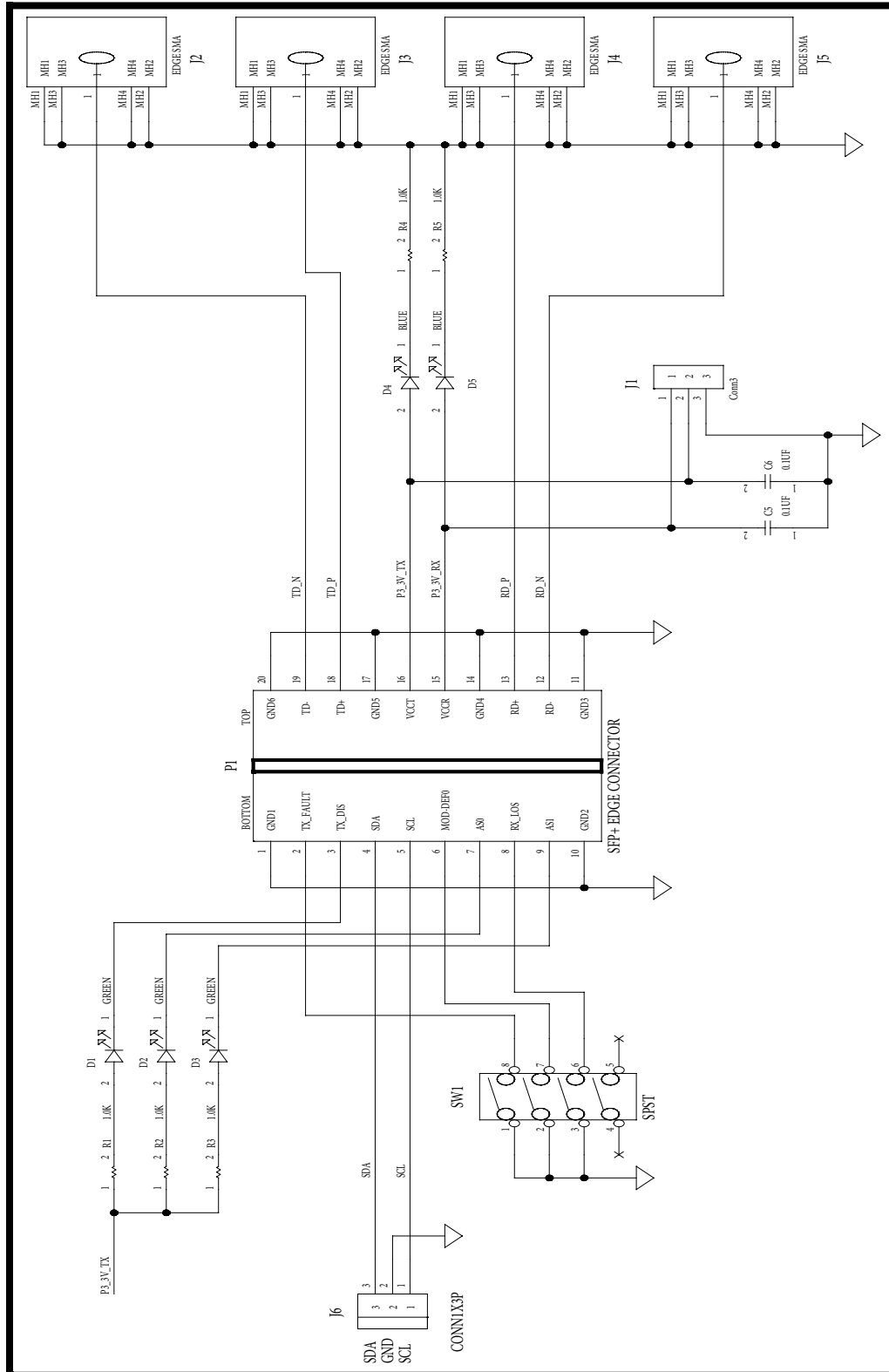


Figure 37 Schematic of the Host Compliance Board

C.3 MODULE COMPLIANCE BOARD

The Module Compliance Board allows predictable, repeatable and consistent results among module vendors and will help to ensure consistency and true compliance in the testing of modules. Module Compliance Boards are provided by Broadcom Corporation.

The solder pads for the high speed traces in the Module Compliance Board are 1.1x0.4 mm to improve high frequency performance instead of 2.0x0.5 mm as defined in the SFF-8083 for improved manufacturability. For detailed geometry, see the Gerber files in [C.3.4](#).

C.3.1 MODULE COMPLIANCE BOARD MATERIAL AND LAYER STACK-UP

Module Compliance Board stack-up shown in [Figure 38](#) is based on a laminate of Rogers RO4350B/ FR4-6 with ten metal layers. SFI signals are routed on signal layer 1, low speed signals and controls are routed on signal layers 8 and 10.

| | | |
|-------------------------------------|--------|--|
| 1. Top Layer | Signal | 17 μm /0.5 oz Copper + 1.25 μm Nickel + 2.5 μm Gold |
| 0.168 mm / 6.6 mils Rogers RO4350B | | |
| 2. Layer | Vee | 17 μm /0.5 oz Copper |
| 0.382 mm / 15 mils FR4-6 | | |
| 3. Layer | Vee | 34 μm /1 oz Copper |
| 0.076 mm / 3 mils FR4-6 | | |
| 4. Layer | VccR | 34 μm /1 oz Copper |
| 0.076 mm / 3 mils FR4-6 | | |
| 5. Layer | Vee | 34 μm /1 oz Copper |
| 0.076 mm / 3 mils FR4-6 | | |
| 6. Layer | VccT | 34 μm /1 oz Copper |
| 0.076 mm / 3 mils FR4-6 | | |
| 7. Layer | Vee | 34 μm /1 oz Copper |
| 0.076 mm / 3 mils FR4-6 | | |
| 8. Layer | Signal | 34 μm /1 oz Copper |
| 0.382 mm / 15 mils FR4-6 | | |
| 9. Layer | Vee | 17 μm / 0.5 oz Copper |
| 0.168 mm / 6.6 mils Rogers RO 4350B | | |
| 10. Bottom Layer | Signal | 17 μm Cu / 0.5 oz Copper+ 1.25 μm Nickel + 0.25 μm Gold |

Figure 38 Module Compliance Board stack up

C.3.2 SCHEMATIC OF MODULE COMPLIANCE BOARD

Schematic of Module Compliance Board is shown in [Figure 39](#).

Mod-DEF0 in the schematic is Mod_ABS as defined by [Table 3](#) and AS0/AS1 in the schematic are RS0/RS1 as defined by [Table 3](#).

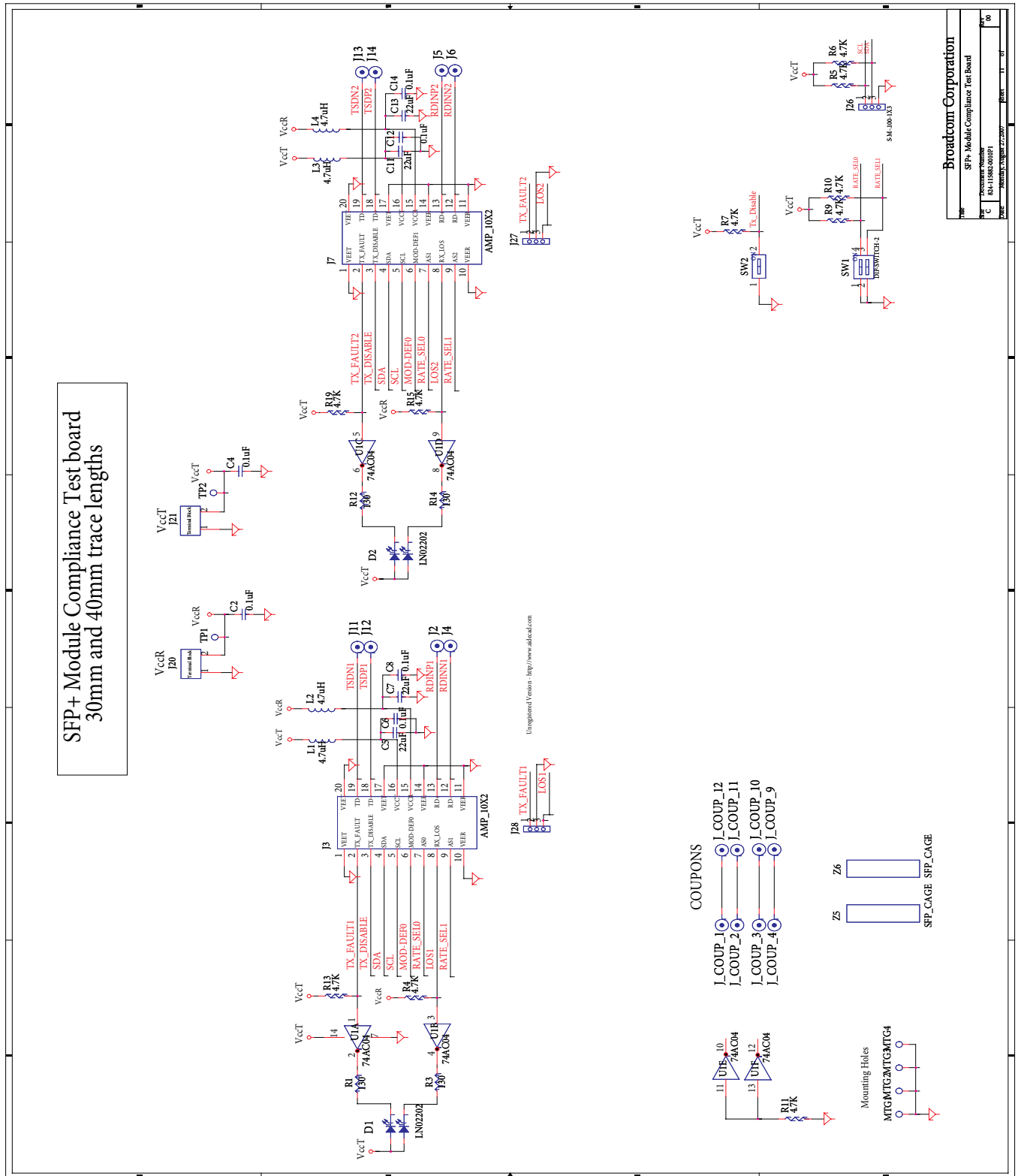


Figure 39 Schematic of The Module Compliance Board

C.3.3 MODULE COMPLIANCE BOARD PARTLIST

Component part list for the Module Compliance Board is given below.

Table 29 Module Compliance Board Part List

| <i>Qty</i> | <i>RefDes</i> | <i>Value</i> | <i>Description</i> | <i>Example Part Numbers</i> |
|------------|--|----------------|--------------------|-----------------------------------|
| 6 | C2, C4, C6, C8, C12, C14 | 0.1uF | Ceramic Capacitors | Murata/GRM188R71C104MA01D |
| 4 | C5, C7, C11, C13 | 22 uF | Ceramic Capacitors | Murata/GRM21BR60J226ME39K |
| 4 | D1, D2, D4, D5 | RED | LED | Panasonic/LNJ208R8ARA |
| 12 | J_COUP_2, J2, J_COUP_4, J4, J5, J6, J_COUP_9, J_COUP_11, J12, J14, J_COUP_1, J_COUP_3, J_COUP_10, J11, J_COUP_12, J13 | SMA | SMA Connector R/A | Huber&Suhner/92_SK-U50-0-3/199_NE |
| 2 | J3, J7 | Con_10x2 | SFF-8083 Connector | Tyco 1888247 or Molex 74441 |
| 2 | J20, J21 | Terminal Block | Terminal Bloc | On-Shore-Tech/EDZ5002DS |
| 3 | J26, J27, J28 | S-M-.100-1X3 | PCB Header | Molex/22-10-2031 |
| 4 | L1, L2, L3, L4 | 4.7 uH | Inductor | Toko/A914BYW-4R7M |
| 4 | R1, R3, R12, R14 | 130 Ω | Resistors | Walsin/WR06X131JTL |
| 10 | R4, R5, R6, R7, R9, R10, R11, R13, R15, R19 | 4.7 kΩ | Resistors | Walsin/WR06X472JTL |
| 1 | SW1 | DIP-SWITCH-2 | DipSwitch | CT2062-ND |
| 1 | SW2 | sw_pb_ck-k | Toggle Switch | C&K/ET01MD1AVBE |
| 1 | U1 | 74AC04 | Inverter | Fairchild/530438-00 |
| 2 | Z5, Z6 | SFP_CAGE | SFP Cage | Tyco 1489962-1 |

Note: [Table 29](#) does not use all in-sequence part numbers.

C.3.4 MCB GERBER FILES

The Gerber file for the Module Compliance Board is available in SFF-8434.

C.4 SPECIFICATIONS FOR MATED HOST AND MODULE COMPLIANCE BOARDS

Based on measurements of the Module Compliance Board (MCB) mated with the Host Compliance Board (HCB) the following specifications have been derived for the mated pair. Compliance to these limits help ensure the module and host specifications can be met.

S-parameters are defined based on two ports mixed mode differential definition [see INF-8077i Appendix C], see [Figure 40](#). All single port measurements are listed on the figure.

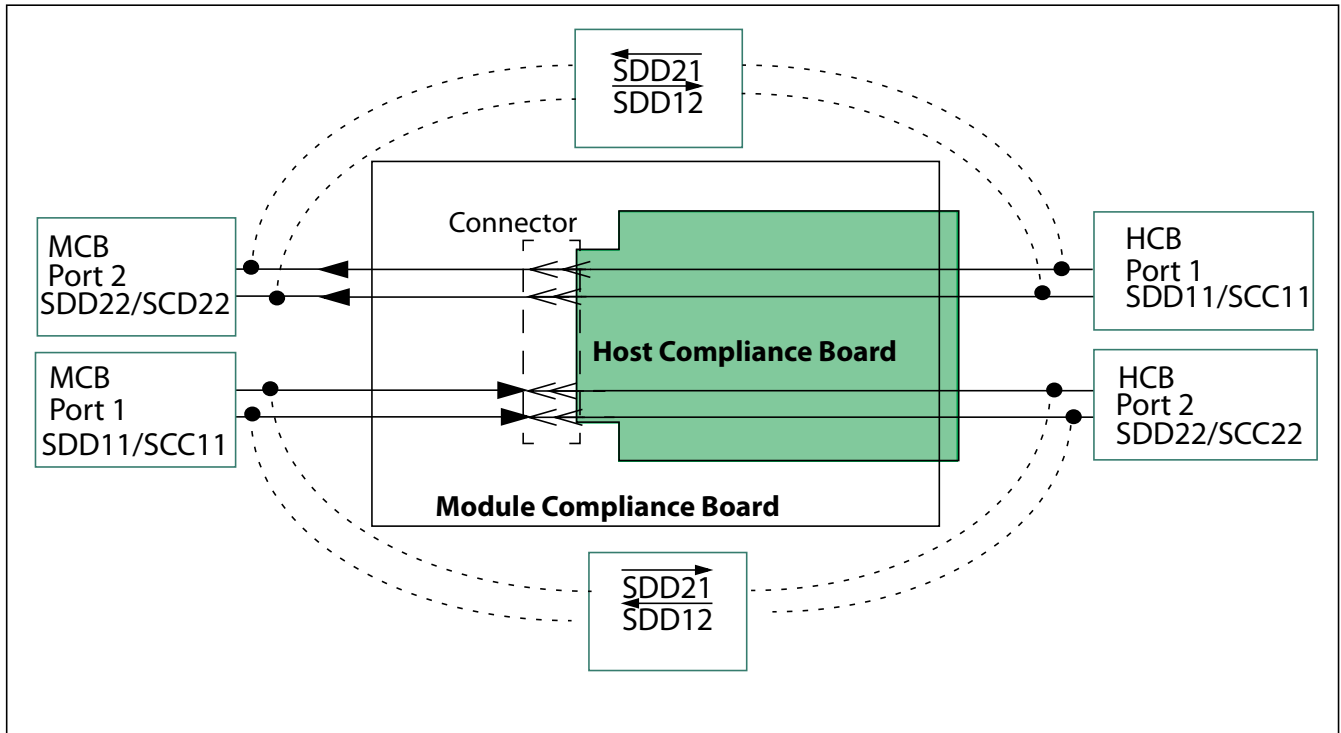


Figure 40 Measurements Port Definition

The maximum values of SDD11 or SDD22 looking into the Module Compliance Board and Host Compliance Board are illustrated in [Figure 41](#).

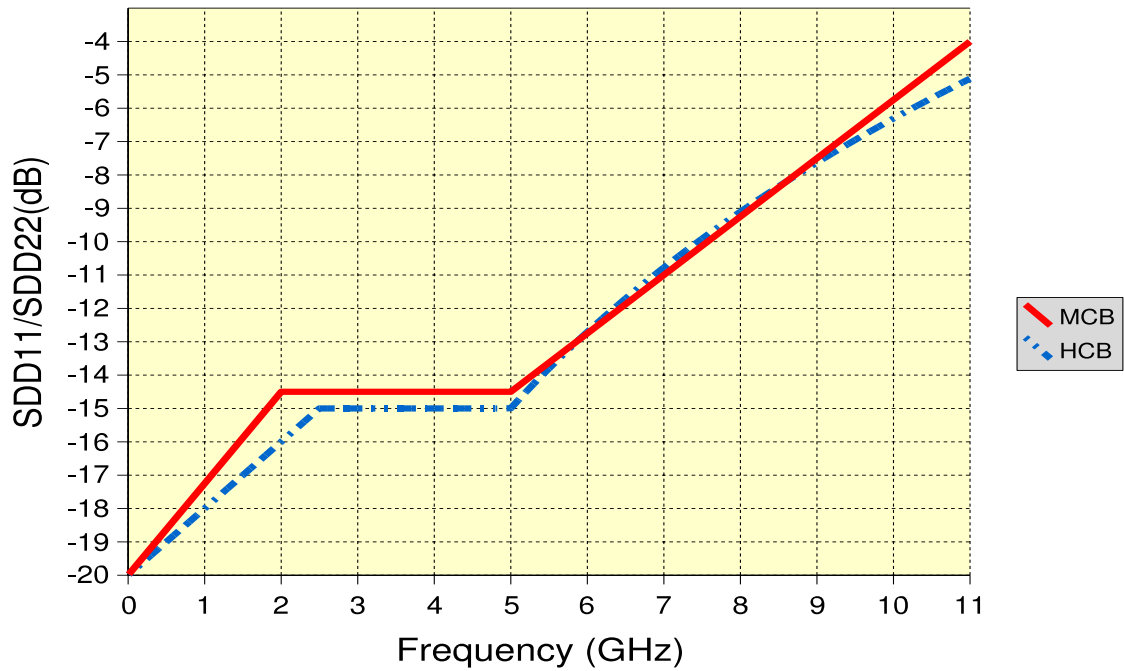


Figure 41 Maximum Differential Response of mated MCB and HCB

The maximum values of SDD11 or SDD22 looking into the Module Compliance Board are given by the following equations:

$$SDD_{xx}(dB) \leq -20 + 2.75 \times f \quad f \text{ in GHz from } 0.01 \text{ to } 2$$

$$SDD_{xx}(dB) \leq -14.5 \quad f \text{ in GHz from } 2 \text{ to } 5$$

$$SDD_{xx}(dB) \leq -23.25 + 8.75 \times \left(\frac{f}{5}\right) \quad f \text{ in GHz from } 5 \text{ to } 11.1$$

The maximum values of SDD11 or SDD22 looking into the Host Compliance Board are given by the following equations:

$$SDD_{xx}(dB) \leq -20 + 2 \times f \quad f \text{ in GHz from } 0.01 \text{ to } 2.5$$

$$SDD_{xx}(dB) \leq -15 \quad f \text{ in GHz from } 2.5 \text{ to } 5$$

$$SDD_{xx}(dB) \leq -13.8 + 28.85 \times \log_{10} \left(\frac{f}{5.5} \right) \quad f \text{ in GHz from } 5 \text{ to } 11.1$$

The maximum and the minimum values of SDD21 or SDD12 looking into either the Module Compliance Board or Host Compliance Board are illustrated in [Figure 42](#) and given by the equations below.

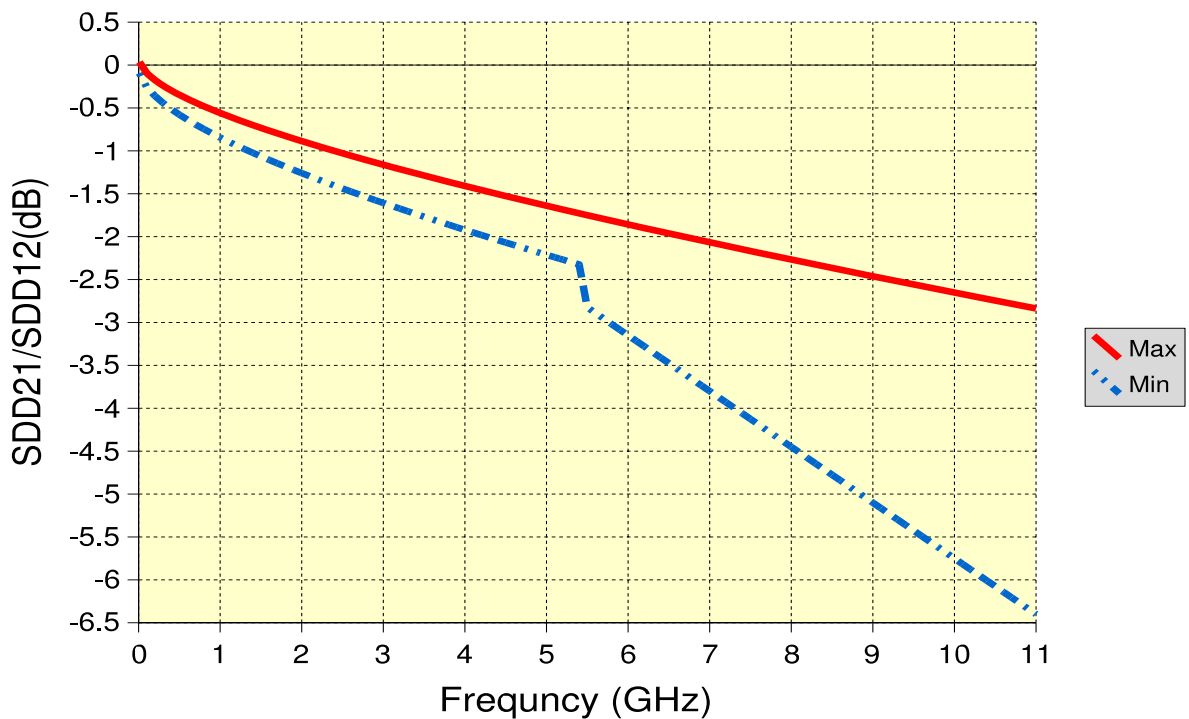


Figure 42 Mated MCB-HCB Differential Through Response Limits

$$SDD_{xx}(dB) \leq (-0.012 - 0.694 \times \sqrt{f} - 0.127 \times f) \quad f \text{ in GHz from } 0.01 \text{ to } 5.5$$

$$SDD_{xx}(dB) \leq 0.75 - 0.65 \times f \quad f \text{ in GHz from } 5.5 \text{ to } 11.1$$

$$SDD_{xx}(dB) \leq 0.0915 - 0.549 \times \sqrt{f} - 0.101 \times f \quad f \text{ in GHz from } 0.01 \text{ to } 11.1$$

The maximum values of SCC11 or SCC22 looking into either the Module Compliance Board or Host Compliance Board are illustrated in [Figure 43](#).

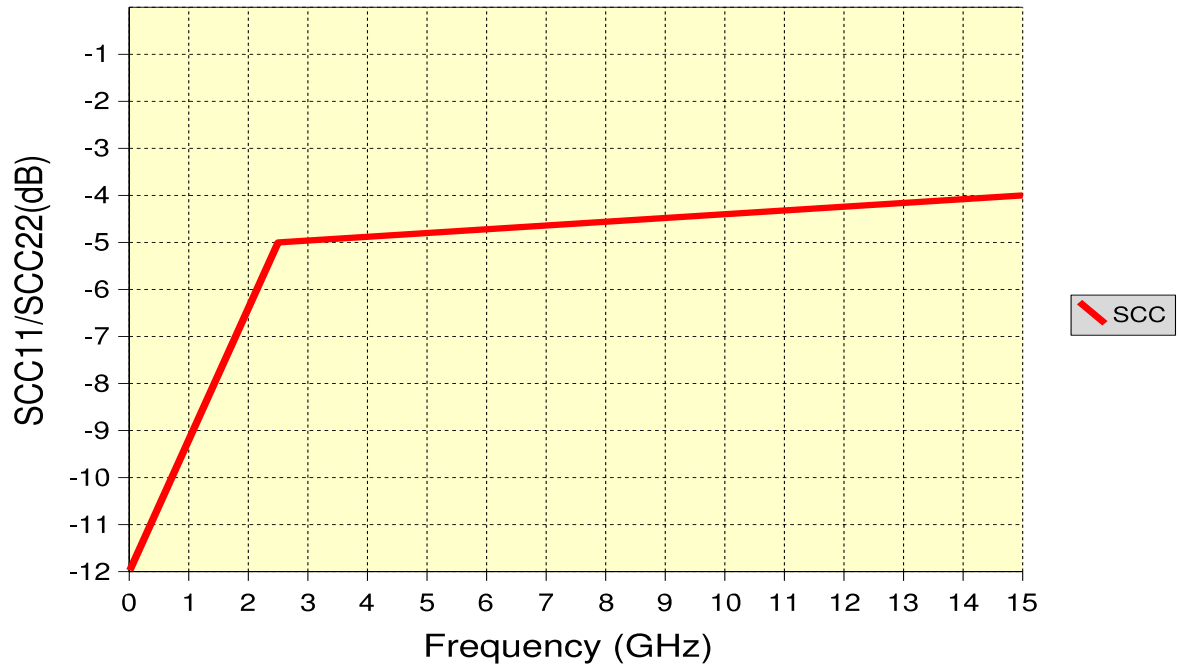


Figure 43 Maximum Common Mode Response of mated MCB and HCB

The SCC11 and SCC22 are also given by the following equations:

$$SCC_{xx}(dB) \leq -12 + 2.8 \times f \quad f \text{ in GHz from } 0.01 \text{ to } 2.5$$

$$SCC_{xx}(dB) \leq -5.2 + 0.08 \times f \quad f \text{ in GHz from } 2.5 \text{ to } 15.$$

The maximum values of Differential to Common Mode Response SCD21 and SCD12 looking into either the Module Compliance Board or Host Compliance Board are illustrated in [Figure 44](#).

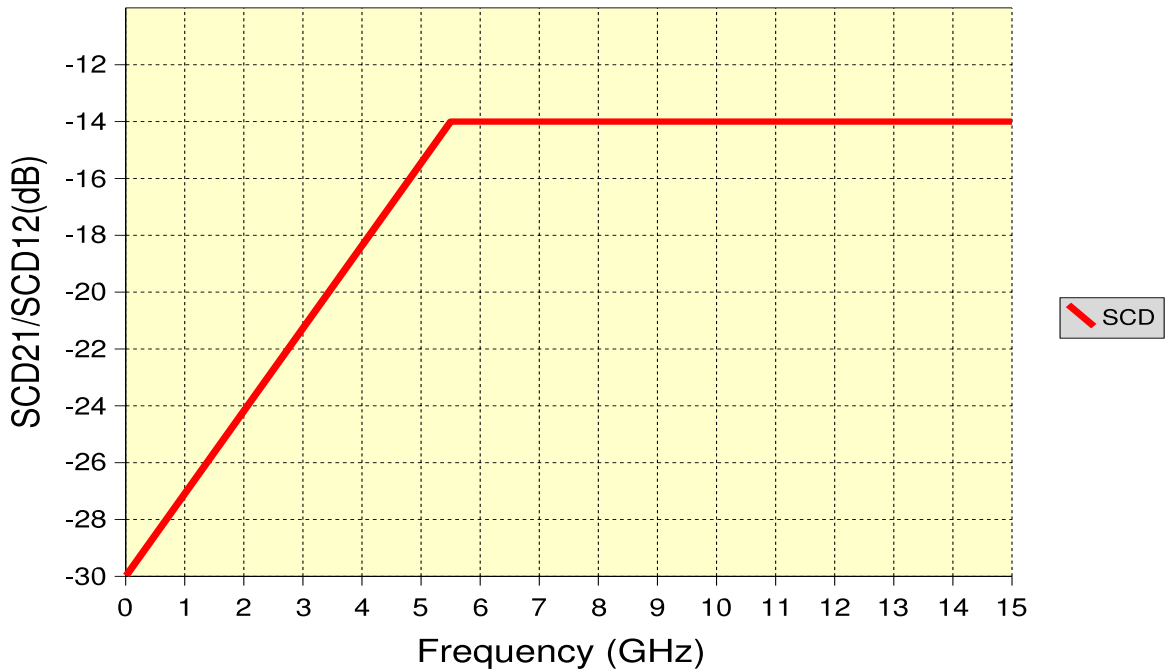


Figure 44 Maximum Differential to Common Mode Response of mated MCB and HCB

Mated response SCD21 and SCD12 of the mated Module and Host Compliance Board are given by:

$$SCD_{xx}(dB) \leq -30 + 2.91 \times f \quad f \text{ in GHz from } 0.01 \text{ to } 5.5$$

$$SCD_{xx}(dB) \leq -14 \quad f \text{ in GHz from } 5.5 \text{ to } 15.$$

When MCB Port 1 of the mated Module Compliance Board and Host Compliance Board is excited by the crosstalk source defined in [Table 12](#), the RMS differential NEXT voltage at MCB Port 2 shall be less than 1 mV when measured in a 12 GHz bandwidth. The differential NEXT voltage from HCB Port 1 to HCB Port 2 is expected to be about the same. Compliance boards meeting this response are expected to pass the integrated NEXT requirement, however it is also expected that the curve can be exceeded due to frequency resonances while still passing the integrated NEXT requirement. The frequency domain curve shown in [Figure 45](#) shows a recommended response which is described in the equations following the figure. Compliance boards meeting this NEXT response are expected to pass the NEXT voltage requirement, however it is

also expected that the curve can be exceeded due to frequency resonances while still passing the NEXT voltage requirement.

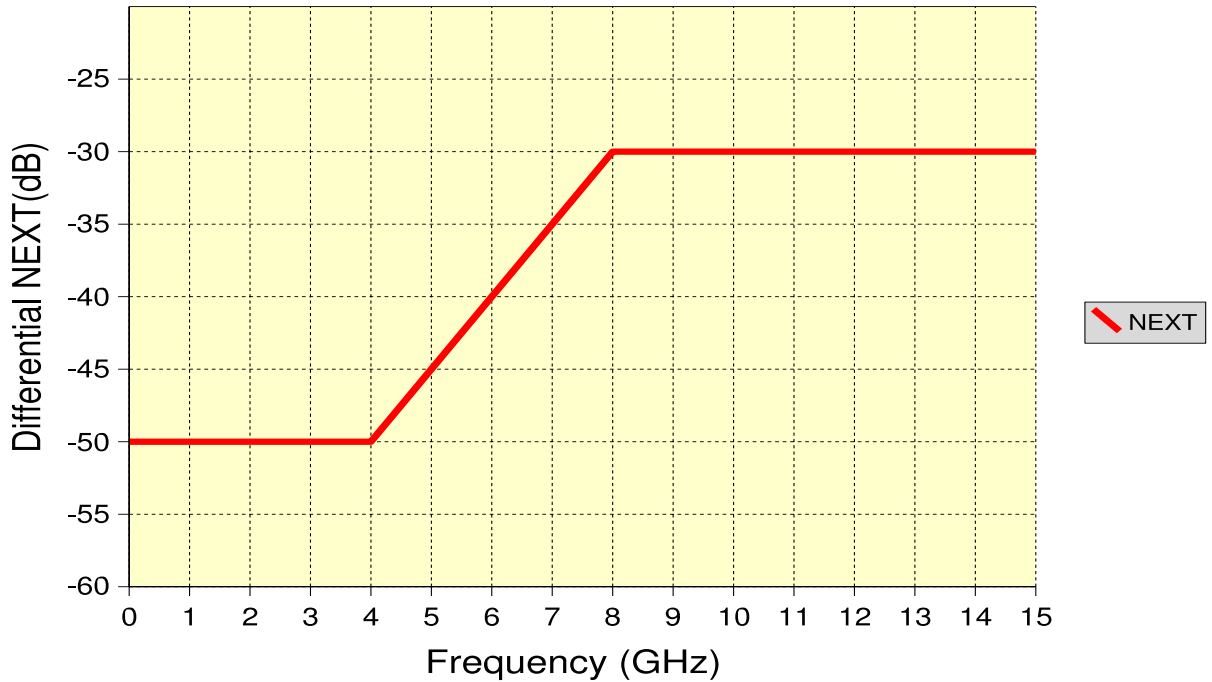


Figure 45 Maximum Differential NEXT Response of mated MCB and HCB

The recommended NEXT response is also given by the following equations:

$$NEXT(dB) \leq -50 \quad f \text{ in GHz from } 0.01 \text{ to } 4$$

$$NEXT(dB) \leq -70 + 5 \times f \quad f \text{ in GHz from } 4 \text{ to } 8$$

$$NEXT(dB) \leq -30 \quad f \text{ in GHz from } 8 \text{ to } 15.$$

APPENDIX D TEST METHODOLOGY AND MEASUREMENT (NORMATIVE)

D.1 INTRODUCTION

This appendix defines metrics for SFP+ high-speed and power electrical interfaces and provides practical guidance for test implementation. Each parameter is defined in terms of a measurement procedure. The instruments for measurement are assumed to be ideal: accurate, precise, with infinite or defined bandwidth, zero or defined noise and so on. In practice, the necessary level of instrument performance and the approach to calibration and margining must be considered. Some guidance is given in the following sections.

All measurements are made differentially, with the exception of AC Common Mode Generation Test [D.15.2](#), Common Mode Tolerance Test [D.15.3](#), Termination Mismatch [D.16](#), Module Power Supply Tolerance Filtering [D.17](#), and Power Supply Noise Testing Methodology [D.17](#).

Accurate calibration of test equipment is assumed for all measurements. To avoid pessimistic WDP and jitter results, the scope may require correction for time base linearity errors.

D.1.1 TEST PATTERNS

Test patterns used in this specification include the 8+8 square wave, PRBS9, IEEE 802.3 test patterns 1, 2 and 3, and any valid 64B/66B signal. PRBS9 is defined in IEEE Std 802.3, 68.6.1 and a file for the sequence can be found at http://ieee802.org/3/aq/public/tools/TWDP/prbs9_950.txt. Test patterns 1, 2 and 3 are defined in IEEE Std 802.3, 52.9.1.1. Test pattern 3 is PRBS31 as defined by ITU-T or in IEEE Std 802.3, 49.2.8.

D.2 EYE MASK COMPLIANCE

This section defines what is meant by eye mask compliance and gives guidance for its determination. Mask templates and coordinates are given in subclauses in [3.5 SFP+ Host System Specifications](#) and [3.6 SFP+ Module Specifications](#).

- The pattern(s) for eye mask testing is according to the relevant standard(s) listed in [Table 1](#).

- The output being tested should comply over the range of operating conditions while the opposing direction bit stream, operates with the target crosstalk rise and fall and amplitude given in [Table 12](#), [Table 14](#), [Table 17](#), and [Table 18](#). The opposing direction bit stream (than the one being tested) shall be asynchronous PRBS31 or valid 64B/66B bit stream.

Testing may include guard banding, extrapolation, or other methods, but must ensure that mask violations do not occur at a rate exceeding the hit ratio limit given in the appropriate table.

- An AC coupling 3 dB corner frequency of 20 kHz is expected to be adequate to eliminate baseline wander effects, however high frequency performance is critical and must not be sacrificed by the AC coupling.
- All loads are specified at 100 Ω differential.
- 0.0 UI and 1.0 UI on the time axis are defined by the eye crossing means at the average value (zero volts if AC coupled) of the signal. The average value might not be at the jitter waist.

A clock recovery unit (CRU) is used to trigger the scope for mask measurements as shown in [Figure 46](#). The reference CRU has a high frequency corner bandwidth of 4 MHz and a slope of -20 dB/decade with peaking of 0.1 dB or less.

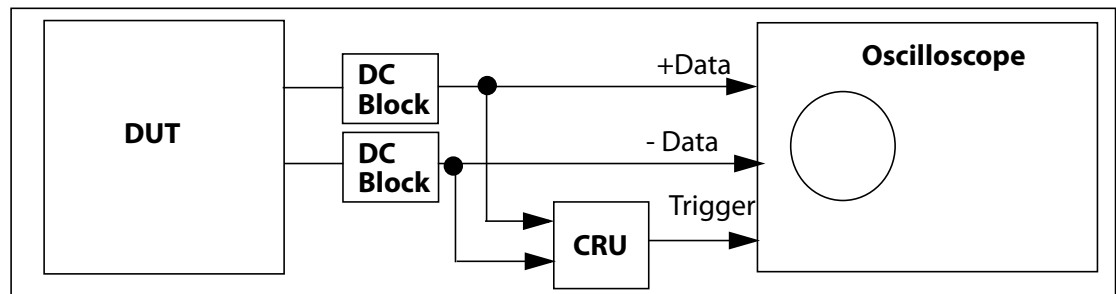


Figure 46 Eye mask measurement setup - block diagram.

D.2.1 EXAMPLE CALCULATIONS FOR 5×10^{-5} HIT RATIO

If an oscilloscope records 1350 samples/screen, and the time-base is set to 0.2 UI per division with 10 divisions across the screen, and the measurement is continued for 200 waveforms, then a transmitter with repeated measurement averaging to less than 6.75 hits is compliant. i.e.,

$$HitRatio = \frac{5 \times 10^{-5} \times 1350}{0.2 \times 10} = 6.75$$

Likewise, if a measurement is continued for 1000 waveforms, then repeated measurement averaging to less than 33.75 hits is compliant. An extended measurement is expected to give a more repeatable result, whereas a single reading of 6 hits in 200 waveforms would not give a statistically significant pass or fail.

D.3 DATA DEPENDENT JITTER (DDJ) AND PULSE WIDTH SHRINKAGE (DDPWS)

A high-resolution oscilloscope, time interval analyzer, or other instrument with equivalent capability may be used to measure DDJ and DDPWS. A repeating PRBS9 pseudo-random test pattern, 511 bits long, is used. For electrical jitter measurements, the measurement bandwidth is 12 GHz. If the measurement bandwidth affects the result, it can be corrected for by post-processing. However, a bandwidth above 12 GHz is expected to have little effect on the results.

DCD and Pulse Width Shrinkage (DDPWS) are components of DDJ.

Establish a crossing level equal to the average value of the entire waveform being measured. Synchronize the instrument to the pattern repetition frequency and average the waveforms or the crossing times sufficiently to remove the effects of random jitter and noise in the system. The PRBS9 pattern has 128 positive-going transitions and 128 negative-going transitions. The mean time of each crossing is then compared to the expected time of the crossing, and a set of 256 timing variations is determined. DDJ is the range (max-min) of the timing variations. Keep track of the signs (early/late) of the variations. Note, it may be convenient to align the expected time of one of the crossings with the measured mean crossing.

The following [Figure 47](#) illustrates the method. The vertical axis is in arbitrary units, and the horizontal axis is plotted in UI. The waveform is AC coupled to an average value of 0, therefore 0 is the appropriate crossing level. The rectangular waveform shows the ideal crossing times, and the other is the waveform with jitter that is being measured. Only 32 UI are shown (out of 511). The waveforms have been arbitrarily aligned with ($\Delta t_2 = 0$) at 14 UI.

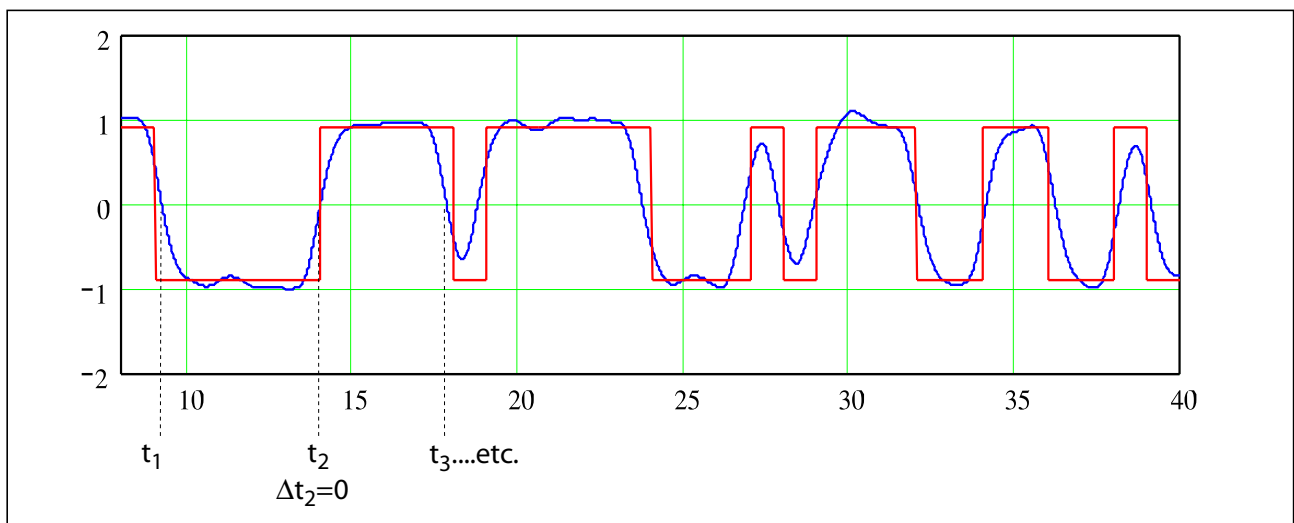


Figure 47 DDJ Test Method

DDJ is defined as

$$DDJ = \max(\Delta t_1, \Delta t_2, \dots, \Delta t_n) - \min(\Delta t_1, \Delta t_2, \dots, \Delta t_n)$$

Every edge, 1...n, in a complete repetition of the pattern is measured (n = 256 in a PRBS9 pattern).

DDPWS is determined as the difference between one symbol period and the minimum of all the differences between pairs of adjacent edges

$$DDPWS = T - \min(t_2 - t_1, t_3 - t_2, \dots, t_{n+1} - t_n)$$

where T is one symbol period. Note that the difference from the next edge in the repeating sequence, t_{n+1} , is also considered.

D.3.1 DUTY CYCLE DISTORTION (DCD)

DCD represents a deviation from the intended duty cycle. It is the difference between the mean position of all falling edges and the mean position of all rising edges with uncorrelated effects minimized through averaging. DCD is measured at the average value of the waveform.

D.4 UNCORRELATED JITTER (UJ)

UJ as defined by IEEE 802.3 CL 68 is a measure of any jitter that is un-correlated to the 64B/66B bit stream. The definition and test procedure for UJ are identical to those defined in IEEE 802.3 CL 68.6.8 with following considerations:

- The host transmitter shall comply while the host receiver is operating with asynchronous PRBS31 or valid 64B/66B signal and all other ports operating as in normal operation, including proper termination.
- The receive path input of the Host Compliance Board is connected to a pattern generator and calibrated through a Module Compliance Board. The amplitude and rise time are set to the target values stated in [Table 12](#) at C".
- For the purposes of this document the procedures defined for optical testing also apply to electrical testing. Optical terms (such as power) and units, such as in Figure 68-9 in IEEE 802.3, can be converted to corresponding electrical terms (such as voltage) and units, etc.

- The 4th-order Bessel-Thomson response is to be used only for optical measurements of UJ. UJ in the electrical domain is defined in a bandwidth of 12 GHz, unless specified by the application standard.
- PRBS9 is suitable as a test sequence for all applications unless specified otherwise.
- The bandwidth of the CRU is defined in IEEE 802.3 clause 68.6.8 or in the relevant standard for the application.

D.5 99% JITTER (J2) AND TOTAL JITTER (TJ)

Jitter is a property of the timing of a signal's edges. The time of occurrence of an edge is defined as when the signal crosses its average level (e.g., 0 V for A.C. coupled, ground terminated measurements). Jitter is defined using the CRU of section [D.2](#). The test pattern for Total Jitter (TJ) and 99% Jitter (J2) testing shall be either PRBS31 or a valid 64B/66B signal. These metrics of jitter are measured without averaging.

J2 is the same as J, "all but 1% for jitter", used in IEEE 802.3 Clause 52.9.9. It is defined as the time interval that includes all but 10^{-2} of the jitter distribution. If measured using an oscilloscope, it is the time interval from the 0.5th to the 99.5th percentile of the jitter distribution measured on the histogram.

TJ, as used in this document, is the Level 1 definition for TJ as described in the FC-MJSQ, where TJ is the crossing width, defined as the late time at which the BER is 10^{-12} minus the early time at which the BER is 10^{-12} . This is one unit interval (UI), minus the "jitter eye opening" defined in FC-MJSQ. TJ can be expressed as:

- $TJ = T - t_1$

Where t_1 is the jitter eye opening at the $CDF = 10^{-12}$, and T is one symbol period.

The CDF is a cumulative distribution function of the timings of the edges with a maximum close to 0.5 because the transition density is close to 50%.

A measurement using the BERT bathtub method must be corrected for the instrument's setup-and-hold time and noise. As PRBS31 is more demanding than a 64B/66B signal, a 10GBASE-R instance whose TJ is compliant using a 64B/66B signal is considered compliant even if it does not meet the required limit using PRBS31. A 10GBASE-W instance shall be compliant with PRBS31. It is not expected that the J2 value will differ between these patterns.

Both J2 and TJ are measured from side to side of the CDF, not from median to side of the CDF.

D.6 RISE AND FALL TIMES

In this document, rise and fall times are defined as the time between the 20% and 80% times, or 80% and 20% times, respectively, of isolated edges. The normative test pattern is the OMA test pattern (eight ones, eight zeros). The 0% level and the 100% level are as defined by the xMA measurement procedure (see [D.7](#) and IEEE Std 802.3, 68.6.2).

Alternatively, suitable edges exist in the PRBS9, within sequences of five zeros and four ones, and nine ones and five zeros, respectively. These are bits 10 to 18 and 1 to 14, respectively. In this case, the 0% level and the 100% level may be estimated as ZeroLevel and ZeroLevel + MeasuredxMA in the xWDP code (see [Appendix G](#)), or by the average signal within windows from -3 to -2 UI and from 2 to 3 UI relative to the edge. The PRBS9 methods are inaccurate for rise and fall times above 1.5 UI.

For electrical signals, the waveform is observed through a 12 GHz low pass filter response. For optical signals, the rise and fall times may be defined either without a filter response or through the standard 7.5 GHz Bessel-Thomson response; one or the other option is specified in each case.

NOTE -- The rise and fall definition in this document is not the same as the rise and fall times typically reported by an oscilloscope from an eye diagram derived from a mixed frequency signal such as PRBS or a 64B/66B signal, which takes all the edges into account.

D.7 VOLTAGE MODULATION AMPLITUDE (VMA)

VMA is the difference between the nominal one and zero levels of an electrical signal. It is analogous to the OMA of an optical signal (see IEEE Std 802.3 52.9.5 and 68.6.2). VMA is defined with the square wave test pattern of eight ones and eight zeros defined in IEEE Std 802.3, 68.6.1 (this is a subset of the square waves allowed in IEEE 802.3, 52.9.5), or in the case of a non-802.3 application, a test pattern defined by the relevant standard.

It can be measured as follows:

- The signal under test is set to carry the square wave pattern and is observed, typically with an oscilloscope triggered to the pattern. The bandwidth of this measurement system is at least $3/T$, where T is the period between transitions. For the square wave test pattern (00000001111111) this gives approximately 4 GHz at 10.3125 GBd; the 12 GHz bandwidth defined for other electrical quantities is convenient. Electrical measurements of VMA do not require a 7.5 GHz Bessel-Thomson filter.

- The square wave being measured is divided into two equal time intervals, 8 UI long, aligned to the average time of both edges.
- The time of occurrence of an edge is defined as when the square-wave signal crosses its average level (0 V for A.C. coupled measurements).
- The average voltage level in the central 20% of each time interval is measured.
- The difference between the two levels (a positive voltage) is the VMA.
- An estimate of the OMA or VMA of a PRBS9 waveform is provided by the variable MeasuredxMA calculated by the algorithm in [Appendix G](#).

An example square wave signal with eight zeros and eight ones with the two measurement windows is shown in [Figure 48](#).

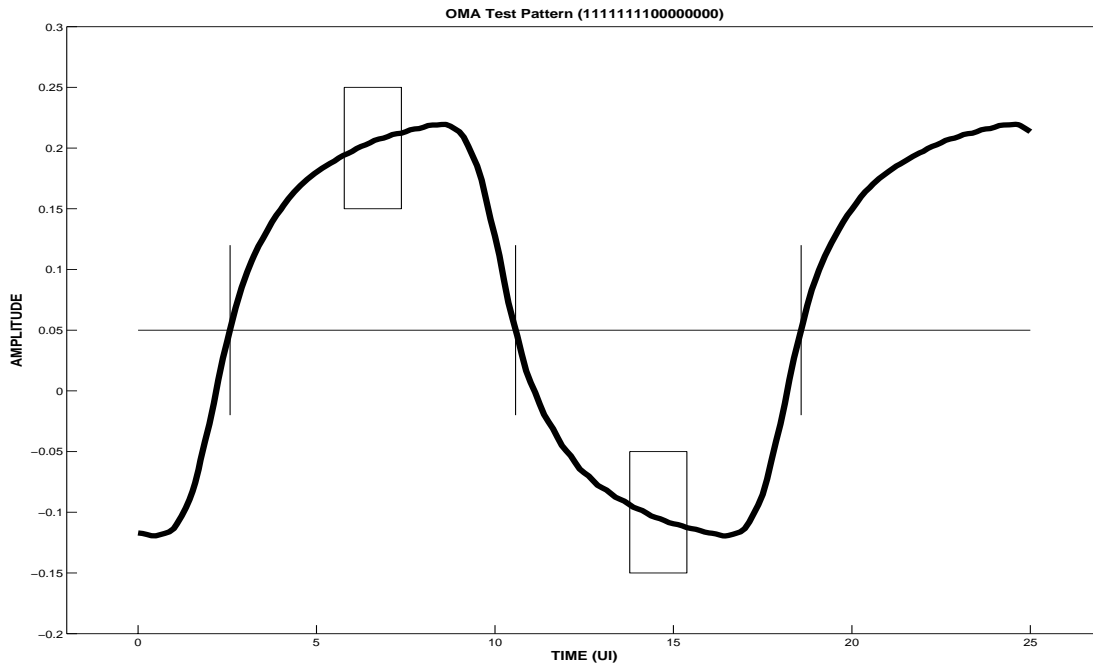


Figure 48 Example xMA waveform showing xMA measurement windows

D.8 RELATIVE NOISE (RN)

RN is a measure of reciprocal SNR for a signal. RN is given by:

$$RN = \frac{2 \times \text{noise}(RMS)}{(xMA)}$$

where for this document, xMA is OMA if an optical signal is being measured, or VMA if an electrical signal is being measured, and noise(RMS) is measured on the same optical signal or electrical signal, respectively.

Important parts of the measurement procedure for RN can be found in IEEE Std. 802.3 CL 68.6.7 (LRM). Some comments:

- For purposes of this document, the definitions and procedures generally apply to both optical and electrical signals. Optical terms (such as power) and units can be converted to corresponding electrical terms (such as voltage) and units.
- The test pattern defined for OMA in IEEE 802.3 Clause 68, or other standard relevant for the application, shall be used regardless if the RN measurement is being done on an optical or an electrical signal.
- The 4th-order Bessel-Thomson response is to be used only for optical measurements of RN. The bandwidth of the Bessel-Thomson response is called out in the relevant standard for the application. RN in the electrical domain is defined in a bandwidth of 12 GHz.
- Location of histograms are shown in Figure 68-4 in 802.3 Clause 68.
- Noises at both logic levels should be measured: logicONEnoise(rms) and logicZEROnoise(rms). Apply the rms technique according to the equation:

$$\text{noise}(RMS) = \sqrt{(\text{logicONEnoise}(RMS))^2 + \text{logicZEROnoise}(RMS)^2} / 2$$

- The equation for RN is given above. A calculation of Q_{sq} is not required, nor is a calculation in units of dB/Hz, such as for transmitter RIN. If logicONEnoise(RMS) equals logicZEROnoise(RMS) then RN equals $1/Q_{sq}$.

D.9 WAVEFORM DISTORTION PENALTY (WDP)

WDP is a waveshape metric for waveform filtering and/or nonlinear distortion. WDP uses the same procedure as defined for TWDP in IEEE 802.3 Clause 68.6.6 (LRM).

- For purposes of this document, the definitions and procedures generally apply to both optical and electrical signals. Optical terms (such as power) and units can be converted to corresponding electrical terms (such as voltage) and units, etc.

- WDP is not restricted to transmitter measurements (hence, the “T” is dropped).
- The 4th-order Bessel-Thomson response is to be used only for optical measurements of WDP, such as calibration of an optical receiver test system. The bandwidth of the Bessel-Thomson response is called out in the relevant standard for the application.
- The definition of electrical WDP assumes a measurement bandwidth of 12 GHz. A different measurement bandwidth can be corrected for by processing the captured waveform before the WDP calculation. However, a higher bandwidth is expected to have little effect on the result.
- PRBS9 is the normative test sequence for this specification.
- To improve measurement accuracy, uncorrelated jitter and noise should be reduced. For IEEE 802.3 CL 52, sinusoidal interference and sinusoidal jitter are turned off.
- Averaging should be used to further reduce instrumentation and measurement noise so their effect on the results are negligible.
- Specific code for calculating WDP is found in [Appendix G](#).

D.10 ELECTRICAL COMPLIANCE SIGNAL AT B” FOR THE SFP+ MODULE TRANSMITTER

[Figure 49](#) shows the test configuration for testing SFP+ transmitters. It applies to all SFP+ transmitter types.

The receive channel of the calibration setup is exercised by the upper crosstalk generator in [Figure 47](#) to ensure that the crosstalk within the setup is acceptable. The crosstalk specifications of [Table 17](#) are to be achieved through the mated host and module compliance boards and into appropriate test equipment.

The compliance signal at B” has deliberate ISI and sinusoidal jitter. It is calibrated through the Host Compliance Board to deliver the DDJ or DDPWS, UJ, and Y1 or Y2 specified in [Table 17](#). The compliance signal is applied to the module under test in place of the Host Compliance Board, with receive side active, so that the transmitted signal can be assessed as specified by the supported transmission standard e.g. 10GBASE-SR, 10GBASE-LR or 10GBASE-LRM. There are four conditions in all: large and small signals, under-compensated and over-compensated. The opposing direction bit stream shall be asynchronous PRBS31 or valid 64B/66B bit stream.

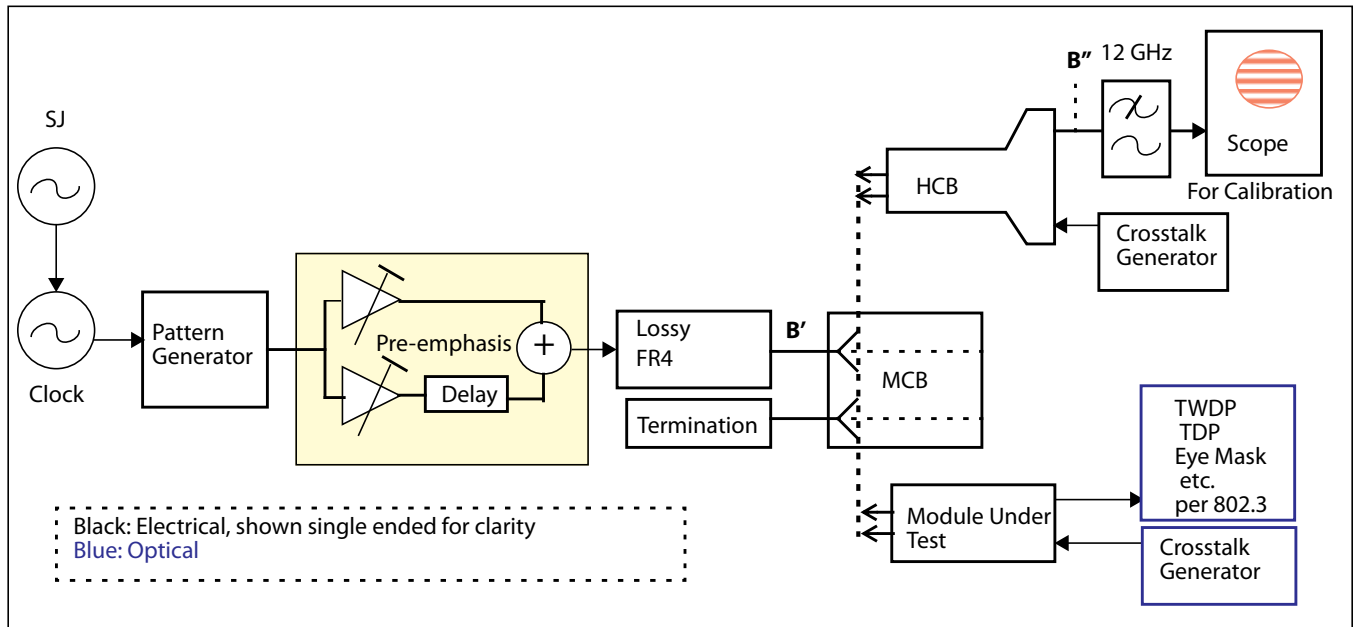


Figure 49 Compliance signal generator for module transmitter

The emphasis settings are adjusted to give the specified DDJ (over-compensated) and DDPWS (under-compensated) at B' , in two test conditions. In the over-compensated condition the DDJ shall be equal to the target value in [Table 17](#) while the DDPWS is between 0.045 UI and 0.055 UI. In the under-compensated condition DDPWS shall be equal to the target value in [Table 17](#) while the DDJ is between 0.075 UI and 0.1 UI. The amplitude is adjusted so that an eye mask measurement shows that the compliance signal meets the specified Y1 or Y2 at a hit ratio of 5×10^{-5} . The sinusoidal jitter (SJ) is adjusted to give the specified UJ. Otherwise, the compliance signal is clean and low noise. There are no deliberate Gaussian or “random” impairments other than crosstalk.

The single ended reflection coefficients looking to the right of the HCB and the single ended reflection coefficients looking to the left of the MCB as shown in [Figure 49](#), shall be according to:

$$S_{xx}(dB) \leq 20 \quad f \text{ in GHz from } 0.01 \text{ to } 5.5$$

$$S_{xx}(dB) \leq -25.8 + 1.053 \times f \quad f \text{ in GHz from } 5.5 \text{ to } 15.$$

The compliance signal complies to the mask in [3.6.1](#), and has margin to the dimensions given by X1, X2 (jitter margin). The large signal has margin to the dimension given by Y1 and approaches Y2 closely, while the small signal approaches Y1 closely and has margin to Y2.

The frequency of the SJ is significantly higher than the bandwidth of the clock recovery unit used to assess the signal transmitted by the module (specified as 4 MHz). Care should be taken that this frequency does not beat against the sampling frequency used to measure the averaged waveform in a TWDP measurement. It must not have a harmonic relationship to the pattern repetition frequency.

The patterns to be used for calibration are specified by the appropriate appendix, e.g. [D.3](#). The patterns to be used with the module, both transmitted and received, are defined by the supported transmission standard. Other characteristics of the compliance signal are defined by the supported transmission standard.

Note that TJ is not intended to be near the maximum TJ allowed in [Table 17](#), and apart from deliberate SJ, there should be much less UJ than the maximum allowed in [Table 17](#). It is recommended that adequate averaging be used in TWDP, DDJ and DDPWS measurements to average the effect of the uncorrelated jitter. [Table 30](#) lists the estimated parameter values for an ideal stressed signal generator.

Table 30 Estimated parameter values for an ideal stressed signal generator

| <i>Parameter</i> | <i>Value</i> | <i>Unit</i> |
|------------------------------|--------------------------|-------------|
| Delay | 1 | UI |
| Filter bandwidth | <i>For Further Study</i> | GHz |
| VMA Min at B ^o | <i>For Further Study</i> | mV |
| VMA Max at B ^o | <i>For Further Study</i> | mV |
| Rise times at B ^o | <i>For Further Study</i> | ps |

D.11 TEST METHOD FOR A HOST RECEIVER FOR A LIMITING MODULE

This clause provides guidance for jitter tolerance testing at the RX host compliance point C. Compliance is required with input jitter, vertical eye opening (Y1), and vertical peak level (Y2) as specified in [Table 14](#). Compliance is defined at the error rate(s) set by the appropriate optical standard. There are two test conditions; once each for the sensitivity and overload vertical eye parameters conditions.

Further information on definitions and test methods for stressed-eye jitter tolerance are contained in the references (FC-MJSQ and OIF-CEI).

D.11.1 TEST EQUIPMENT & SETUP

A test source is used to continuously generate an appropriate test signal. The test signal shall be appropriately conditioned within the guidelines outlined in [D.11.2](#) to exhibit the appropriate jitter stress.

An RF attenuator or other output amplitude control of the test source may be required to set the vertical eye opening of the stressed eye.

The test equipment measured at C looking into the low pass filter shall have better than 20 dB return loss up to 12 GHz.

The output return loss properties of the test system when measured at C" with the Module Compliance Board shall be 2 dB better than the specifications of [Table 18](#) up to 8 GHz and 1 dB better up to 11 GHz.

It is required that the receiver under test include a mechanism to allow measurement of BER performance.

D.11.2 STRESSED-EYE JITTER CHARACTERISTICS

This section describes required test signal characteristics along with considerations and suggested approaches for test signal generation. The test signal is generated by the functions shown in [Figure 50](#) or by equivalent means. [Figure 51](#) illustrates how the jitter parameters in [Table 14](#) map to the jitter components in the stressed-eye test signal.

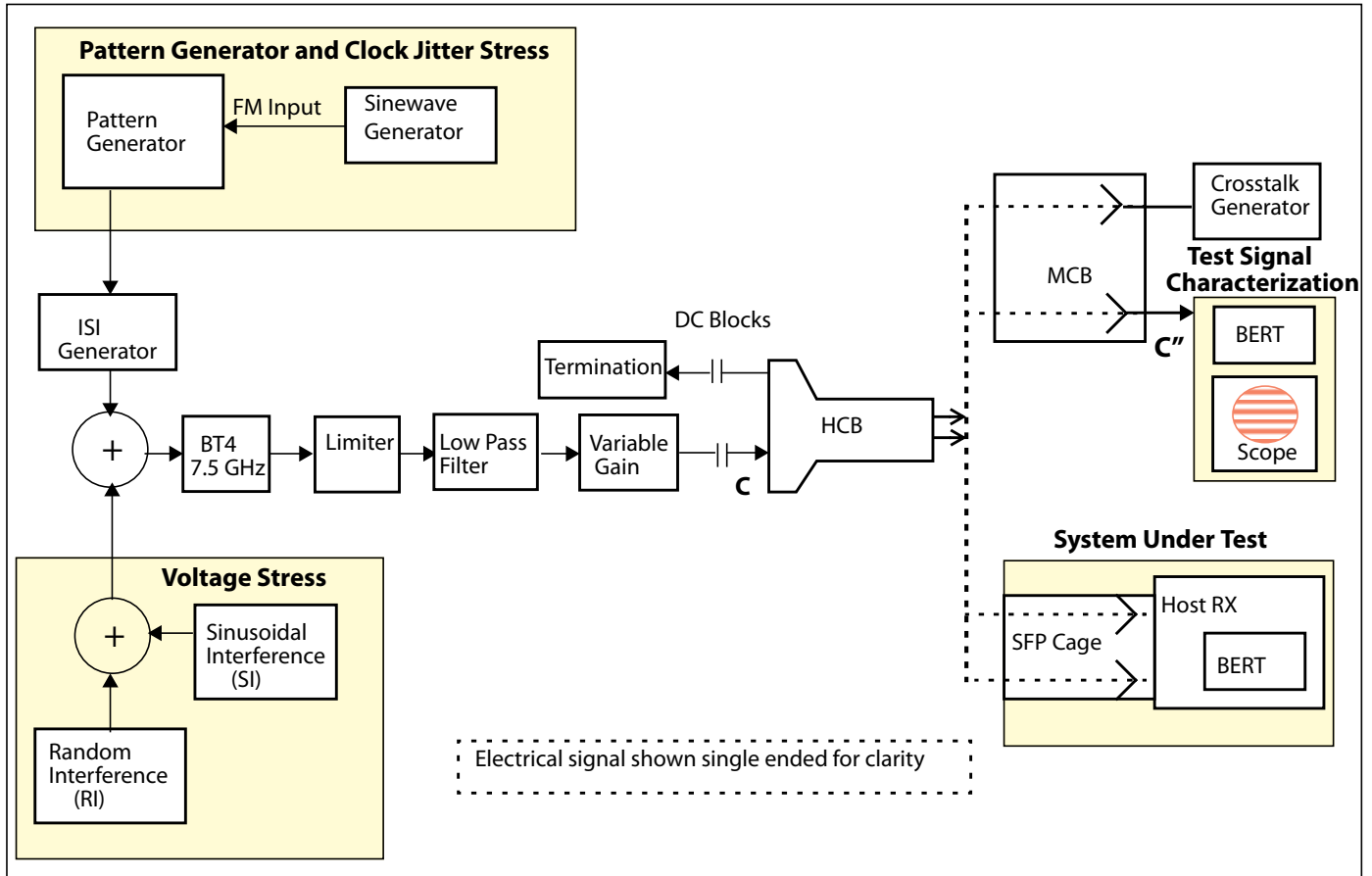


Figure 50 Jitter Tolerance Test Configuration

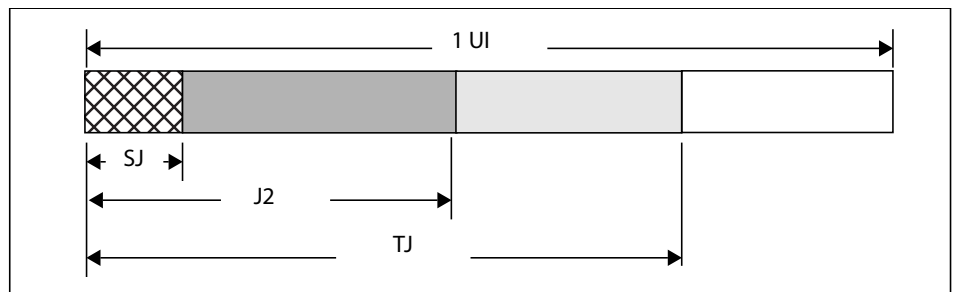


Figure 51 Stressed eye jitter components

The 0.05 UI **SJ** component of 99% Jitter (**J2**) is defined for frequencies much higher than the CDR bandwidth (e.g. $\sim 20 \text{ MHz}$). At lower frequencies the CDR must track additional applied **SJ** as detailed in the relevant specifications ¹.

1. See [Figure 21](#) and IEEE 802.3 CL52.8.1.

The balance of the J2 is composed of a combination of the following forms of jitter: ISI, sinusoidal interference (SI), and random interference (RI) all passed through a limiting function.

The signal at C" shall have DDPWS as defined by [Table 14](#). Magnitude of any DCD (see [D.3.1](#)) in the test shall not exceed 0.02 UI.

ISI jitter creation may be achieved by the ISI generator through the use of a low pass filter, length of FR4 trace, length of coax cable or other equivalent method. It is required that this signal be passed through a limiter function to ensure that the resulting jitter is not totally equalizable jitter. A suitable limiter function may be implemented using a discrete limiting amplifier followed by a low pass filter and an attenuator. The low pass filter emulates the bandwidth and/or slew rate of a practical limiter. The attenuator is used to set the output amplitude to minimum and maximum values allowed by the eye mask coordinates of [Table 14](#).

A voltage stress is to be applied before the limiter. This stress is composed of a single tone sinusoidal interferer (SI) in the frequency range 100 MHz to 2 GHz and a broadband noise source (RI) with a minimum power spectrum of -3 dB at 6 GHz and minimum 7 crest factor. It is the intent that this combination of voltage stress and limiting function introduce pulse-shrinkage jitter behavior. However no more than 20% of the J2 is created by the sinusoidal interferer.

Jitter generation mechanisms for the pattern generator are typically based on phase modulation of the clock source, edge modulation of a variable delay line or a combination thereof.

Any approach that modulates or creates the appropriate levels and frequencies of the jitter components is acceptable.

D.11.3 CALIBRATION

Calibration of the test signal is to be performed using the guidelines for test setup in [D.11.1](#) and illustrated in [Figure 50](#). The aim of the calibration is to achieve a test signal exhibiting jitter stress in accordance with [Table 14](#).

The test signal should be calibrated differentially into standard instrumentation loads. If complementary single-ended signals are used they should be carefully matched in both amplitude and phase.

For improved visibility for calibration, it is imperative that all elements in the signal path (cables, DC blocks, etc.) have wide and flat frequency response as well as linear phase response throughout the spectrum of interest. Baseline wander and overshoot/undershoot should be minimized.

An AC coupling 3 dB corner frequency of 20 kHz is expected to be adequate to eliminate baseline wander effects, however high frequency performance is critical and must not be sacrificed by the AC coupling.

Jitter requirements are defined for a probability level of 1×10^{-12} . To calibrate the jitter, methods given in CEI 2.C Annex and MJSQ Chap 8 are recommended. Given random jitter and the nature of the long test patterns, low probability jitter events will likely be present. It is recommended for jitter calibration that a technique that can accurately measure low probability events should be used to avoid overly stressful test conditions.

It is recommended that the actual compliance test pattern be used during calibration. For jitter stress calibration it is permissible, however, to use any appropriate test pattern which still results in the creation of a compliance test pattern with the appropriate jitter stress.

D.11.4 CALIBRATION PROCEDURE

The vertical eye opening and peak level should be set approximately to the levels specified in [Table 14](#).

With an applied calibration test pattern and no additional jitter stress applied; the intrinsic jitter of the test source due to intrinsic noise and finite bandwidth effects should be measured and calibrated. The 99% jitter (J2) shall be <0.15 UI and TJ <0.25 UI.

SJ should be added until the J2 component of jitter increases by 0.05 UI above the measured reference level. This should be high frequency SJ well above the CDR bandwidth. The SJ frequency should be asynchronous to the characteristic frequency of the signal.

Next, additional high probability jitter as specified in [D.11.2](#) should be added by the ISI generator until at least 80% of the J2 has been created. The Sine Interferer amplitude should then be turned on and adjusted until the required level of J2 is achieved. The frequency of any Sine interferer should be asynchronous to the characteristic frequency of the signal.

A compliant test signal exhibits data dependent pulse width shrinkage as specified in [Table 14](#). Data dependent pulse width shrinkage is defined in [D.3](#). This is measured with noise and clock-jitter sources turned off.

Once the required level of J2 has been achieved turn on the crosstalk source that should be set such that at the output of the Host Compliance Board the amplitude and the rise and fall times should be as given in [Table 14](#). The crosstalk pattern should be PRBS31 or valid 64B/66B signal and should be asynchronous with the data. Then the RI (random interference) should be added until the required value of TJ is achieved at a probability of 1×10^{-12} .

If necessary the sine interferer should be readjusted to obtain the required level of J2 and if the sine interferer is changed then the random interferer should be readjusted to obtain the required level of TJ. Iterative adjustments of the sine interferer and random interferer should be made until the required values of both J2 and TJ are achieved.

If necessary, the vertical eye opening should be readjusted to required levels.

It should be verified that the vertical eye opening and peak level specification is met.

Care must be taken when characterizing the signal used to make receiver tolerance measurements. The intrinsic noise and jitter introduced by the calibration measurement equipment (e.g. filters, oscilloscope and BERT) must be accounted for and controlled. If equipment imperfections affect the results materially, corrections such as RSS deconvolution of Gaussian noise and jitter should be used.

D.11.5 TEST PROCEDURE

Testing should be performed differentially through a Host Compliance Board (see [C.2](#)).

Using a test signal calibrated conforming to [D.11.1](#) and calibrated as per [D.11.4](#), operate the system with an appropriate compliance test pattern for the relevant application (10G Ethernet, 10GFC, or 10G Ethernet with FEC).

All signals and reference clocks that operate during normal operation shall be active during the test including the other host signal path in the duplex pair. The other signal path shall be asynchronous.

The opposing direction bit stream (than the one being tested) shall be asynchronous PRBS31 or valid 64B/66B signal.

The sinusoidal jitter is stepped across frequency and amplitude range according to [Figure 21](#) while monitoring the BER. The BER shall remain $< 1 \times 10^{-12}$.

D.12 LIMITING MODULE RECEIVER COMPLIANCE TESTS

Compliance to the specifications at [C' Table 18](#) and [Table 19](#) must be met over the range of input optical signals specified by standards supported e.g. IEEE 802.3 Clause 52 and calibration procedure defined in Clause 52.9.9.

This test includes the effects of crosstalk within the module and within the Module Compliance Board. The module transmit path is operational. The transmit path input of the Module Compliance Board is connected to a pattern generator and calibrated through a Host Compliance Board. The amplitude

and rise/fall times are given in [Table 18](#). Testing for compliance at point C' is done through a Module Compliance Board.

The pattern for the crosstalk source is PRBS31 or a valid 64B/66B sequence. The crosstalk source is asynchronous to the TP3 test source.

The minimum test conditions (vertical eye closure penalty, VECP[*min*] and stressed eye jitter, *J*(*min*) for stressed receiver sensitivity defined in IEEE 802.3 clause 52 were chosen as sufficient to ensure compliant receivers. Consequently, test conditions more severe than the minimum requirements represent an overstress condition for which compensation is appropriate.

Compensation for overly stressful VECP is straightforward; the stressed receiver sensitivity (SRS) maximum can be adjusted one-for-one for any VECP overstress (or a small amount of under-stress).

$$\text{SRS}[\text{compensated, dBm}] = \text{SRS}[\text{max, dBm}] + \text{dVECP}[\text{overstress, dBo}],$$

$$\text{where dVECP}[\text{overstress}] = \text{VECP}[\text{measured, dBo}] - \text{VECP}[\text{min, dBo}].$$

Compensation for overly stressful jitter is less straightforward since definition permits compositions over a trade-off range of deterministic and random jitter. Further, there is no generally accepted practice for compensating deterministic jitter and the only recourse is re-calibrating the test source. Fortunately, most cases of overly stressful jitter are expected to be due to excessive random jitter.

Where the jitter composition is known or can be measured, any excess random jitter can be backed out of the measured result, or specifications in [Table 19](#), Total Jitter and Eye Mask X1 coordinate, can be adjusted to accommodate the excess input signal.

D.13 TEST METHOD FOR A HOST RECEIVER WITH A LINEAR MODULE

A compliance setup for a host for use with a linear module receiver is shown in [Figure 52](#). The host input at point C is tested for BER compliance with test signals that represent the worst case waveshape and noise properties expected from the output of a module during compliant operation.

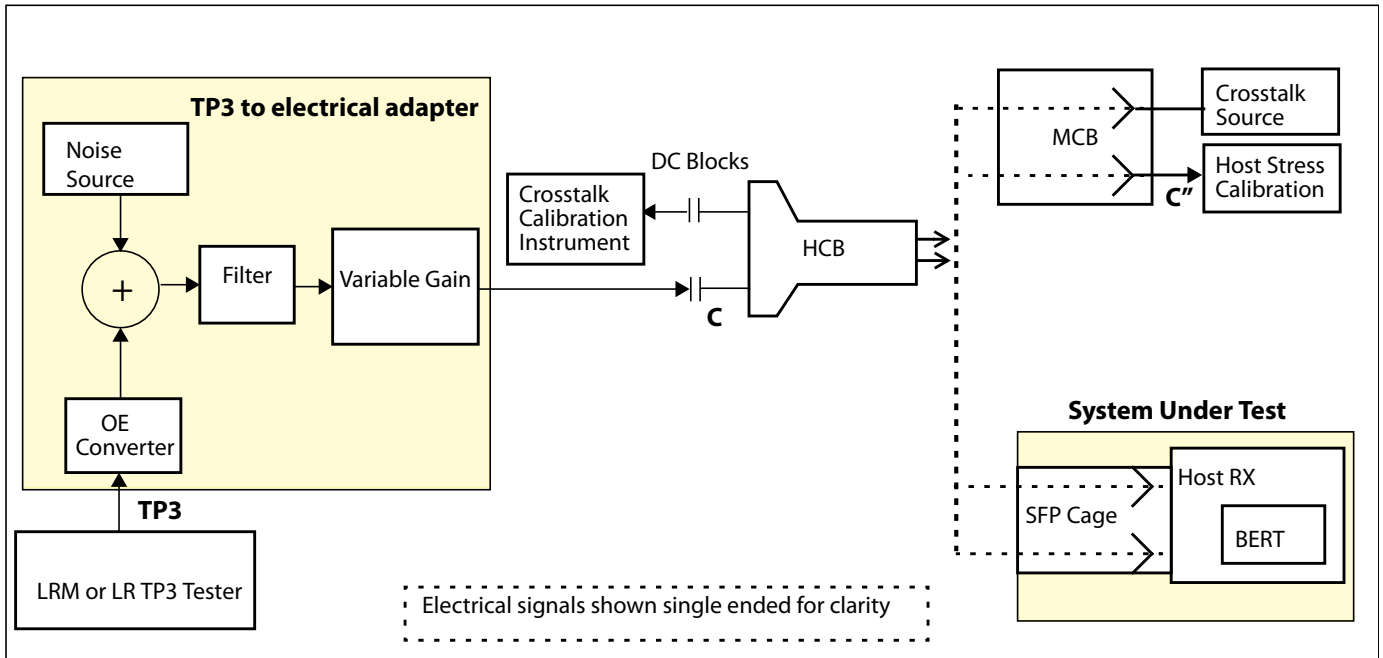


Figure 52 TP3 to electrical adaptor for host that operates with linear modules

D.13.1 TEST DESCRIPTION AND PROCEDURE FOR HOST RECEIVER FOR LINEAR MODULE

Compliance shall be achieved for each of the three TP3 pulse shapes defined for 10GBASE-LRM in IEEE 802.3 Clause 68.6.9 and for the one 10GBASE-LR stressed receiver conformance test signal defined in IEEE Std 802.3 Clause 52.9.9. Compliance shall be achieved over the range of VMA in [Table 15](#). The TP3 tester block is the same test system as defined by the LRM or LR standard for testing the TP3 compliance point. LRM and LR are chosen because this combination of tests includes both high distortion with low noise, and low distortion with high noise. Testing with an SR equivalent input is not required as the noise and distortion are between those for LR and LRM.

The TP3 to electrical adaptor as shown in [Figure 52](#) converts the TP3 test signal(s) into electrical signal(s) with output VMA, noise (RN) and distortion (WDP) properties defined in [Table 15](#).

The specifications given in [Table 15](#) are as measured during calibration at C'' through the Module Compliance Board.

The noise source, in conjunction with the other blocks, is intended to represent the additive noise properties of a worst-case linear module. The magnitude of the noise is calibrated such that the RN values at C'' are consistent with [Table 15](#). The spectrum of the noise source at the summing point is white with a 3 dB frequency of at least 10 GHz. The noise measured at C'' represents the

noise of the module and the optical signal combined. The noise source crest factor should be at least 6.

The filter and gain blocks are intended to represent the deterministic dWDP and gain properties of a worst-case linear module. For the low WDP cases in [Table 15](#), including LR, the filter has a bandwidth of 7.5 GHz. For the high WDP cases in [Table 15](#), the frequency response of the filter is set such that the WDP value specified in [Table 15](#) at C" for the split-symmetrical LRM stressor is achieved. This bandwidth is expected to be approximately 4.5 GHz. In all cases, the overall response of the adapter has a Bessel Thomson response.

The gain block and/or the input optical power level can be used to adjust VMA.

During calibration and host compliance testing, crosstalk source see [Figure 52](#) shall be an asynchronous PRBS31 or 64B/66B signal.

Care must be taken to not induce greater than 0.02 UI of DCD at C"

A balun or other means provides a differential signal.

The test signal output shall be AC coupled. An AC coupling 3 dB corner frequency of 20 kHz is expected to be adequate to eliminate baseline wander effects, however high frequency performance is critical and must not be sacrificed by the AC coupling.

The output return loss properties of the test system when measured with Module Compliance Board shall be at least 2 dB better than the specifications of [Table 18](#) up to 8GHz and 1 dB better up to 11GHz.

Any implementation of the measurement configuration may be used, provided that the resulting signal and noise match those defined in [Table 15](#).

Under all specified test conditions, a BER of better than 1×10^{-12} shall be achieved. The transmitter of the port under test and all other ports operate in normal operation, including termination. The transmitter of the port being tested is terminated through the Host Compliance Board with a DC block and 50Ω at each Tx SMA connector.

D.13.2 HOST LINEAR TESTER CALIBRATION

The output of the Host Compliance Board is plugged through the Module Compliance Board into laboratory equipment for calibration.

Calibration should be done with all tester elements in place, although some components may be shut down, such as jitter and noise, while other elements are being calibrated - see below. After calibration is completed, all components are set to their calibrated levels for testing.

RN of the host test system is adjusted via the magnitude of the adapter’s noise source. Calibration should use the RN measurement methods given in section [D.8](#). RN values are given in [Table 15](#) for each test condition. The crosstalk source must be calibrated to the requirements in [Table 13](#) and running during calibration of RN. After calibration and during host compliance testing, the crosstalk calibration instrument can be removed and replaced with 50 Ohm terminations, although DC blocking must be maintained.

WDP of the host test system is set via the filter in the adapter. If the calibration is off by a small amount, the ISI generator in the TP3 tester can be adjusted to obtain the required values.

Although WDP is a characteristic of an electrical signal in this case, its units are in dBo to better align with WDPo out of a linear optical module, which is also given in dBo.

After calibration, the Host Compliance Board is plugged into the host receiver under test for compliance testing.

D.14 LINEAR MODULE RECEIVER COMPLIANCE TESTS

Linear module receiver compliance tests ensure that noise generation, waveform filtering and other distortion due to the module are kept within acceptable bounds when tested with the optical input signals as specified in the standards supported by the module, e.g. IEEE 802.3 CL 52 and/or CL 68.

D.14.1 LINEAR MODULE RECEIVER NOISE COMPLIANCE TEST

The module receiver can be tested for noise compliance by measuring how much noise it passes and adds to an input test signal. [Figure 53](#) is a block diagram of a test system that defines the module receiver noise test.

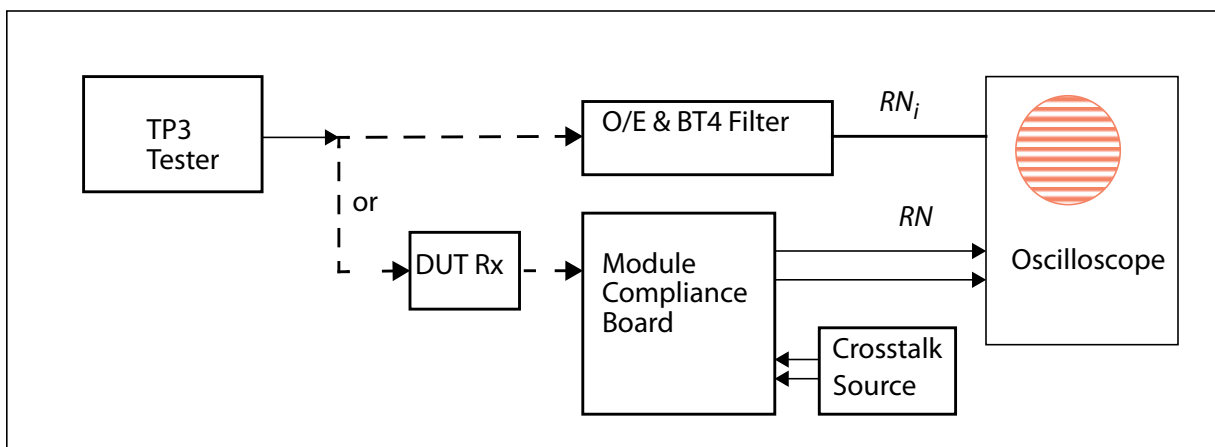


Figure 53 Linear Module Receiver Noise Test

This test includes the effects of crosstalk within the module and the Module Compliance Board. The transmit path input of the Module Compliance Board is connected to a crosstalk source and calibrated through a Host Compliance Board. The crosstalk amplitude and rise/fall times are set to the values given in [Table 18](#). The pattern for the crosstalk source is PRBS31 or a valid 64B/66B signal. The crosstalk source is asynchronous to the TP3 test source. After calibration, the Host Compliance Board is replaced with the module under test. The module transmit path is operational during compliance testing.

The TP3 tester should be set to the OMA/VMA pattern for this test as defined in [D.7](#).

The waveform shaping stress of the TP3 tester is enabled. The sinusoidal jitter and/or sinusoidal interference of the TP3 tester should be disabled or set to very low magnitudes for this test.

RN_i of the TP3 tester is set to the level specified by the [Table 31](#).

The TP3 tester is connected into the module under test. The module is plugged into the Module Compliance Board, which in turn is connected to the oscilloscope. The relative noise of the module output signal, RN , is then measured. The relative noise measurement method is described in [D.8](#).

Relative noise of the TP3 test signal RN_i is characterized through a reference O/E converter and 4th-order Bessel Thomson filter and a digital oscilloscope. If the noise of the TP3 test source does not match the target value in [Table 31](#), RN can be corrected using the following equation:

$$RN = \sqrt{(RN_{measured})^2 - 1.24 \times RN_i(target) \times (RN_i - RN_i(target))}$$

where $RN_{measured}$ includes the effect of actual TP3 tester noise at the module output, RN_i is the actual TP3 tester noise, and $RN_i(target)$ is the target test noise given in [Table 31](#) for the test conditions. The resulting noise result is to be compared against the compliance limit specified in [Table 20](#). Compliance must be met over the range of optical power specified by the standards supported by the module.

Table 31 Target RN_i Values

| <i>Application</i> | <i>RN_i (target)</i> |
|-----------------------|-----------------------------------|
| LRM pre-cursor | 0.0219 |
| LRM split-symmetrical | 0.0269 |
| LRM post-cursor | 0.0213 |
| LR | 0.014 |
| SR | 0.020 |

For LRM, RN_i should be within 1 dBo of the appropriate value given in [Table 31](#). For LR and SR, RN_i should be no more than 1 dBo greater than the appropriate value in [Table 31](#); any lower value is allowable.

This procedure is described for an oscilloscope as the measuring instrument. However, noise generated by a practical scope can affect the result. The noise due to the scope is calibrated out of the result by subtracting the square of the scope's noise from the noise of the RN measurement as appropriate, so as to obtain the relative noise associated with the signal under test. For electrical scope noise measurement, the scope inputs are terminated with 50 Ω termination. For optical scope noise measurement, the scope input should have zero light.

D.14.2 LINEAR MODULE RECEIVER DISTORTION PENALTY COMPLIANCE TEST

This section defines dWDP, a measure of waveform filtering and other distortion associated with the linear optical receiver. The block diagram dWDP test system that defines linear module receiver distortion test is shown in [Figure 54](#).

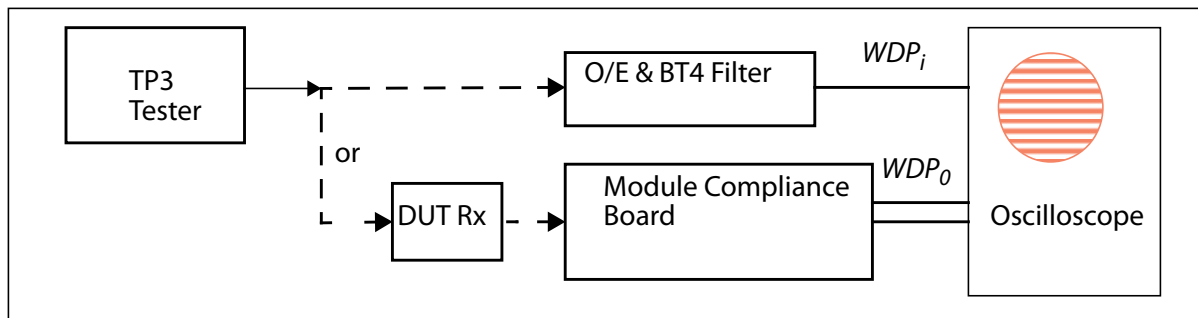


Figure 54 Module receiver waveform penalty compliance test

- WDP_i and WDP_o in [Figure 54](#) are measured using the WDP method defined in [D.9](#). WDP_i of the TP3 test signal is first characterized through an O/E converter and 4th-order Bessel Thomson filter and a digital oscilloscope. For 10GBASE-LRM, this signal should represent the waveforms described in IEEE Std. 802.3 CL 68.6.9, and for 10GBASE-LR, this signal represents the waveform described in IEEE Std. 802.3 CL 52.9.9.
- The TP3 tester is removed from the O/E converter and connected into the module under test. The module in turn is plugged into a Module Compliance Board which in turn is connected to the oscilloscope. WDP_o of the module output signal is then measured.

Although WDP_o is based upon measurements of an electrical signal, its units for a linear optical module output are in dBo to allow a direct comparison with the optical input signal in the equation for $dWDP$ below.

The distortion contributed by the module is determined by the following equation:

$$dWDP = WDP_o - WDP_i$$

$dWDP$ is to be compared against the compliance limit specified in [Table 20](#). Each $dWDP$ must comply for each specified TP3 condition. The TP3 tester is the same test system as defined by the relevant standard for testing the TP3 compliance point.

D.14.3 LINEAR MODULE RECEIVER OUTPUT DIFFERENTIAL PEAK-PEAK VOLTAGE

A compliant TP3 stress receiver tester for the relevant application (SR, LR, or LRM) is connected to the module receiver input. The OMA test pattern for the application should be used, and all stress impairments such as sine jitter, sine interference, ISI, and noise should be turned off. The rise/fall time should be 47 ps 20-80%. When observed through a 7.5 GHz reference O/E converter, the input waveform should have no overshoot or ripple.

The output of the module is measured with a Module Compliance Board connected into an oscilloscope. The measurement bandwidth is 12 GHz. A wider measurement bandwidth is expected to have only a minor effect on the result. If the measurement bandwidth affects the results, it can be corrected for by post processing. Averaging is used to eliminate noise from the measurement. The peak to peak swing of the differential signal is measured and compared against the limit in [Table 20](#).

D.15 AC COMMON MODE VOLTAGE

The SFI transmitter and channel limit but do not eliminate AC common mode voltage generation. SFI receivers, both module and host, must operate fully with the maximum allowed input common mode voltage. Common mode voltage often gets generated due to the crossing points of the driver outputs (P and N) being shifted from 50%, impedance mismatch, mismatch of the PCB traces, or mode conversion.

D.15.1 DEFINITION OF AC COMMON MODE VOLTAGE

The common mode voltage at any time is the average of signal+ and signal- at that time. The RMS AC common mode voltage is calculated by applying the histogram function over one UI to the common mode signal. As AC common mode generation is very sensitive to the cable or scope delay mismatch, it is recommended to delay match the scope inputs for any measurements.

D.15.2 AC COMMON MODE GENERATION TEST

The test pattern for AC common mode generation is either pattern 1 (BnBi) or pattern 3 (PRBS31) as defined in IEEE CL 52.9.1.1. It is expected that any 64B/66B scrambled signal should give a similar result.

D.15.3 AC COMMON MODE TOLERANCE TEST

The test pattern for AC common mode tolerance is either pattern 1 (BnBi) or pattern 3 (PRBS31) as defined in IEEE CL 52.9.1.1. It is expected that any 64B/66B coded signal should give a similar result.

If the transmitter output does not generate a sufficient amount of AC common mode then the method to generate additional amounts is by adjusting the P and N delay until the right amounts is generated.

D.16 TERMINATION MISMATCH

Termination mismatch is defined as the percent difference between the complimentary Z_p and Z_n resistors as shown in [Figure 18](#). Termination mismatch is defined as:

$$\Delta Z_M = 2 \times \frac{Z_p - Z_n}{Z_p + Z_n} \times 100$$

Alternatively, the termination mismatch can be measured by applying a low frequency test tone to the differential inputs as shown in [Figure 55](#). The test frequency must be high enough to overcome the high pass effects of the AC

coupling capacitor. The measured differential output or input impedance is designated by Z_{diff} .

Low frequency termination mismatch is then given by:

$$\Delta Z_M = 2 \times \frac{I_p - I_n}{I_p + I_n} \cdot \frac{Z_{diff} + 100}{Z_{diff}} \cdot 100$$

where I_p and I_n are the current flowing into the SFI port as shown in [Figure 55](#). Z_s is the effective series impedance between the driver terminations Z_p and Z_n and the AC Ground.

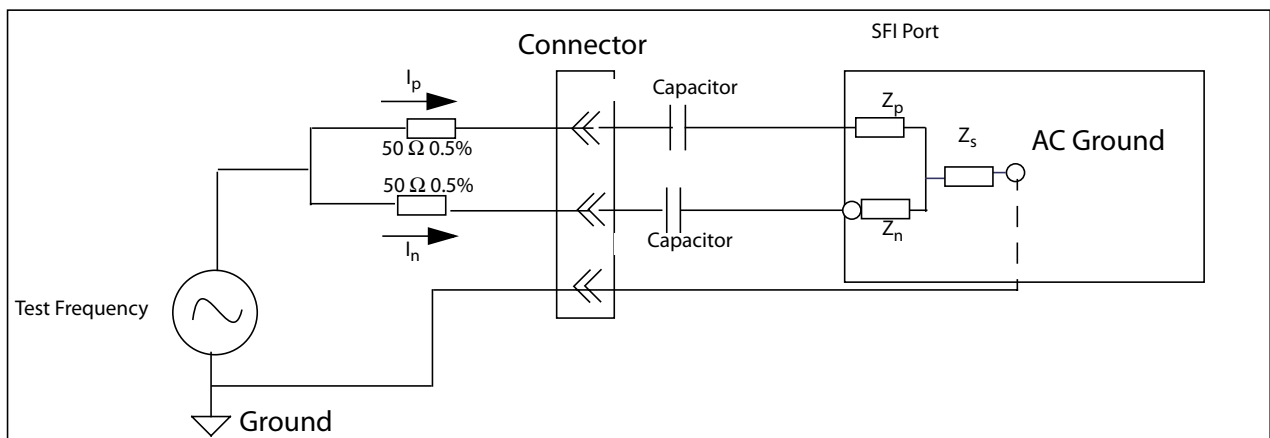


Figure 55 AC Termination Mismatch Measurement

D.17 POWER SUPPLY TESTING METHODOLOGY

This section defines power supply noise output as given in [2.8.2](#) and [2.8.3](#), and power supply noise tolerance as in [2.8.4](#).

The reference power supply filter shown in [Figure 56](#) is provided for module testing, including power supply tolerance testing. This filter will meet the noise filtering requirements in most host systems. Other filtering implementations or local regulation may be used to meet the power noise output requirements described in [2.8.2](#) and [2.8.3](#).

For each V_{cc} , the sum of the equivalent series resistances of the 4.7uH inductor, the 22uF capacitor and the damping resistor is 0.5 Ω. This resistance is desirable in actual host filters as well as in the reference filter; however, any voltage drop across a filter network on the host is counted against the host V_{ccT} and V_{ccR} accuracy specification in [Table 8](#).

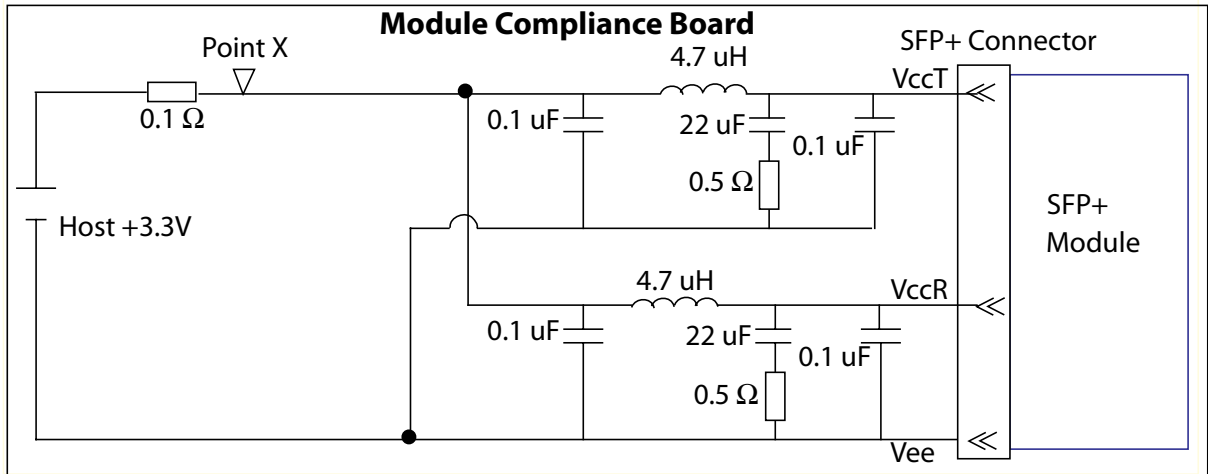


Figure 56 Module Compliance Board Power Supply Filters

D.17.1 HOST POWER SUPPLY NOISE OUTPUT

The noise output of a Vcc supply of a host is defined with a resistive load that draws the maximum rated power (1 W or 1.5 W) connected between one Vcc contact and Vee, in place of the SFP+ module. When the noise on VccT is being measured, VccR is left open circuit, and vice versa. 8 Ω is used for a host capable of supporting Power Level II, and 12 Ω otherwise. The AC voltage spectrum is measured at the module side of the SFP+ connector. The noise power spectrum is divided by the truncated response of the reference filter and then integrated from 10 Hz to 10 MHz and converted to a voltage. This function is illustrated in the equation below and [Figure 57](#). The specification limit is given in [2.8.2](#). The test is performed with all other portions of the host board/system active. Hosts with multiple SFP+ modules shall test ports one at a time, with active SFP+ in all the remaining ports.

$$H(f) = a \times (\log_{10}(f))^4 + b \times (\log_{10}(f))^3 + c \times (\log_{10}(f))^2 + d \times (\log_{10}(f)) + e$$

The reference filter response $H(f)$ shown in [Figure 57](#) and the coefficients a, b, c, d, and e for the 5 frequency bands are defined in [Table 32](#).

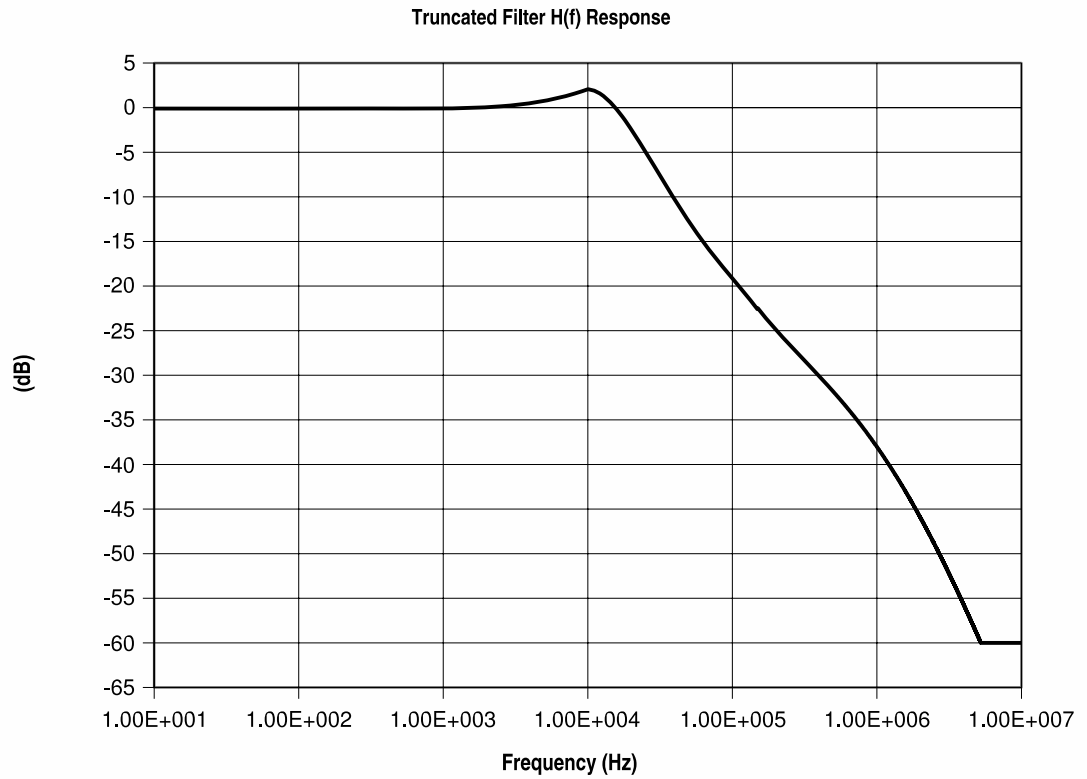


Figure 57 Reference filter response

Table 32 Truncated Filter Response Coefficients

| <i>Frequency (f)</i> | <i>a</i> | <i>b</i> | <i>c</i> | <i>d</i> | <i>e</i> |
|-------------------------|-----------|----------|-----------|----------|-----------|
| 10 Hz ≤ f < 100 Hz | 0 | 0 | 0 | 0 | -0.1 |
| 100 Hz ≤ f < 10 kHz | 0.3784 | -3.6045 | 12.694 | -19.556 | 11.002 |
| 10 kHz ≤ f < 150 kHz | -22.67038 | 430.392 | -3053.779 | 9574.26 | -11175.98 |
| 150 kHz ≤ f ≤ 5.243 MHz | 3.692166 | 91.467 | 838.80 | -3400.38 | 5139.285 |
| 5.243 MHz ≤ f ≤ 10 MHz | 0 | 0 | 0 | 0 | -60 |

NOTES - As a lightly loaded power supply might generate more noise than a fully loaded supply, the host implementer may wish to assess the host power supply noise output at less than maximum current draw also. Because a small measured noise signal at high frequencies is multiplied up to give the inferred noise at virtual point X, care should be taken over the noise floor of the spec-

trum analyzer. Other measurement methods could be used, e.g. a measurement at a point inside the host, with appropriate consideration to any difference between the reference filter and a host's actual filter.

D.17.2 SFP+ MODULE POWER SUPPLY NOISE OUTPUT

The module noise voltage output is defined in the frequency band 10 Hz to 10 MHz at point X in [Figure 56](#).

The module must pass module power supply noise output test in all operating modes. This test ensures the module will not couple excessive noise from inside the module back onto the host board. A power meter technique, or a spectrum analyzer technique with integration of the spectrum, may be used. The maximum allowed noise amplitude is given in [2.8.3](#).

D.17.3 MODULE POWER SUPPLY TOLERANCE TESTING

In this test, a swept sinusoidal tone is applied at point X of [Figure 58](#) with the tolerance signal amplitude and frequency range given in [2.8.4](#). The AC tolerance signal is created by a circuit such as a low impedance buffer amplifier between the power supply and point X. The impedance of the PSU and sine wave generator is less than 0.5 Ω . The amplitude of the sine wave is calibrated at each frequency at point X with the module replaced with a 12 Ω load between Vcc and Vee.

NOTES -- It may be desirable to remove the 0.1 μ F capacitors on the host side of the reference filters for this test, to reduce the power needed by the sine wave generator. The calibration of the sine wave is not expected to be significantly different if the module were in place rather than the test resistor.

Alternatively, the test may be performed separately for VccT and VccR with the other supply filter connected directly to the power supply. It is not necessary to show compliance with both separate and common Vcc modulation.

This test applies at minimum and maximum DC setpoint levels. Note that the DC level is inset to the limits in [Table 5](#) by the peak of the sinusoidal voltage at the input to the module (which is frequency dependent).

The source frequency is varied over the range specified by [2.8.4](#) to determine if any frequency causes a parameter to fall out of the specification limit. In all cases, the parameters measured shall pass the optical standards with the tone present over all frequencies specified. Parameters of interest for the transmit may include UJ, Q_{sq} and TDP see [IEEE 802.3]. For the receive side, they include stressed sensitivity, overload, RN and Rx_LOS function.

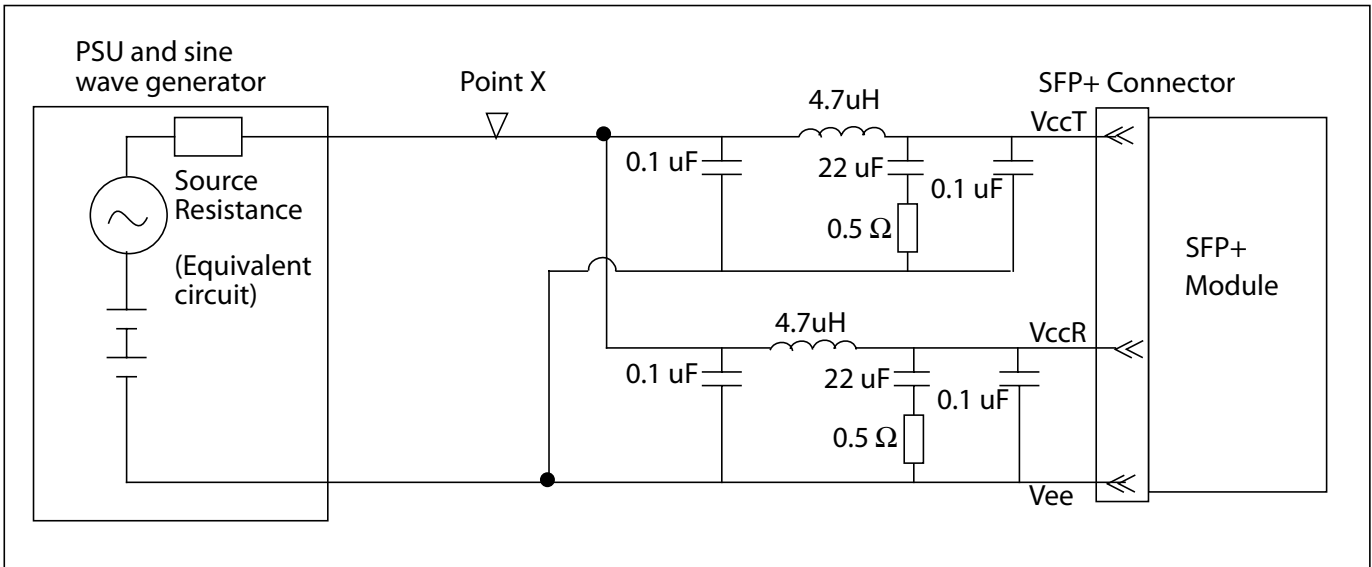


Figure 58 Power Supply Noise Tolerance Test Setup

The AC voltage at node X is defined with reference to Vee. The DC voltage specification including ripple, droop and noise below 100 kHz is met at both VccT and VccR (at the SFP+ connector).

APPENDIX E SFP+ DIRECT ATTACH CABLE SPECIFICATIONS “10GSFP+Cu” (OPTIONAL)

A passive copper cable compliant to this appendix is identified using the 2-wire management defined in chapter 4 and memory map of SFF-8472.

This appendix describes additional requirements or exceptions to the linear host specification of [Chapter 3](#) to implement passive direct attach SFP+ cable assemblies.

The compliance points for SFP+ Direct Attach Cable (10GSFP+Cu) are the same as host compliance test points [3.3.1](#) and the module compliance test points in [3.3.2](#).

All SFI test equipment must have 50 Ohms single ended impedance on all test ports.

Each Tx_Disable contacts of 10GSFP+Cu passive cable assemblies shall be pulled to VccT with a 4.7 kΩ to 10 kΩ in the module. The Rx_LOS contacts in the module shall be pulled low in the module for 10GSFP+Cu passive cable assemblies. Direct connection of Rx_LOS to VeeR is allowed.

Active cable assemblies must operate with existing linear or limiting specifications of [Chapter 3](#).

This specification does not assume additional transmit pre-emphasis beyond the level required to meet the jitter specifications at point B (see [Table 12](#)) and TWDPc specification (see [Table 33](#)) at point B. Increasing the transmit pre-emphasis may increase cable reach, however it may increase transmitter DDJ and is outside the scope of this specification.

Warning: 10GSFP+Cu can only be used on systems with common grounds. Connecting systems with different ground potential with SFP+ direct attach cable results in a short and may cause damage.

E.1 10GSFP+Cu DIRECT ATTACH CONSTRUCTION

10GSFP+Cu cable assemblies are effectively constructed out of a pair of SFP+ modules with the OE components replaced with copper cabling as shown in [Figure 59](#). SFP+ Edge card connector contacts are defined in [Table 3](#). The cable assembly shall incorporate DC blocking capacitors with at least 4.3 V rating on the RX side and with high pass pole of between 20 kHz and 100 kHz. The drain wire is connected to VeeT and to VeeR. The cable shield directly connects the module A and B cases.

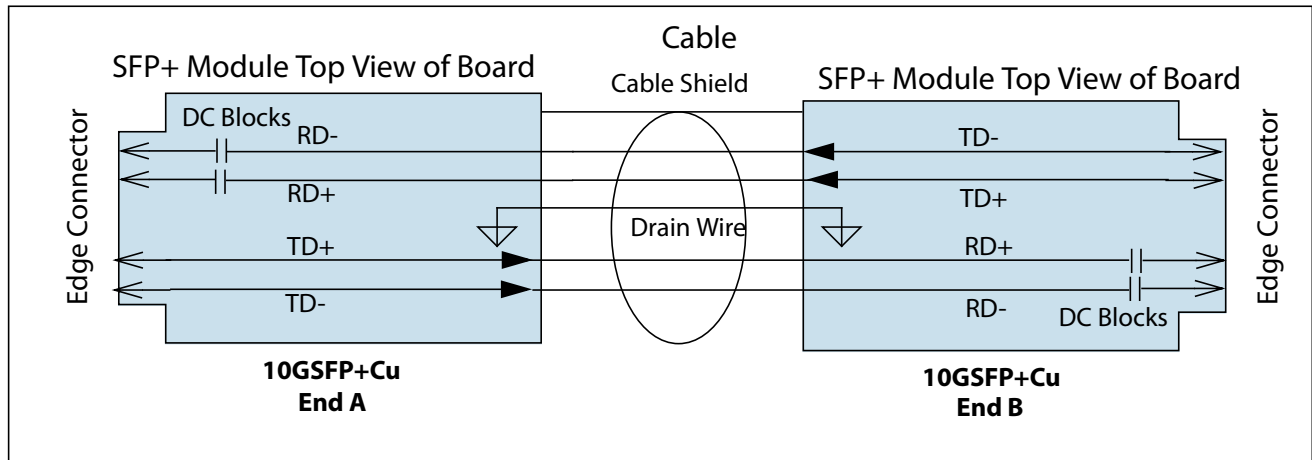


Figure 59 10GSFP+Cu Direct Attach Block Diagram

E.2 SFP+ HOST OUTPUT SPECIFICATIONS FOR PASSIVE DIRECT ATTACH CABLES

SFP+ host supporting direct attach cables must meet transmitter output specifications in Table 11 and jitter specifications in Table 12 at reference point B. In addition SFP+ host transmitter must meet the specifications in Table 33.

Table 33 SFP+ Host Transmitter Output Specifications at B for Cu

| Parameters- B | Symbol | Conditions | Min | Target | Max | Units |
|------------------------------------|----------|------------|------|--------|------|----------|
| Voltage Modulation Amplitude (p-p) | VMA | See D.7 | 300 | | | mV |
| Transmitter Q_{sq} | Q_{sq} | See 1 | 63.1 | | | |
| Output AC Common Mode Voltage | | See D.15 | | | 12.0 | mV (RMS) |
| Host Output TWDPc | TWDPc | See 2, 3 | | | 10.7 | dBe |

1. $Q_{sq} = 1/RN$ if the one level and zero level noises are identical and see D.8.
 2. Host electrical output measured with LRM 14 taps FFE and 5 taps DFE Equalizer with PRBS9 for copper direct attach stressor, see Appendix G.
 3. The stressor for TWDPc is given in Table 34 and is included in the code in Appendix G.

TWDPc is the host transmitter penalty for copper cable stressor shown in Figure 60 and given in Table 34. Code to calculate TWDPc using this stressor is given in Appendix G.

E.2.1 TRANSMITTER STRESSOR

For TWDPc compliance, a simulated cable response is required. The response is modeled as a set of delta functions with specific amplitudes and delays. The

copper stressor was created from measurements of commonly available direct attach SFP+ cables with the transmitter response de-convolved. The stressor is shown in [Figure 60](#) and the values are listed in [Table 34](#). The sum of all stressor components is normalized to an approximate value of 1.

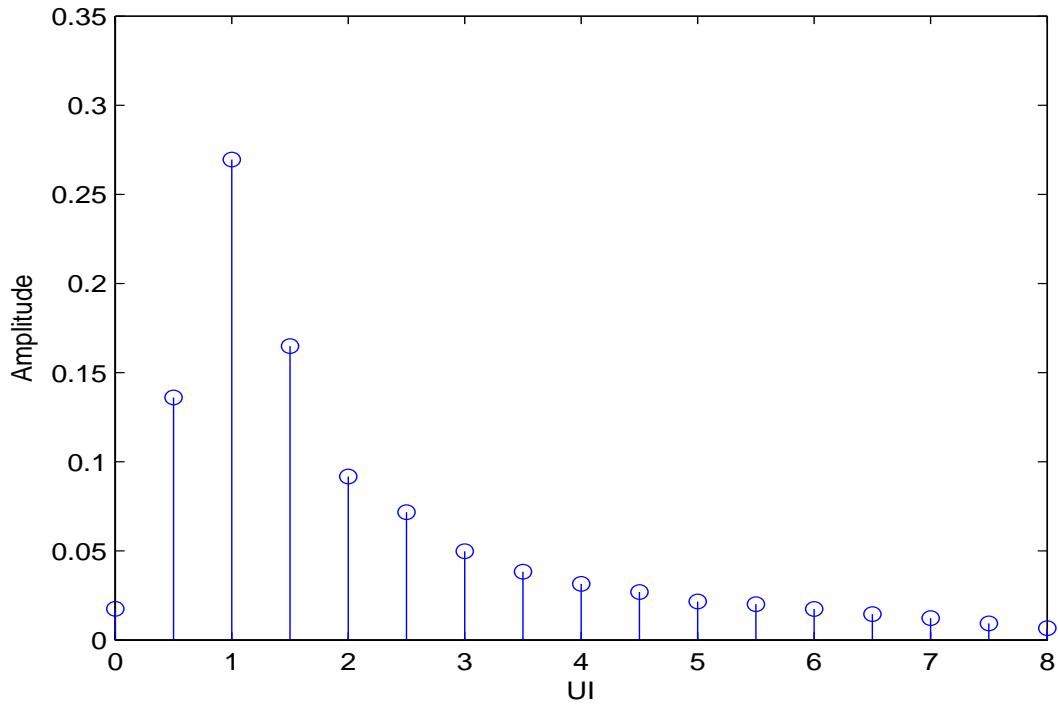


Figure 60 10GSFP+Cu TWDPc Stressor Impulse Response

Table 34 10GSFP+Cu TWDPc Stressor

| <i>Delay (UI)</i> | <i>Delay (ns)</i> | <i>Amplitude</i> | <i>Delay (UI)</i> | <i>Delay (ns)</i> | <i>Amplitude</i> |
|-------------------|-------------------|------------------|-------------------|-------------------|------------------|
| 0 | 0 | 0.0175 | 4.5 | 0.43637 | 0.0270 |
| 0.5 | 0.04849 | 0.1360 | 5.0 | 0.48485 | 0.0216 |
| 1 | 0.09697 | 0.2695 | 5.5 | 0.53334 | 0.0202 |
| 1.5 | 0.14546 | 0.1649 | 6.0 | 0.58182 | 0.0174 |
| 2 | 0.19394 | 0.0917 | 6.5 | 0.63031 | 0.0146 |
| 2.5 | 0.24243 | 0.0717 | 7.0 | 0.67879 | 0.0123 |
| 3.0 | 0.29091 | 0.0498 | 7.5 | 0.72728 | 0.0094 |
| 3.5 | 0.33940 | 0.0383 | 8.0 | 0.77576 | 0.0066 |
| 4.0 | 0.38788 | 0.0315 | | | |

E.3 SFP+ HOST RECEIVER SUPPORTING 10GSFP+CU INPUT COMPLIANCE TEST SIGNAL CALIBRATED AT C"

A host that is to support the direct attach copper option is to meet the required 1×10^{-12} BER when tested with the stressed signal described in Section E.3.1 in addition to the requirements of section 3.5.2 relating to a host receiver supporting linear module.

E.3.1 COPPER HOST RECEIVER SPECIFICATIONS

The SFP+ host receiver stress generator is described by a set of tapped delay lines described in E.3.2, a suitable length of copper cable is expected to generate the stressor described here. The stress generator must meet the target WDPc (Waveform Distortion Penalty for copper) as given in Table 35. The stressor generator shall implement the noise model as captured in Figure 61 using the parameters given in Table 35. The noise model contains two noise sources: Q_{sq} noise which is relative to the transmitter signal level and shaped by the channel response and N_o fixed noise (modeling cable NEXT) added post channel. The added noise sources Q_{sq} and N_o are white and Gaussian in this test.

The sensitivity test shall be made with the minimum VMA and the overload test shall be made with the maximum p-p voltage as given in Table 35.

Table 35 10GSFP+ Host receiver input stress Generator at C"

| <i>Parameters- C"</i> | <i>Symbol</i> | <i>Conditions</i> | <i>Min</i> | <i>Target</i> | <i>Max</i> | <i>Units</i> |
|--|---------------|-------------------|------------|---------------|------------|--------------|
| Waveform Distortion Penalty of the ISI Generator | WDPc | See 1, 2 | | 9.3 | | dBc |
| Transmitter Q_{sq} | Q_{sq} | See 4, 5 | | 63.1 | | |
| Post channel fixed noise source | N_o | See 3 | | 2.14 | | mV (RMS) |
| Differential Voltage Modulation Amplitude | VMA | See 4, D.7 | | 180 | | mV |
| Differential Peak-Peak Voltage Overload | | | | 700 | | mV |
| Input AC Common Mode Voltage | | See 6, D.15.2 | | | 13.5 | mV(RMS) |

1. Copper stressor as defined in Table 36. WDPc is measured with reference receiver with 14 FFE taps and with 5 DFE taps, see Appendix G.
 2. WDPc for the stress is smaller than the transmitter TWDPc due to the VMA loss in the host stressor.
 3. N_o is the RMS voltage measured over one symbol period at the output of the MCB in a 12 GHz bandwidth. The source for Q_{sq} should be disabled during this calibration.
 4. Square pattern with eight ONES and eight ZEROS.
 5. $Q_{sq} = 1/RN$ if the one level and zero level noises are identical and see D.8. Q_{sq} is calibrated at the output of the MCB in a 12 GHz bandwidth with the ISI of the channel model in Figure 61 disabled. The source for N_o should be disabled during this calibration.
 6. AC common mode target value is achieved by adjusting relative delay of the P and N signals.

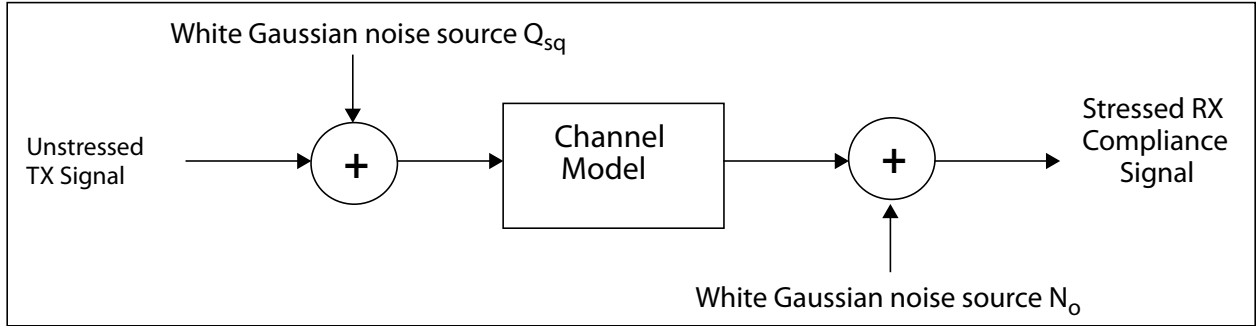


Figure 61 Block Diagram of Copper Stressor Noise Model

E.3.2 COPPER HOST STRESS GENERATOR 1 UI PULSE RESPONSE

Copper host stressor was created from measurements of commonly available direct attach SFP+ cables. The response of the copper host stress generator 1 UI pulse response is shown in [Figure 62](#) and the pulse response values are listed in [Table 36](#).

A suitable length of copper cable is an acceptable substitute to the stressor of [Table 36](#) provided it has the same WDPC. The RMS fit between the tabulated pulse response in [Table 36](#) and the measured isolated pulse response should be minimized to get the target WDPC values as listed in [Table 35](#).

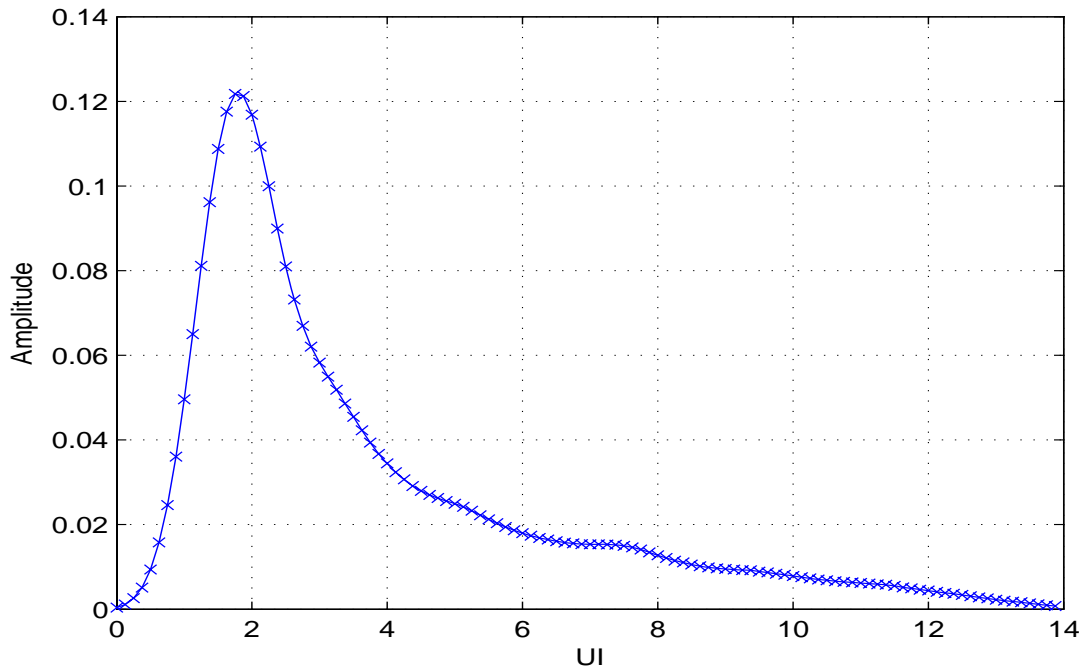


Figure 62 Stress Generator 1UI Pulse Response with 8x over-sampling

Table 36 Stress Generator 1 UI Pulse Response with 8x Over-sampling

| <i>Delay (UI)</i> | <i>Delay (ns)</i> | <i>Amplitude</i> | <i>Delay (UI)</i> | <i>Delay (ns)</i> | <i>Amplitude</i> | <i>Delay (UI)</i> | <i>Delay (ns)</i> | <i>Amplitude</i> |
|-------------------|-------------------|------------------|-------------------|-------------------|------------------|-------------------|-------------------|------------------|
| 0 | 0.0000 | 0.0004 | 4.625 | 0.4485 | 0.0270 | 9.25 | 0.8970 | 0.0093 |
| 0.125 | 0.0121 | 0.0011 | 4.75 | 0.4606 | 0.0263 | 9.375 | 0.9091 | 0.0092 |
| 0.25 | 0.0242 | 0.0026 | 4.875 | 0.4727 | 0.0256 | 9.5 | 0.9212 | 0.0089 |
| 0.375 | 0.0364 | 0.0051 | 5 | 0.4848 | 0.0249 | 9.625 | 0.9333 | 0.0087 |
| 0.5 | 0.0485 | 0.0094 | 5.125 | 0.4970 | 0.0242 | 9.75 | 0.9455 | 0.0084 |
| 0.625 | 0.0606 | 0.0158 | 5.25 | 0.5091 | 0.0233 | 9.875 | 0.9576 | 0.0082 |
| 0.75 | 0.0727 | 0.0246 | 5.375 | 0.5212 | 0.0222 | 10 | 0.9697 | 0.0079 |
| 0.875 | 0.0848 | 0.0360 | 5.5 | 0.5333 | 0.0212 | 10.125 | 0.9818 | 0.0076 |
| 1 | 0.0970 | 0.0496 | 5.625 | 0.5455 | 0.0204 | 10.25 | 0.9939 | 0.0073 |
| 1.125 | 0.1091 | 0.0650 | 5.75 | 0.5576 | 0.0194 | 10.375 | 1.0061 | 0.0070 |
| 1.25 | 0.1212 | 0.0811 | 5.875 | 0.5697 | 0.0187 | 10.5 | 1.0182 | 0.0068 |
| 1.375 | 0.1333 | 0.0962 | 6 | 0.5818 | 0.0180 | 10.625 | 1.0303 | 0.0066 |
| 1.5 | 0.1455 | 0.1088 | 6.125 | 0.5939 | 0.0174 | 10.7500 | 1.0424 | 0.0065 |
| 1.625 | 0.1576 | 0.1176 | 6.25 | 0.6061 | 0.0169 | 10.875 | 1.0545 | 0.0063 |
| 1.75 | 0.1697 | 0.1218 | 6.375 | 0.6182 | 0.0165 | 11.0000 | 1.0667 | 0.0062 |
| 1.875 | 0.1818 | 0.1213 | 6.5 | 0.6303 | 0.0161 | 11.125 | 1.0788 | 0.0061 |
| 2 | 0.1939 | 0.1169 | 6.625 | 0.6424 | 0.0157 | 11.2500 | 1.0909 | 0.0059 |
| 2.125 | 0.2061 | 0.1093 | 6.75 | 0.6545 | 0.0155 | 11.375 | 1.1030 | 0.0058 |
| 2.25 | 0.2182 | 0.1000 | 6.875 | 0.6667 | 0.0154 | 11.5000 | 1.1152 | 0.0055 |
| 2.375 | 0.2303 | 0.0899 | 7 | 0.6788 | 0.0153 | 11.625 | 1.1273 | 0.0052 |
| 2.5 | 0.2424 | 0.0810 | 7.125 | 0.6909 | 0.0153 | 11.7500 | 1.1394 | 0.0049 |
| 2.625 | 0.2545 | 0.0732 | 7.25 | 0.7030 | 0.0153 | 11.875 | 1.1515 | 0.0046 |
| 2.75 | 0.2667 | 0.0670 | 7.375 | 0.7152 | 0.0153 | 12.0000 | 1.1636 | 0.0044 |
| 2.875 | 0.2788 | 0.0620 | 7.5 | 0.7273 | 0.0150 | 12.125 | 1.1758 | 0.0041 |
| 3 | 0.2909 | 0.0583 | 7.625 | 0.7394 | 0.0146 | 12.2500 | 1.1879 | 0.0039 |
| 3.125 | 0.3030 | 0.0549 | 7.75 | 0.7515 | 0.0141 | 12.375 | 1.2000 | 0.0037 |
| 3.25 | 0.3152 | 0.0519 | 7.875 | 0.7636 | 0.0134 | 12.5000 | 1.2121 | 0.0034 |
| 3.375 | 0.3273 | 0.0486 | 8 | 0.7758 | 0.0128 | 12.625 | 1.2242 | 0.0030 |
| 3.5 | 0.3394 | 0.0455 | 8.125 | 0.7879 | 0.0121 | 12.7500 | 1.2364 | 0.0028 |
| 3.625 | 0.3515 | 0.0423 | 8.25 | 0.8000 | 0.0115 | 12.875 | 1.2485 | 0.0026 |
| 3.75 | 0.3636 | 0.0394 | 8.375 | 0.8121 | 0.0110 | 13.0000 | 1.2606 | 0.0022 |
| 3.875 | 0.3758 | 0.0367 | 8.5 | 0.8242 | 0.0106 | 13.125 | 1.2727 | 0.0020 |
| 4 | 0.3879 | 0.0345 | 8.625 | 0.8364 | 0.0101 | 13.2500 | 1.2848 | 0.0018 |
| 4.125 | 0.4000 | 0.0324 | 8.75 | 0.8485 | 0.0099 | 13.375 | 1.2970 | 0.0016 |
| 4.25 | 0.4121 | 0.0307 | 8.875 | 0.8606 | 0.0097 | 13.5000 | 1.3091 | 0.0014 |
| 4.375 | 0.4242 | 0.0291 | 9 | 0.8727 | 0.0095 | 13.625 | 1.3212 | 0.0012 |
| 4.5 | 0.4364 | 0.0280 | 9.125 | 0.8848 | 0.0094 | 13.7500 | 1.3333 | 0.0009 |
| | | | | | | 13.875 | 1.3455 | 0.0008 |

E.4 SFP+ PASSIVE DIRECT ATTACH CABLE ASSEMBLY SPECIFICATIONS

Passive direct attach cables are tested with a pair of Module Compliance Boards at compliance point B' and C'. SFP+ passive cable assemblies need to meet specification in [Table 37](#).

VCR, VMA, Vcm, and dWDP may be derived using frequency based methodologies that yield equivalent results e.g., utilizing frequency dependent crosstalk and insertion loss transfer functions with transmitter behavioral models.

Table 37 10GSFP+Cu Cable Assembly Specifications at B' and C'

| <i>Parameter - C' (Cable Output)</i> | <i>Symbol</i> | <i>Conditions</i> | <i>Min</i> | <i>Target</i> | <i>Max</i> | <i>Units</i> |
|---|---------------|--|------------|---------------|------------|--------------|
| Single Ended Input and Output Voltage Tolerance | | | -0.3 | | 4.0 | V |
| Output AC Common Mode Voltage | Vcm | See 1 | | | 13.5 | mV (RMS) |
| Difference Waveform Distortion Penalty | dWDPc | See 2, 9, E.4.1 , E.4.2 and D.14.2 | | | 6.75 | dBe |
| VMA Loss | L | See 3, 9, D.7 , E.4.4 | | | 4.4 | dBe |
| VMA Loss to Crosstalk Ratio | VCR | See 1, D.7 , E.4.1 , E.4.4 | 32.5 | | | dB |
| Differential Output/Input Reflection Coefficient ⁴ | SDDxx | 0.01-4.1 GHz | | | See 5 | dB |
| | | 4.1-11.1 GHz | | | See 6 | dB |
| Common Mode Output/Input Reflection Coefficient ⁷ | SCCxx | 0.01-2.5 GHz | | | See 10 | dB |
| | | 2.5-11.1 GHz | | | -3 | dB |
| <i>Parameter - B" (Input Test Conditions)</i> | <i>Symbol</i> | <i>Conditions</i> | <i>Min</i> | <i>Target</i> | <i>Max</i> | <i>Units</i> |
| Input AC Common Mode Voltage | Vcm | See 1, D.15.2 | | 12 | | mV (RMS) |
| Signal Rise and fall time Time | Tr/tf | See D.6 | | 34 | | ps |
| Crosstalk Source Rise/Fall time (20% to 80%) | Tr, Tf | See D.6 | | 34 | | ps |
| Crosstalk Source Amplitude Differential (p-p) | | | | 700 | | mV |
| WDP _i | | See 8 | | 2.4 | | dBe |

1. When input common mode voltage is 12.0 mV RMS and when input rise and fall times are 34ps and the amplitude is the max amplitude allowed by [Table 12](#).
2. Defined with reference receiver with 14 T/2 spaced FFE taps and 5 T spaced DFE taps, see [Appendix G](#).
3. VMA loss is the ratio of VMA measured at input and output, respectively.
4. Reference differential impedance is 100 Ω. The dB value listed here are the same as dBe.
5. Reflection Coefficient given by equation $SDD_{xx}(dB) = -12 + 2 \times \text{SQRT}(f)$, with f in GHz.
6. Reflection Coefficient given by equation $SDD_{xx}(dB) = -6.3 + 13 \times \log_{10}(f/5.5)$, with f in GHz.
7. Common mode reference impedance is 25 Ω. The dB value listed here are the same as dBe
8. Adjust DDJ and/or DDPWS by adjusting pre-emphasis until the target WDP_i is achieved.
9. With input test condition given by parameters B" given in this table.
10. Reflection coefficient given by equation $SCC_{xx}(dB) < -7 + 1.6 \times f$, with f in GHz.

E.4.1 SFP+ DIRECT ATTACH CABLE TEST SETUP

Direct attach cable testing methodology is based on the SFP+ test methodology as defined in section 3.3. The cable is measured through a pair of Module Compliance Boards as shown in Figure 63. This diagram shows the block diagram for testing NEXT on cable A end and for measuring WDP on path 1. To measure NEXT on B end and WDP on path 2 the cable end A and B are reversed. The Compliance Signal Generator is described in Figure 49.

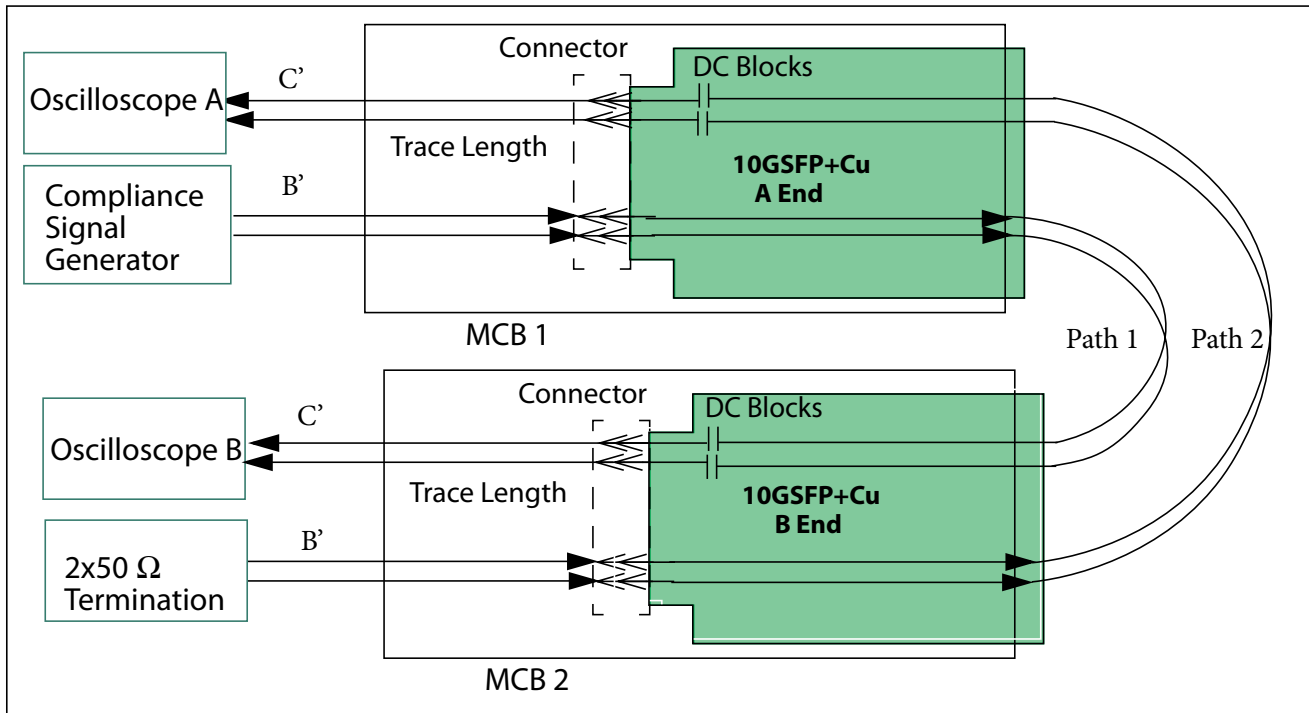


Figure 63 10GSFP+ Cable Test Setup

WDP_i and WDP₀ in Figure 64 use the WDP method defined in D.9. WDP_i for copper is measured by plugging Host Compliance Board into the Module Compliance Board 1 and then meeting the target WDP_i as listed in Table 37. WDP₀ is measured by plugging one end of the cable in to Module Compliance Board 1 and the other end in to the Module Compliance Board 2. B" Stress Generator can be the test system described in D.10.

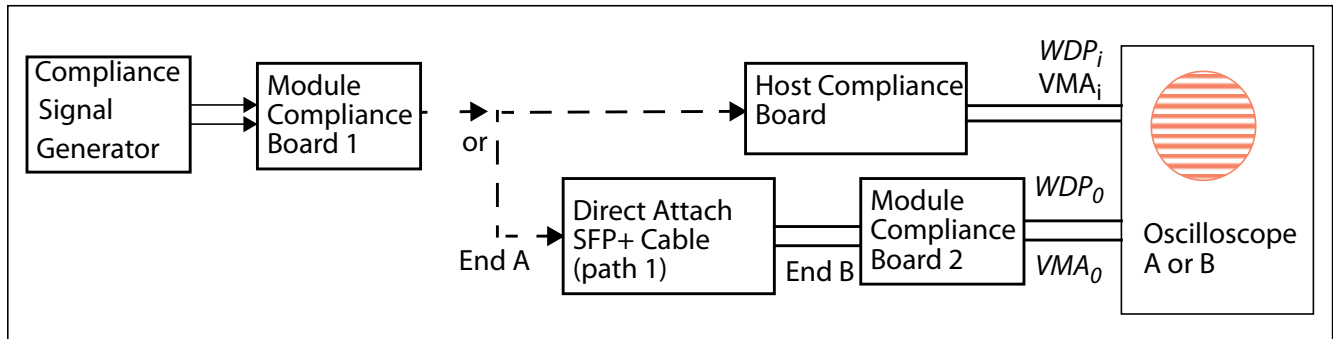


Figure 64 10GSFP+Cu Cable NEXT dWDP Test Setup

E.4.2 CABLE dWDP TEST PROCEDURE

The measurement procedure for dWDP is described below:

- The compliance signal generator is set to the PRBS9.
- To improve measurement accuracy, uncorrelated jitter and noise should be reduced.
- Averaging should be used to further reduce instrumentation and measurement noise so their effect on the results are negligible.
- To calibrate WDP_i per [Table 37](#), refer to [Figure 64](#). Plug a Host Compliance Board into the Module Compliance Board connected to the pattern generator. Adjust input rise and fall times to the target value as in [Table 37](#). Adjust DDJ and DDPWS to obtain WDP_i given by [Table 37](#). Varying pre-emphasis as described in [D.10](#) is an acceptable method.
- Unplug the Host Compliance Board and connect the cable assembly to the Module Compliance Board as shown in [Figure 64](#). Measure WDP_o .
- $dWDP = WDP_o - WDP_i$.

E.4.3 CABLE NEXT MEASUREMENT PROCEDURE

Cable NEXT is measured based on the following procedure using the test setup shown in [Figure 63](#):

- The Compliance Signal Generator should be calibrated via a Host Compliance Board inserted into the Module Compliance Board. The output of the Host Compliance Board is point B".
- The Compliance Signal Generator amplitude and rise and fall times at B" are calibrated to the crosstalk target values as defined in [Table 37](#).

- The Compliance Signal Generator DDJ and DDPWS at B" should meet or be less than the target specified in [Table 17](#).
- The pattern for the Compliance Signal Generator is PRBS31.
- Module Compliance Board B outputs and inputs are terminated in 50 Ω.
- NEXT is the RMS voltage measured by Oscilloscope A in a bandwidth of 12 GHz. Oscilloscope A should be free running (not triggered).
- The inherent Oscilloscope noise may be corrected by the RSS of Gaussian noise from the measured NEXT result.
- The far end Module Compliance Board outputs and input are terminated in to 50 Ω.
- This measurement is then repeated for the other cable end.

E.4.4 VMA TO CROSSTALK RATIO (VCR)

Cable VMA loss (L) for cable path 1 can be measured using the test setup shown in [Figure 64](#). VMA loss (L) for cable path 2 is measured by reversing cable end A with B.

$$L(dBe) = 20 \log \left(\frac{VMA_i}{VMA_o} \right)$$

Where VMA_i is the measured VMA at B" and VMA_o is measured at C'.

VMA/2 to crosstalk ratio (VCR) is the ratio of the transmitter minimum VMA at B" [Table 33](#) divided by the cable NEXT which already incorporates reflective FEXT. The factor 0.3 in the VCR¹ equation accounts for SFP+ finite host return loss.

$$VCR(dBe) = VNR - L - K - 20 \log_{10}(1 + C)$$

where

$$C = 0.3 \times 10^{\left(-\frac{2L}{20} \right)}$$

1. VCR equation can be as the following $20 * \log_{10}(VMAMIN / (2 * NEXT * (1 + C))) - L$.

$$VNR = 20\log_{10} \left[\frac{(NEXT_{aggressor} VMA)}{2} \right]$$

$$K(dBe) = 20\log_{10} \left(\frac{VMA_{max}}{VMA_{min}} \right) = 20\log_{10} \left(\frac{700}{300} \right) = 7.36$$

The procedure to measure NEXT is described in [E.4.3](#).

APPENDIX F 1.25 GBd OPERATION SUPPORT (OPTIONAL)

F.1 INTRODUCTION

SFP+ host may be designed to operate at 1.25 GBd Ethernet rate using the classic SFP modules based on INF-8074i. Although IEEE Std 802.3, clauses 38 and 59 (1000BASE-SX, 1000BASE-LX and 1000BASE-LX10 PMDs) do not define the electrical levels for the module, INF-8074i specifies those levels which are reproduced here for reference [Table 38](#).

Host transmitter output levels B and host receiver input tolerance levels at C are respectively given by [Table 39](#) and [Table 40](#) for SFP+ host operating at 1.25 GBd. Note: levels specified here may not be fully compliant with all classic SFP modules, but are expected to include a large percentage of existing 1.25 GBd classic modules. In order to be fully compliant to all classic SFP modules the max host receiver input tolerance level has to be 2000 mV, however this is not considered practical for modern 10Gb/s SerDes.

Table 38 INF-8074i Voltage Levels for Reference Only

| <i>Parameters - B'</i> | <i>Symbol</i> | <i>Conditions</i> | <i>Min</i> | <i>Max</i> | <i>Units</i> |
|--|------------------|-------------------|------------|------------|--------------|
| SFP Module Input Differential at B' | V _{in} | See 1 | 500 | 2400 | mV (p-p) |
| SFP Module Output Differential at C' | V _{out} | | 370 | 2000 | mV (p-p) |
| 1. INF-8074i recommends value between 500-1200 mV differential p-p be used for best EMI performance. | | | | | |

F.2 SFP+ HOST OPERATION GUIDELINE FOR SUPPORTING CLASSIC SFP

SFP+ host must support TP1 and TP4 jitter specifications per IEEE CL 38.5 and CL 59.6 at point B and C respectively.

SFP+ host output pre-emphasis level may need to be adjusted for optimum output eye diagram for 1.25 GBd operation.

The module maximum input at B is given in [Table 39](#) and is the same value as in INF-8074i. However, to provide compatibility with SFP+ hosts the module maximum output in [Table 40](#) is much lower than the value specified in INF-8074i. An SFP module meeting the specifications of [Table 41](#) will interoperate with SFP+ hosts.

Table 39 SFP+ Host Transmitter Requirements to Support 1.25 GBd Mode

| <i>Parameters - B</i> | <i>Symbol</i> | <i>Conditions</i> | <i>Min</i> | <i>Units</i> |
|------------------------------|---------------|---|--------------|--------------|
| Host Output VMA Differential | Vout | | 500 | mV |
| <i>Parameters- B</i> | <i>Symbol</i> | <i>Conditions</i> | <i>Value</i> | <i>Units</i> |
| Eye Mask | Y1 | See D.2 and Figure 65 | 150 | mV |
| Eye Mask | Y2 | | 500 | mV |

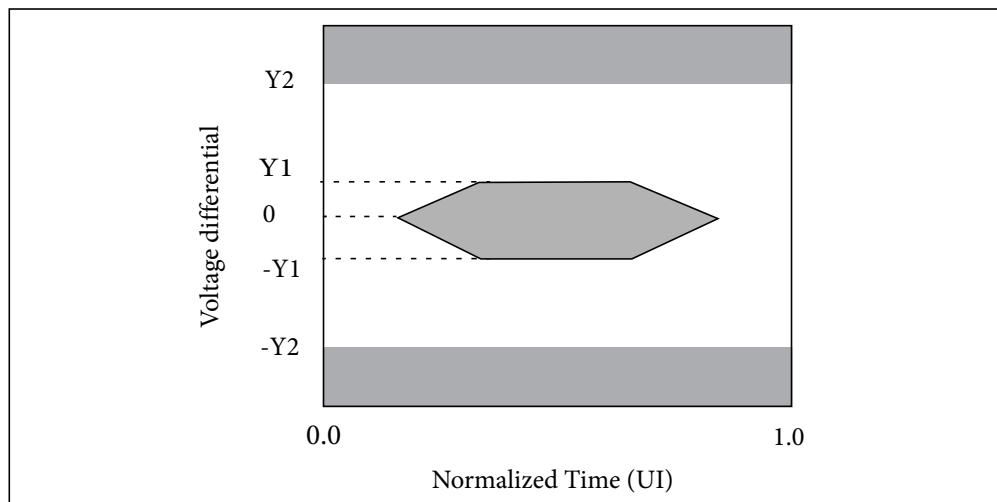


Figure 65 SFP+ Host Transmitter Output Mask for 1.25 GBd Operation

Table 40 SFP+ Host Receiver Requirements to Support 1.25 GBd Mode

| <i>Parameters - C</i> | <i>Symbol</i> | <i>Conditions</i> | <i>Min</i> | <i>Units</i> |
|-----------------------------|---------------|---|--------------|--------------|
| Host Input VMA Differential | Vin | | 370 | mV |
| <i>Parameters- C</i> | <i>Symbol</i> | <i>Conditions</i> | <i>Value</i> | <i>Units</i> |
| Eye Mask | Y1 | See D.2 and Figure 66 | 125 | mV |
| Eye Mask | Y2 | | 600 | mV |

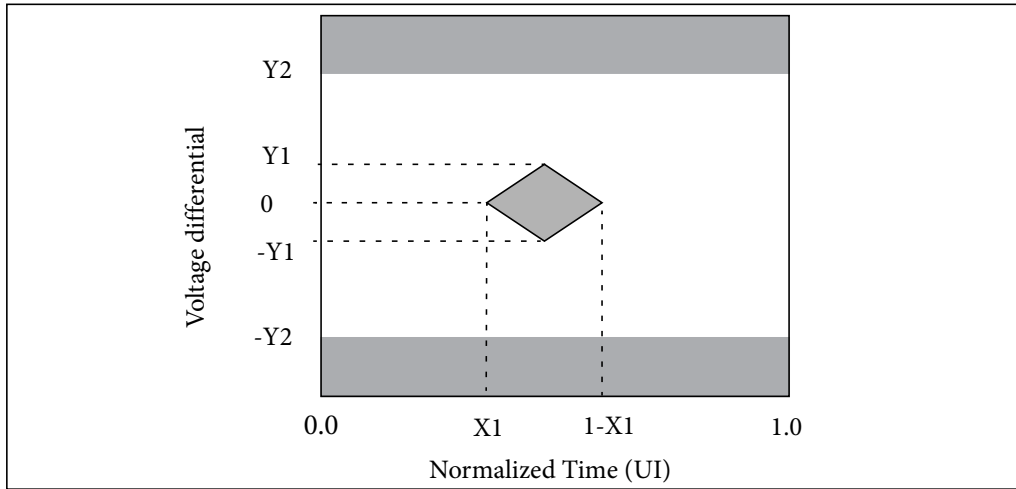


Figure 66 SFP+ Host Receiver Input Mask for 1.25 GBd Operation

Table 41 SFP Module input and output ranges that can be supported by the SFP+ Host

| <i>Parameters - Module</i> | <i>Symbol</i> | <i>Conditions</i> | <i>Min</i> | <i>Max</i> | <i>Units</i> |
|---|------------------|-------------------|------------------|-------------------|--------------|
| SFP Module Input at B' | V _{in} | | 500 ¹ | 2400 ¹ | mV (p-p) |
| SFP Module Output at C' | V _{out} | | 370 ¹ | 1200 | mV (p-p) |
| 1. Values are identical to the SFP classic INF-8074i specification. | | | | | |

APPENDIX G MATLAB CODE FOR TWDP

```
%%%%%%%%%%%%%%%%%%%%%%%%%%%%%%%%%%%%%%%%%%%%%%%%%%%%%%%%%%%%%%%%%%%%%%%% MATLAB (R) Code for xWDP Computation %%%%%%%%%%%%%%%%%%%%%%%%%%%%%%%%%%%%%%%%%%%%%%%%%%%%%%%%%%%%%%%%%%%%%%%%%

%% SFF-8431 TWDP Code - PAlloc for Cu is now 14.0 dBe.
%% Based on original TWDP methodology described in IEEE Std 802.3aq(TM)-2006

%% Reference: N. L. Swenson, P. Voois, T. Lindsay, and S. Zeng, "Standards
%% compliance testing of optical transmitters using a software-based equalizing
%% reference receiver", paper NWC3, Optical Fiber Communication Conference and
%% Exposition and The National Fiber Optic Engineers Conference on CD-ROM
%% (Optical Society of America, Washin[gt]on, DC), Feb. 2007.

function [xWDP,MeasuredxMA]=SFF8431xWDP(WaveformFile,EqNf,EqNb,SymbolRate,Usage)
%% Example calling syntax:
%% [xWDP,MeasuredxMA]=SFF8431xWDP('wavefile.txt',14,5,10.3125,'Optical_WDP')

%% The fields in the example given above should be replaced by the actual values
%% being used. WaveformFile should be the actual path\filename for each waveform
%% tested. The waveform consists of exactly N samples per unit interval T, where
%% N is the oversampling rate. The waveform must be circularly shifted to align
%% with the data sequence. The file format for the measured waveform is ASCII
%% with a single column of chronological numerical samples, in signal level,
%% with no headers or footers.
%% EqNf is the # of T/2-spaced feedforward equalizer taps; EqNb is the # of
%% T-spaced feedback equalizer taps.
%% SymbolRate is in gigabaud.
%% Options for Usage are 'Optical_WDP', 'Copper_WDP', and 'Copper_TWDP'.
%% 'Optical_WDP' is used in support of Chapter 3 for
%%   measuring WDPi at the output of an optical TP3 tester,
%%   measuring WDPO at C' of a linear optical module receiver, and
%%   calibrating WDP at C' for testing a host that supports linear optical modules.
%% 'Copper_WDP' is used in support of Annex E for
%%   measuring WDPi and calibrating WDP at B' for testing a copper cable assembly,
%%   measuring WDPO at C' of a copper cable assembly (C), and
%%   calibrating WDP at C' for testing a host that supports copper cable assemblies
%% 'Copper_TWDP' is used for measuring TWDP at B of a host that supports copper
%% cable assemblies.

%% Transmit data file: The transmit data sequence is the 511 bit PRBS9 TWDP test
%% patterns defined in Table 686. The file format is ASCII with a single column
%% of chronological ones and zeros with no headers or footers.
TxDataFile = 'prbs9_950.txt';

%% Program constants %%
OverSampleRate = 16; % Oversampling rate, must be even
SymbolPeriod = 1/SymbolRate; % Symbol period is in ns
Q0 = 7.03; % BER = 10^(-12)

%% Load input waveform and data sequence, generate filter and other matrices
yout0 = load(WaveformFile);
XmitData = load(TxDataFile);
PtrnLength = length(XmitData);
TotLen = PtrnLength*OverSampleRate;
Fgrid = [-TotLen/2:TotLen/2-1].'/(PtrnLength*SymbolPeriod);
%% Compute response of 7.5 GHz 4th order Butterworth antialiasing filter
```

```
a = [1 123.1407 7581.811 273453.7 4931335]; % Denominator polynomial
b = 4931335; % Numerator for frequency response
ExpArg = -j*2*pi*Fgrid;
H_r = b./polyval(a,-ExpArg);

%% Get usage parameters for the application
[H_chan,Delays,PAlloc,dBscale] = GetParams(Usage,ExpArg);
N0 = SymbolPeriod/2 / (Q0 * 10^(PAlloc/dBscale))^2;

%% Set search range for equalizer delay, specified in symbol periods. Lower end
%% of range is minimum channel delay. Upper end of range is the sum of the
%% lengths of the FFE and channel. Round up and add 5 to account for the
%% antialiasing filter.
EqDelMin = floor(min(Delays)/SymbolPeriod);
EqDelMax = ceil(EqNf/2 + max(Delays)/SymbolPeriod);

ONE=ones(PtrnLength,1);
%% Normalize the received xMA (OMA or VMA) to 1. Estimate the xMA of the captured
%% waveform by using a linear fit to estimate a pulse response, synthesize a
%% square wave, and calculate the xMA of the synthesized square wave per IEEE
%% 802.3, clause 52.9.5.
ant=4; mem=40; % Anticipation and memory parameters for linear fit
X=zeros(ant+mem+1,PtrnLength); % Size data matrix for linear fit
Y=zeros(OverSampleRate,PtrnLength); % Size observation matrix for linear fit
for ind=1:ant+mem+1
    X(ind,:)=circshift(XmitData,ind-ant-1)'; % Wrap appropriately for lin fit
end
X=[X;ones(1,PtrnLength)]; % The all-ones row is included to compute the bias
for ind=1:OverSampleRate
    Y(ind,:)=yout0([0:PtrnLength-1]*OverSampleRate+ind)'; % Each column is 1 bit
end
Qmat=Y*X*(X*X')^(-1); % Coefficient matrix resulting from linear fit. Each
%% column (except the last) is one bit period of the pulse response. The last
%% column is the bias.
SqWvPer=16; % Even number; sets the period of the sq wave used to compute xMA
SqWv=[zeros(SqWvPer/2,1);ones(SqWvPer/2,1)]; % One period of sq wave (column)
X=zeros(ant+mem+1,SqWvPer); % Size data matrix for synthesis
for ind=1:ant+mem+1
    X(ind,:)=circshift(SqWv,ind-ant-1)'; % Wrap appropriately for synthesis
end
X=[X;ones(1,SqWvPer)]; % Include the bias
Y=Qmat*X;Y=Y(:); % Synthesize the modulated square wave, put into one column
Y=AlignY(Y,SqWvPer,OverSampleRate);
avgpos=[0.4*SqWvPer/2*OverSampleRate:0.6*SqWvPer/2*OverSampleRate];
ZeroLevel=mean(Y(round(avgpos),:)); % Average over middle 20% of "zero" run
% Average over middle 20% of "one" run, compute xMA
MeasuredxMA=mean(Y(round(SqWvPer/2*OverSampleRate+avgpos),:))-ZeroLevel;
%% Subtract zero level and normalize xMA
yout0 = (yout0-ZeroLevel)/MeasuredxMA;

%% Compute the noise autocorrelation sequence at the output of the front-end
%% antialiasing filter and rate-2/T sampler.
Snn = N0/2 * fftshift(abs(H_r).^2) * 1/SymbolPeriod * OverSampleRate;
Rnn = real(ifft(Snn));
```

```
Corr = Rnn(1:OverSampleRate/2:end);
C = toeplitz(Corr(1:EqNf));

%% Compute the minimum slicer MSE and corresponding xWDP
X = toeplitz(XmitData, [XmitData(1); XmitData(end:-1:end+1-EqNb)]);
Xtil = toeplitz(circshift(XmitData, EqDelMin), ...
    XmitData(mod(-EqDelMin:-1:-(EqDelMax+EqNb), PtrnLength)+1));
Rxx = X'*X; % Used in MSE calculation
%% Propagate the waveform through channel.
yout = real(ifft(fft(yout0) .* fftshift(H_chan)));
%% Process signal through front-end antialiasing filter %%%%%%%%%%%
yout = real(ifft(fft(yout) .* fftshift(H_r)));
%% Compute MMSE-DFE %%%%%%%%%%%
%% The MMSE-DFE filter coefficients computed below minimize mean-squared error
%% at the slicer input. The derivation follows from the fact that the slicer
%% input over the period of the data sequence can be expressed as  $Z = (R+N)*W -$ 
%%  $X*[0 B]'$ , where R and N are Toeplitz matrices constructed from the signal and
%% noise components, respectively, at the sampled output of the antialiasing
%% filter, W is the feedforward filter, X is a Toeplitz matrix constructed from
%% the input data sequence, and B is the feedback filter. The computed W and B
%% minimize the mean square error between the input to the slicer and the
%% transmitted sequence due to residual ISI and Gaussian noise. Minimize MSE
%% over 2/T sampling phase and FFE delay and determine BER.
MseOpt = Inf;
for jj= [0:OverSampleRate-1]-OverSampleRate/2 % sampling phase
    %% Sample at rate 2/T with new phase (wrap around as required)
    yout_2overT = yout(mod([1:OverSampleRate/2:TotLen]+jj-1, TotLen)+1);
    Rout = toeplitz(yout_2overT, [yout_2overT(1); yout_2overT(end:-1:end-EqNf+2)]);
    R = Rout(1:2:end, :);
    RINV = inv([R'*R+PtrnLength*C R'*ONE; ONE'*R PtrnLength]);
    R=[R ONE]; % Add all-ones column to compute optimal offset
    Rxr = Xtil'*R; Px_r = Rxr*RINV*Rxr';
    %% Minimize MSE over equalizer delay
    for kk = 1:EqDelMax-EqDelMin+1
        SubRange = [kk:kk+EqNb];
        SubRange = mod(SubRange-1, PtrnLength)+1;
        P = Rxx - Px_r(SubRange, SubRange);
        P00 = P(1,1); P01 = P(1,2:end); P11 = P(2:end,2:end);
        Mse = P00 - P01*inv(P11)*P01';
        if (Mse<MseOpt)
            MseOpt = Mse;
            B = -inv(P11)*P01'; % Feedback filter
            XSel = Xtil(:, SubRange);
            W = RINV*R'*XSel*[1;B]; % Feedforward filter
            Z = R*W - XSel*[0;B]; % Input to slicer
            %% Compute BER using semi-analytic method %%%%%%%%%%%
            MseGaussian = W(1:end-1)'*C*W(1:end-1);
            Ber = mean(0.5*erfc((abs(Z-0.5)/sqrt(MseGaussian))/sqrt(2)));
        end
    end
end
end

%% Compute equivalent SNR %%%%%%%%%%%
%% This function computes the inverse of the Gaussian error probability
```

```
%% function. The built-in function erfcinv() is not sensitive enough for low
%% probability of error cases.
if Ber>10^(-12) Q = sqrt(2)*erfcinv(1-2*Ber);
elseif Ber>10^(-323) Q = 2.1143*(-1.0658-log10(Ber)).^0.5024;
else Q = inf;
end

%% Compute penalty %%%%%%%%%%%
RefSNR = dBscale * log10(Q0) + PAlloc;
xWDP = RefSNR-dBscale*log10(Q);
%% End of main function

%% GetParams subFunction
function [H_chan,Delays,PAlloc,dBscale] = GetParams(Usage,ExpArg);
switch Usage
case 'Optical_WDP' % Identity channel for optical
    Delays = 0;
    H_chan = 1;
    PAlloc = 6.5; % Total allocated dispersion penalty (dBo)
    dBscale = 10;
case 'Copper_WDP' % Identity channel for copper
    Delays = 0;
    H_chan = 1;
    PAlloc = 14.0;% Total allocated dispersion penalty (dBe)
    dBscale = 20;
case 'Copper_TWDP' % Cu TWDP stressor
    ChanResp = [...
        .0 .04849 .09697 .14546 .19394 .24243 .29091 .33940 .38788, ...
        .43637 .48485 .53334 .58182 .63031 .67879 .72728 .77576;
        .0175 .136 .2695 .1649 .0917 .0717 .0498 .0383 .0315, ...
        .027 .0216 .0202 .0174 .0146 .0123 .0094 .0066];
    Delays = ChanResp(1,:);
    PCoefs = ChanResp(2,:);
    H_chan = exp(ExpArg*Delays)*PCoefs/sum(PCoefs); %With normalization
    PAlloc = 14.0;% Total allocated dispersion penalty (dBe)
    dBscale = 20;
end
%% End of GetParams function

%% AlignY subFunction
function Y = AlignY(Y0,SqWvPer,OverSampleRate)
% Aligns the mid crossing of the xMA square waveform to its ideal position.

Y = Y0-mean(Y0); % AC-couple so crossings are at 0.

% Look only for the crossing in the middle by ignoring any within ~2 UI from
% its beginning. Due to possible misalignment of the captured waveform, this
% is the only crossing that is certain.
x = find(sign(Y(2*OverSampleRate:end-1))~= ...
    sign(Y(2*OverSampleRate+1:end)),1)+2*OverSampleRate-1;
% Find a more exact crossing point.
xinterp = interp1([Y(x),Y(x+1)], [x,x+1],0);

% Shift to create the aligned square waveform
Y = circshift(Y0,SqWvPer/2*OverSampleRate-x); % Coarse shift.
X = [1:length(Y)].'; Y = interp1(X,Y,X+xinterp-x,'spline'); % Fine shift.
%% End of AlignY function
```

TABLE 1 SFP+ STANDARD COMPLIANCE

| Standard | Signaling Rate (GBd) | High Speed Serial Interface | High Speed Serial Test Method | Low Speed Electrical Definitions | Low Speed Test Methods | Management | Mechanical/ Connector |
|--|----------------------|----------------------------------|-------------------------------|----------------------------------|------------------------|---|-----------------------|
| IEEE 802.3 Clause 38 or Clause 59 (1 Gb/s Ethernet) | 1.25 | 802.3 Clause 38 or 59 Appendix F | | Chapter 2 | Appendix D | Chapter 4 SFF-8472 SFF-8079 SFF-8089 | SFF-8432 SFF-8083 |
| 1 GFC | 1.0625 | FC-PH | FC-PH | | | | |
| 2 GFC | 2.125 | FC-PI | FC-PI | | | | |
| 4 GFC | 4.25 | FC-PI-2 | FC-PI-2 | | | | |
| 8 GFC * | 8.5 | FC-PI-5 | FC-PI-5 | | | | |
| 16 GFC | 14.025 | FC-PI-5 | FC-PI-5 | | | | |
| 32 GFC | 28.05 | FC-PI-6 | FC-PI-6 | | | | |
| 10GSFP+Cu | 10.3125 | Chapter 3 Appendix E | Appendix D Appendix E | | | | |
| IEEE 802.3 Clause 52 (10 Gb/s Ethernet LAN PHY) | 10.3125 | Chapter 3 | Appendix D | | | | |
| IEEE 802.3 Clause 52 (10 Gb/s Ethernet WAN PHY) | 9.95328 | | | | | | |
| IEEE 802.3 Clause 68 (LRM) | 10.3125 | | | | | | |
| 10 GFC | 10.51875 | | | | | | |
| 10GBASE-R (IEEE 802.3 Clause 49) Encapsulated in G.709 ODU-2 Frame (FEC) | 11.10 | | | | | | |
| * 8GFC specifications revised in FC-PI-5 and override FC-PI-4 requirements | | | | | | | |

2.8 SFP+ Power Requirements

The module host has two 3.3 V power contacts, one supplying the module transmitter voltage (VccT) and the other supplying the module receiver voltage (VccR). The maximum current capacity, both continuous and peak, for each connector contact is 500 mA.

SFP+ module maximum power consumption shall meet one of the following power classes:

- Power Level I modules - Up to 1.0 W
- Power Level II modules - Up to 1.5 W
- Power Level III modules - Up to 2.0 W

To avoid exceeding system power supply limits and cooling capacity, all modules at power up by default shall operate with up to 1.0 W. Hosts supporting Power Level II or III operation may enable a Power Level II or III module through the 2-wire interface. Power Level II or III modules shall assert the power level declaration

bit of SFF-8472.

The maximum power level is allowed to exceed the classified power level for 500 ms following hot insertion or power up, or Power Level II or III authorization, however the current is limited to values given by Table 8 and illustrated in Figure 11.

At host power up the host shall supply VccT and VccR to the module within 100 ms of each other.

TABLE 8 SFP+ MODULE POWER SUPPLY REQUIREMENTS

| Parameters | Symbol | Condition | Min | Max | Unit |
|---|--|------------|------|------|------|
| Common Parameters | | | | | |
| Power supply noise tolerance including ripple [peak-to-peak] | | see D.17.3 | | 66 | mV |
| Power supply voltages including ripple, droop and noise below 100 kHz | VccT, VccR | *1 | 3.14 | 3.46 | V |
| Instantaneous peak current at hot plug | | *2 *3 | | 400 | mA |
| Sustained peak current at hot plug | | *2 *3 *5 | | 330 | mA |
| Power Level I Module | | | | | |
| Module maximum power consumption | | | | 1.0 | W |
| Power Level II Module | | | | | |
| Instantaneous peak current on enabling Power Level II | | *2 *3 *5 | | 600 | mA |
| Module sustained peak current on enabling Power Level II | | *2 *3 *5 | | 500 | mA |
| Maximum power consumption at power up | | *4 | | 1.0 | W |
| Module maximum power consumption | | | | 1.5 | W |
| Power Level III Module | | | | | |
| Instantaneous peak current on enabling Power Level III | | *2 *3 *5 | | 800 | mA |
| Module sustained peak current on enabling Power Level III | | *2 *3 *5 | | 660 | mA |
| Maximum power consumption at power up | | *4 | | 1.0 | W |
| Module maximum power consumption | | | | 2.0 | W |
| *1 | Set point is measured at the input to the connector on the host board reference to Vee. Droop is any temporary drop in voltage of the power supply such as that caused by plugging in another module or when enabling another module to Power Level II. | | | | |
| *2 | The requirements for current apply to the current through each inductor of Figure 56. | | | | |
| *3 | The maximum currents are the allowed currents for each power supply VccT or VccR, therefore the total module peak currents can be twice this value. The instantaneous peak current is allowed to exceed the specified maximum current capacity of the connector contact for a short period, see Figure 11. | | | | |
| *4 | Maximum module power consumption shall not exceed 1.0 W from 500ms after power up until level II operation is enabled. | | | | |
| *5 | Not to exceed the sustained peak limit for more than 50 us; may exceed this limit for shorter durations. | | | | |