

DATA SHEET

MODULETEK: SFP-GE-DWDM-xx.xx-32DB-C10

1.25Gb/s 120km SFP DWDM Transceiver

SFP-GE-DWDM-xx.xx-32DB-C10 Overview

ModuleTek's SFP-GE-DWDM-xx.xx-32DB-C10 optical transceivers are designed for operation in Metro Access Rings and Core networks using DWDM networking equipment. This module operates at a nominal DWDM wavelength from 1528.77nm to 1563.05nm as specified by the ITU-T. The product implements digital diagnostics via a 2-wire serial bus, compliant with the Small Form Factor Pluggable Multi-Source Agreement (MSA) and SFF-8472 standard.

Product Features

- Up to 1.25Gb/s bi-directional data links
- Compliant with SFP MSA
- Compliant with SFF-8472
- Hot-Pluggable
- Built-in digital diagnostic functions
- Temperature-stabilized DWDM rated EML laser transmitter
- Receiver with APD
- Duplex LC connector
- Up to 120km on SMF
- Single power supply 3.3V
- RoHS Compliant
- Operating case temperature range: 0°C to 70°C

Applications

- DWDM networks
- Fast Ethernet, Giga Ethernet
- Fiber Channel

Ordering Information

Part Number	Description	Color on Clasp
SFP-GE-DWDM-xx.xx-32DB-C10	1.25Gb/s SFP Transceiver, LC Connectors, Single Mode Fiber (ITU 100GHz Grid), 120km	Blue
For More Information: ModuleTek Limited Web: www.moduletek.com Email: sales@moduletek.com		

Product Selection

Product number	Description	ITU channel
SFP-GE-DWDM-63.05-32DB-C10	DWDM SFP Transceiver 1563.05 nm	18
SFP-GE-DWDM-62.23-32DB-C10	DWDM SFP Transceiver 1562.23 nm	19
SFP-GE-DWDM-61.24-32DB-C10	DWDM SFP Transceiver 1561.42 nm	20
SFP-GE-DWDM-60.61-32DB-C10	DWDM SFP Transceiver 1560.61 nm	21
SFP-GE-DWDM-59.79-32DB-C10	DWDM SFP Transceiver 1559.79 nm	22
SFP-GE-DWDM-58.98-32DB-C10	DWDM SFP Transceiver 1558.98 nm	23
SFP-GE-DWDM-58.17-32DB-C10	DWDM SFP Transceiver 1558.17 nm	24
SFP-GE-DWDM-57.36-32DB-C10	DWDM SFP Transceiver 1557.36 nm	25
SFP-GE-DWDM-56.55-32DB-C10	DWDM SFP Transceiver 1556.55 nm	26
SFP-GE-DWDM-55.75-32DB-C10	DWDM SFP Transceiver 1555.75 nm	27
SFP-GE-DWDM-54.94-32DB-C10	DWDM SFP Transceiver 1554.94 nm	28
SFP-GE-DWDM-54.13-32DB-C10	DWDM SFP Transceiver 1554.13 nm	29
SFP-GE-DWDM-53.33-32DB-C10	DWDM SFP Transceiver 1553.33 nm	30
SFP-GE-DWDM-52.52-32DB-C10	DWDM SFP Transceiver 1552.52 nm	31
SFP-GE-DWDM-51.72-32DB-C10	DWDM SFP Transceiver 1551.72 nm	32
SFP-GE-DWDM-50.92-32DB-C10	DWDM SFP Transceiver 1550.92 nm	33
SFP-GE-DWDM-50.12-32DB-C10	DWDM SFP Transceiver 1550.12 nm	34
SFP-GE-DWDM-49.32-32DB-C10	DWDM SFP Transceiver 1549.32 nm	35
SFP-GE-DWDM-48.51-32DB-C10	DWDM SFP Transceiver 1548.51 nm	36
SFP-GE-DWDM-47.72-32DB-C10	DWDM SFP Transceiver 1547.72 nm	37
SFP-GE-DWDM-46.92-32DB-C10	DWDM SFP Transceiver 1546.92 nm	38
SFP-GE-DWDM-46.12-32DB-C10	DWDM SFP Transceiver 1546.12 nm	39
SFP-GE-DWDM-45.32-32DB-C10	DWDM SFP Transceiver 1545.32 nm	40
SFP-GE-DWDM-44.53-32DB-C10	DWDM SFP Transceiver 1544.53 nm	41

SFP-GE-DWDM-43.73-32DB-C10	DWDM SFP Transceiver 1543.73 nm	42
SFP-GE-DWDM-42.94-32DB-C10	DWDM SFP Transceiver 1542.94 nm	43
SFP-GE-DWDM-42.14-32DB-C10	DWDM SFP Transceiver 1542.14 nm	44
SFP-GE-DWDM-41.35-32DB-C10	DWDM SFP Transceiver 1541.35 nm	45
SFP-GE-DWDM-40.56-32DB-C10	DWDM SFP Transceiver 1540.56 nm	46
SFP-GE-DWDM-39.77-32DB-C10	DWDM SFP Transceiver 1539.77 nm	47
SFP-GE-DWDM-38.98-32DB-C10	DWDM SFP Transceiver 1538.98 nm	48
SFP-GE-DWDM-38.19-32DB-C10	DWDM SFP Transceiver 1538.19 nm	49
SFP-GE-DWDM-37.40-32DB-C10	DWDM SFP Transceiver 1537.40 nm	50
SFP-GE-DWDM-36.61-32DB-C10	DWDM SFP Transceiver 1536.61 nm	51
SFP-GE-DWDM-35.82-32DB-C10	DWDM SFP Transceiver 1535.82 nm	52
SFP-GE-DWDM-35.04-32DB-C10	DWDM SFP Transceiver 1535.04 nm	53
SFP-GE-DWDM-34.25-32DB-C10	DWDM SFP Transceiver 1534.25 nm	54
SFP-GE-DWDM-33.47-32DB-C10	DWDM SFP Transceiver 1533.47 nm	55
SFP-GE-DWDM-32.68-32DB-C10	DWDM SFP Transceiver 1532.68 nm	56
SFP-GE-DWDM-31.90-32DB-C10	DWDM SFP Transceiver 1531.90 nm	57
SFP-GE-DWDM-31.12-32DB-C10	DWDM SFP Transceiver 1531.12 nm	58
SFP-GE-DWDM-30.33-32DB-C10	DWDM SFP transceiver 1530.33 nm	59
SFP-GE-DWDM-29.55-32DB-C10	DWDM SFP transceiver 1529.55 nm	60
SFP-GE-DWDM-28.77-32DB-C10	DWDM SFP transceiver 1528.77 nm	61

General Specifications

Parameter	Symbol	Min	Typ	Max	Unit	Remarks
Data Rate	DR		1.25		Gb/s	
Bit Error Rate	BER			10^{-12}		
Operating Temperature	T _{OP}	0		70	°C	1
Storage Temperature	T _{STO}	-40		85	°C	2
Supply Current	I _S			450	mA	3
Input Voltage	V _{CC}	3.14	3.3	3.46	V	
Maximum Voltage	V _{MAX}	-0.5		4	V	3

Notes:

1. Case temperature
2. Ambient temperature
3. For electrical power interface

Optical – Characteristics – Transmitter

$V_{CC}=3.14V$ to $3.46V, T_C=0^{\circ}C$ to $70^{\circ}C$

Parameter	Symbol	Min	Typ	Max	Unit	Remarks
Optical Center Wavelength	λ_C	1528		1566	nm	
Spectral Width(-20dB)	$\Delta\lambda$			0.3	nm	
Side Mode Suppression Ratio	SMSR	30			dB	
Output Optical Power	P_{TX}	0		5	dBm	1
Extinction Ratio	ER	8.2			dB	
Optical Rise/Fall Time(20%-80%)	t_r/t_f			260	ps	
Launch Power of OFF Transmitter	P_{OUT_OFF}			-45	dBm	1
Output Optical Eye	Compatible with IEEE 802.3					

Notes:

1.Average Launch Power

Optical – Characteristics – Receiver

$V_{CC}=3.14V$ to $3.46V, T_C=0^{\circ}C$ to $70^{\circ}C$

Parameter	Symbol	Min	Typ	Max	Unit	Remarks
Optical Center Wavelength	λ_C	1528		1566	nm	
Receiver Sensitivity	R_{X_SEN}			-32	dBm	
Receiver Overload	P_{OL}	-10			dBm	
LOS Assert	LOS_A	-45			dBm	
LOS De-Assert	LOS_D			-33	dBm	
LOS Hysteresis	LOS_H	0.5			dB	

Electrical – Characteristics – Transmitter

$V_{CC}=3.14V$ to $3.46V$, $T_C=0^{\circ}C$ to $70^{\circ}C$

Parameter	Symbol	Min	Typ	Max	Unit	Remarks
Input differential impedance	R_{IN}		100		Ω	
Single ended data input swing	V_{IN_PP}	250		1200	mV	
Transmit disable voltage	V_D	$V_{CC}-1.3$		V_{CC}	V	
Transmit enable voltage	V_{EN}	0		$V_{EE}+0.8$	V	
Transmit disable assert time				10	us	

Electrical – Characteristics – Receiver

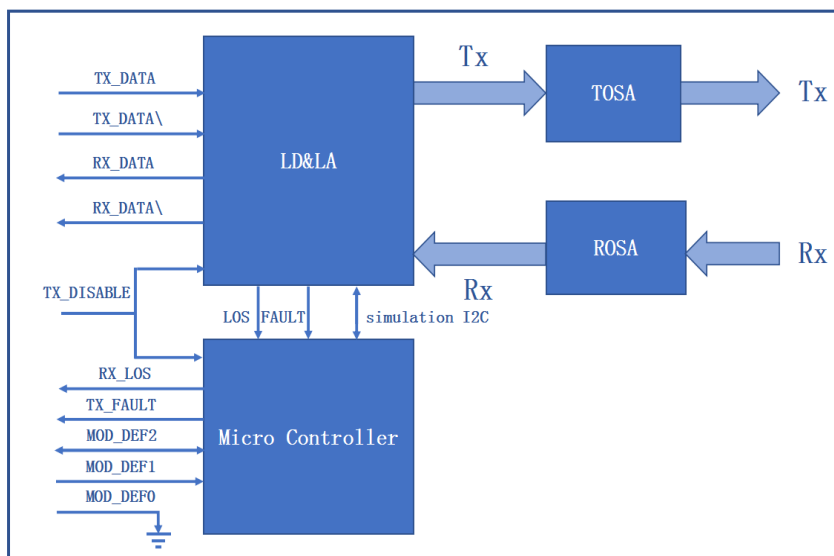
$V_{CC}=3.14V$ to $3.46V$, $T_C=0^{\circ}C$ to $70^{\circ}C$

Parameter	Symbol	Min	Typ	Max	Unit	Remarks
Single ended data output swing	V_{OUT_PP}	250		800	mV	
Data output rise/fall time	t_r/t_f		100	175	ps	
LOS asserted	V_{LOS_A}	$V_{CC}-0.5$		V_{CC_HOST}	V	
LOS de-asserted	V_{LOS_D}	V_{EE}		$V_{EE}+0.5$	V	

Digital Diagnostic Functions

SFP-GE-DWDM-xx.xx-32DB-C10 supports the 2-wire serial communication protocol as defined in SFP MSA. Digital diagnostic information is accessible over the 2-wire interface at the address 0xA2. Digital diagnostics for SFP-GE-DWDM-xx.xx-32DB-C10 are internally calibrated by default. The internal micro control unit accesses the device operating parameters in real time, Such as transceiver temperature, laser bias current, transmitted optical power, received optical power and transceiver supply voltage. The module implements the alarm function of the SFP MSA, alerts the user when a particular operating parameter exceeds the factory-set normal range.

Block-Diagram-of-Transceiver



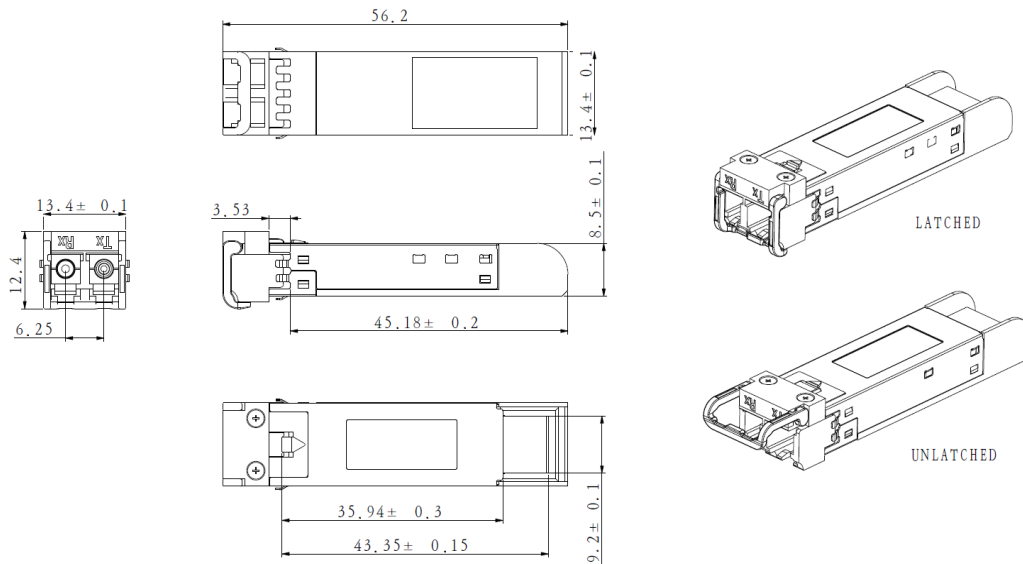
Functions Description

The transmitter consists of a laser driver chip and a TOSA (light-emitting component). The TOSA includes a DFB laser, an electroabsorption modulator (EAM), a TEC, and a backlight diode. Unlike DML, EML TOSA uses external modulation. When the transmission rate of the system is high, the transmission distance is not only limited by the attenuation of the optical fiber, but also by the dispersion of the optical fiber, and the dispersion of the optical communication system is related to the modulation spectral width. The directly modulated laser has a large dispersion cost, and has spectral broadening, frequency chirp, and short transmission distance, so the external modulation method is adopted in the medium-long-distance transmission at a rate of 10 Gb/s. TEC (Thermo Electric Cooler) Controls the temperature of the laser tube. When a temperature is set, the TOSA temperature of the module will remain unchanged through the control of the TEC. The wavelength of the module laser tube is related to the temperature of the laser tube. The module wavelength can be set by setting the TOSA temperature. When stable, the module has excellent wavelength stability. The electrical signal enters the optical module from the serial electrical interface and is then input to the laser driver chip. The laser driver chip supplies the bias current and the modulation current to the laser. The laser driver chip simultaneously uses an automatic optical power control (APC) feedback loop to maintain a constant average optical power of the laser output. The purpose is to eliminate the change of the output optical signal due to temperature changes and aging of the light source device. When the transmitter enable pin (TX_Disable) is high (TTL logic "1"), the laser output is turned off. When TX_Disable is low (TTL logic "0"), the laser will turn on within 1ms. When the transmitter fault signal (TX_Fault) is reported as high, indicates a transmitter failure caused by the transmitter's bias current or transmitted optical power or laser tube temperature exceeding a preset alarm threshold. Low indicates normal operation.

The receiver consists of a ROSA (light-receiving component) and a limiting amplifier chip, ROSA includes a APD photodetector and a transimpedance amplifier chip. The ROSA detects the incident optical signal, converts the optical signal into an electrical signal, and outputs the electrical signal to the

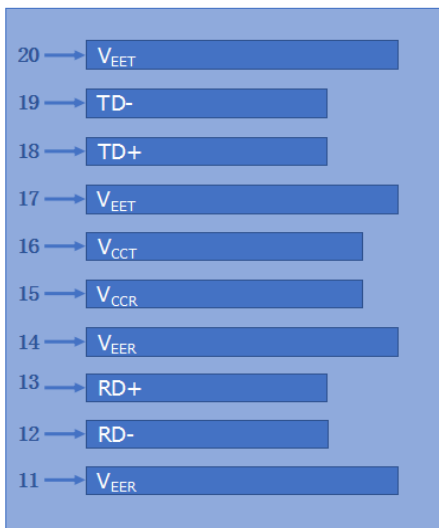
limiting amplifier. The electrical signal is further amplified by the limiting amplifier, then outputs a fixed-amplitude electrical signal to the host. When the amplitude of the electrical signal received from the incident light conversion of the opposite optical transceiver module is lower than the set threshold, the module reports that the received signal is lost, the RX_LOS pin is high (logic "1"), which can be used to diagnose whether the physical signal is normal. The signal is operated in TTL level. The microprocessor inside the module monitors the module's operating voltage, temperature, transmitted optical power, received optical power, and laser bias current value in real time. The host acquires this information over a 2-wire serial bus.

Dimensions



ALL DIMENSIONS ARE ±0.2mm UNLESS OTHERWISE SPECIFIED
UNIT: mm

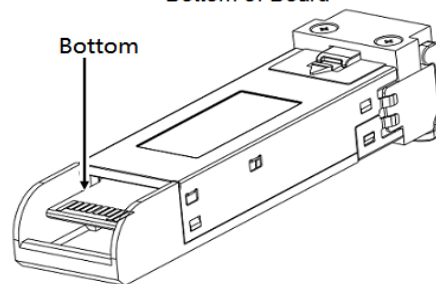
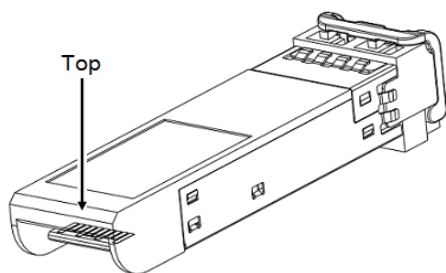
Electrical Pad Layout



Top of Board



Bottom of Board



Pin Assignment

PIN #	Symbol	Description	Remarks
1	V _{EET}	Transmitter ground (common with receiver ground)	1
2	TX_FAULT	Transmitter Fault. Not supported	
3	TX_DISABLE	Transmitter Disable. Laser output disabled on high or open	2
4	MOD_DEF(2)	Module Definition 2. Data line for serial ID	3
5	MOD_DEF(1)	Module Definition 1. Clock line for serial ID	3
6	MOD_DEF(0)	Module Definition 0. Grounded within the module	3
7	Rate Select	No connection required	
8	LOS	Loss of Signal indication. Logic 0 indicates normal operation	4
9	V _{EER}	Receiver ground (common with transmitter ground)	1
10	V _{EER}	Receiver ground (common with transmitter ground)	1
11	V _{EER}	Receiver ground (common with transmitter ground)	1
12	RD-	Receiver Inverted DATA out. AC coupled	
13	RD+	Receiver Non-inverted DATA out. AC coupled	
14	V _{EER}	Receiver ground (common with transmitter ground)	1
15	V _{CCR}	Receiver power supply	
16	V _{CCT}	Transmitter power supply	
17	V _{EET}	Transmitter ground (common with receiver ground)	1
18	TD+	Transmitter Non-Inverted DATA in. AC coupled	
19	TD-	Transmitter Inverted DATA in. AC coupled	
20	V _{EET}	Transmitter ground (common with receiver ground)	1

Notes:

1. Circuit ground is isolated from chassis ground
2. Disabled: T_{DIS} > 2V or open, Enabled: T_{DIS} < 0.8V
3. Should Be pulled up with 4.7k – 10k ohm on host board to a voltage between 2V and 3.6V
4. LOS is open collector output

References

1. [Small Form Factor Pluggable \(SFP\) Transceiver Multi-Source Agreement \(MSA\), INF-8074i.](#)
2. [Digital Diagnostics Monitoring Interface for Optical Transceivers –SFF-8472.](#)
3. Bellcore GR-253 and ITU-T G.957 Specifications.